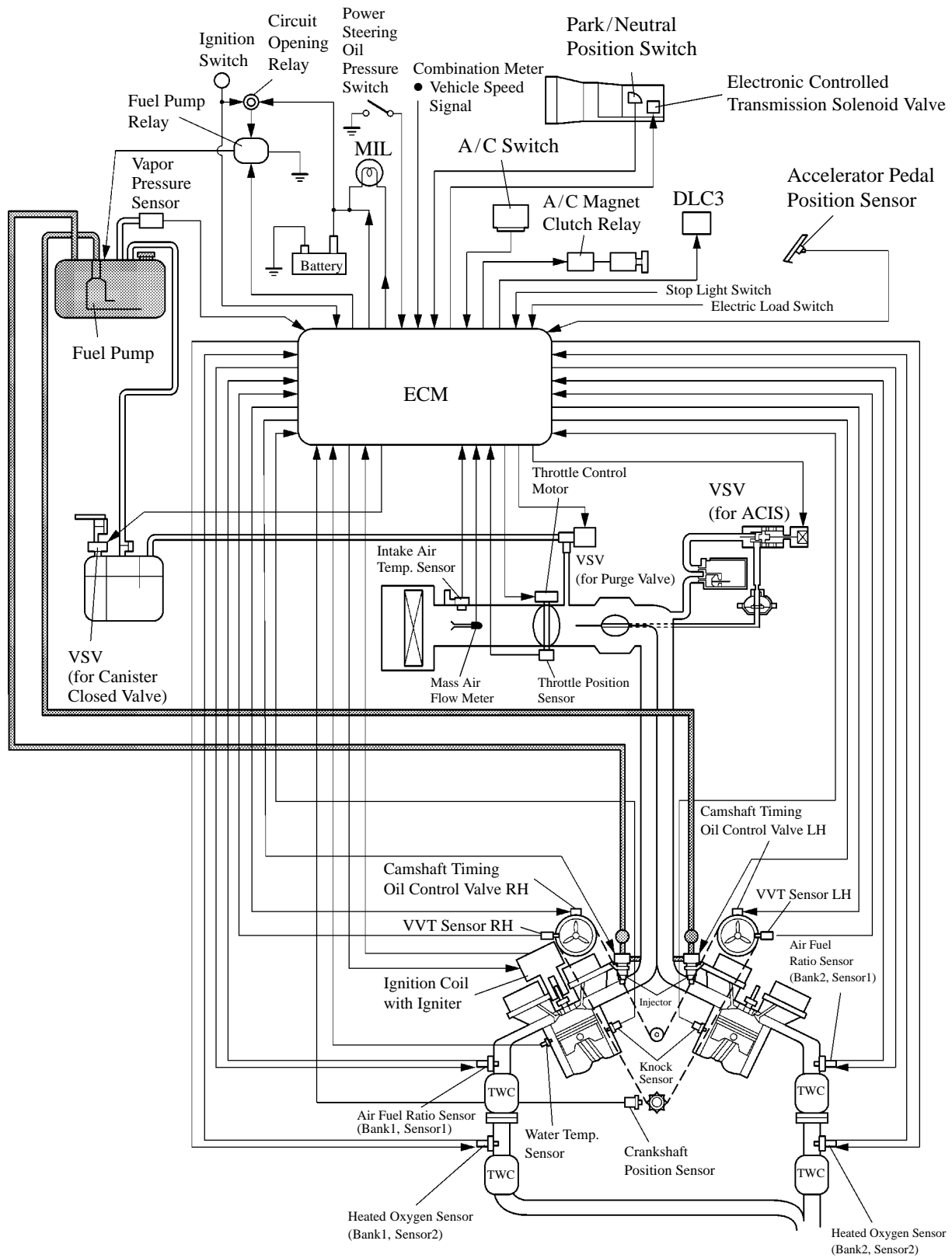
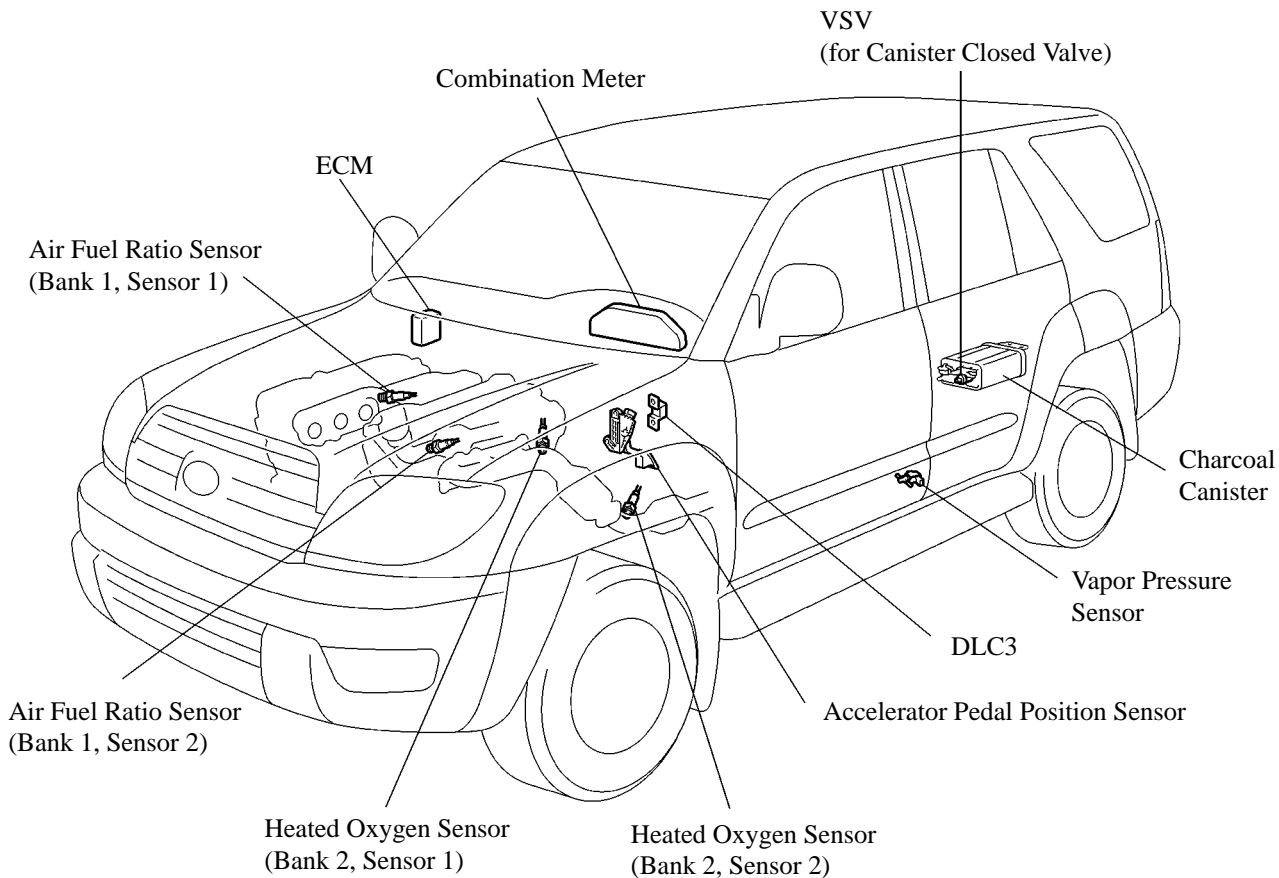


### 3. Engine Control System Diagram



### 4. Layout of Main Components



NF

