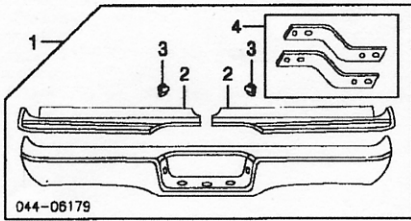


TOYOTA 4RUNNER 2003

REAR BUMPER Cont'd



044-06179

1 Bumper Assy			
Black	00228-34950-01	.7	194.99
Chrome	00228-34950-13	.7	267.41
2 Pad, Step	R/L 00228-34959-8	.3	31.75
3 Housing, Lamp	R/L 00228-34938	.1	10.06
4 Bracket Set, Mounting	00228-34939	#.3	26.03
<i>#w/Bumper Assy Removed</i>			

TOYOTA 4RUNNER 2003

SECTION INDEX

A/C HEATER/VENTILATION.....	1651
A/C REFRIGERANT CAPACITIES.....	1651
ABS/BRAKES.....	1653
AIR BAG SYSTEM.....	1652
AIR CLEANER.....	1657
CENTER CONSOLE.....	1660
CLEAR COAT IDENTIFICATION.....	1648
COOLING.....	1649
COWL & DASH.....	1659
CRUISE CONTROL SYSTEM.....	1653
ELECTRICAL.....	1658
EMISSION SYSTEM.....	1658
ENGINE OIL COOLER.....	1650
ENGINE UNDER COVER.....	1657
ENGINE/TRANS.....	1656
ENGINE/TRANS MOUNTS.....	1657
EXHAUST.....	1657
FRAME.....	1653
FRONT BUMPER.....	1648
FRONT DOOR.....	1663
FRONT DRIVE AXLE.....	1655
FRONT FENDER.....	1651
FRONT LAMPS.....	1649
FRONT SEAT.....	1662
FRONT STEERING LINKAGE/GEAR.....	1655
FRONT SUSPENSION.....	1654
FUEL TANK.....	1668
GRILLE.....	1649
HOOD.....	1649
INFORMATION LABELS.....	1648
INSTRUMENT PANEL.....	1659
LIFTGATE.....	1667
PAINT CODE LOCATION.....	1648
QUARTER GLASS.....	1667
QUARTER PANEL.....	1666
REAR BODY.....	1668
REAR BUMPER.....	1669
REAR DOOR.....	1664
REAR LAMPS.....	1669
REAR SEAT.....	1662
REAR SUSPENSION.....	1668
ROCKER/PILLARS/FLOOR.....	1661
ROOF.....	1665
SEAT BELTS.....	1662
SPECIAL CAUTIONS.....	1648
STEERING PUMP.....	1656
STEERING WHEEL/COLUMN.....	1656
SUNROOF.....	1666
TRANS OIL COOLER.....	1650
UNDERHOOD DIMENSIONS.....	1652
WHEEL.....	1653
WINDSHIELD.....	1659

SPECIAL CAUTIONS

SUPPLEMENTAL RESTRAINT SYSTEM SRS

Refer to Procedure Explanation 29 for Supplemental Restraint/Air Bag Special Cautions.

PAINT CODE LOCATION

Paint code located on left lock pillar.

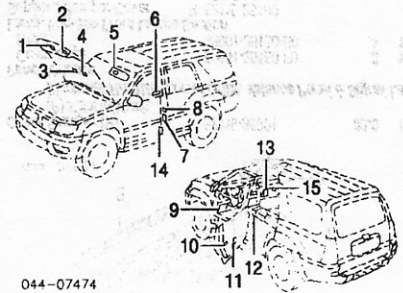
CLEAR COAT IDENTIFICATION

All colors are clear coat. White Pearl (Code 070) is three stage.

INFORMATION LABELS

Illustration Located in Next Column

1 Label, Eng Service	11296-50290	1.86
2 Label, Coolant Caution	88723-35070	3.03
3 Label, Vacuum 6 Cyl	17792-31150	1.60



044-07474

8 Cyl	17792-50180	.80
4 Label, Emission 8 Cyl	11298-31030	.80
	11298-50350	.80
5 Label, Transfer Information 6 Cyl		
Type A	36369-35550	4.40
Type B	36369-35570	4.40
8 Cyl		
Type A	36369-35580	4.40
Type B	36369-35590	4.40
6 Label, Theft Warning	74515-14010	1.69
7 Label, Cover	74571-35020	3.54
8 Label, Tire Pressure	42661-35600	1.80
9 Label, Fuse Block Caution	82683-35160	3.29
10 Label, Child Lock	R/L 69339-AA020	1.66
11 Label, Bottle Holder Info (2Sde)	R/L 74541-48020	1.17
12 Label, Jack Caution	48969-60060	1.80
13 Label, Door Caution	74599-06010	1.40
14 Label, Side Air Bag Caution	R/L 74596-12020	3.09
15 Label, A/C Filter Information	87529-50010	1.66
Label, Brake Fluid-See ABS/Brakes Section		
Label, Caution-See ABS/Brakes Section		
Label, Accumulator-See ABS/Brakes Section		

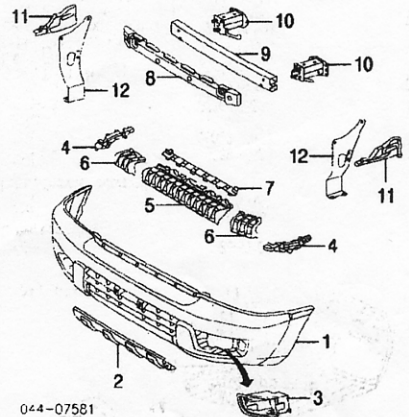
FRONT BUMPER

Use Procedure Explanations 1 and 28 with the following text.

LIMITED MODEL

Refinish Bumper Cover.....	2.0
Refinish Valance Panel.....	.8
R&I Bumper Assy.....	#.8
<i>#Includes R&I/R&R Lower Grille & Signal Lamps</i>	
O/H Bumper Assy (Includes R&I).....	#2.0
<i>#Includes R&I/R&R Lower Grille, Valance Panel & Signal Lamps</i>	
Add to R&R Front Bumper w/Fog Lamps.....	.3
Add to O/H Bumper Assy w/Fog Lamps.....	.3

NOTE: All Parts in this section are included in overhaul unless noted otherwise.



044-07581

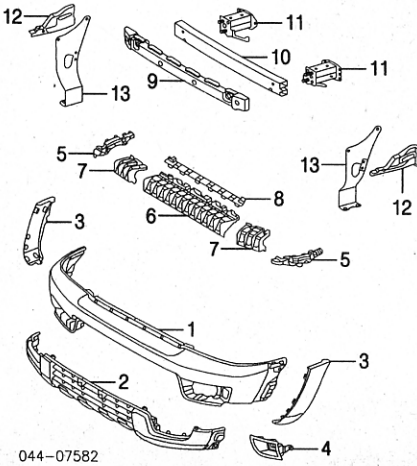
1 Cover, Bumper (P) (P) Paint to Match	52119-35901	#2.0	193.21
<i>#Includes R&I/R&R Lower Grille, Valance Panel & Signal Lamps</i>			
2 Panel, Valance			
Champagne	53901-35150-F0	.3	114.83
Silver	53901-35150-B0	.3	114.83
3 Lamp, Fog-See Front Lamps Section			
4 Support, Bumper Cover	R 52115-35100		29.27
	L 52116-35090		29.27
5 Plate, Reinforcement	52123-35150		34.52
6 Bracket, Reinforcement	R 52145-35050		60.99
	L 52146-35050		69.99
7 Grille Assy, Lower-See Grille Section			
8 Absorber, Bumper	52611-35010		50.57
9 Reinf, Bumper	52021-35050		143.40

10 Bracket, Reinf	R 52025-35050 L 52026-35050	#.3 #.3	56.16 56.16
#w/Bumper Assy Removed, Not Included in O/H			
11 Bracket, Bumper Cover	R 53273-35070 L 53274-35050		16.80 16.80
12 Guide, Grille-See Grille Section			

SPORT, SR5 MODEL

Refinish Bumper Cover	1.6
Refinish Lower Cover	.8
Refinish Front Bumper Extension	R/L .4
R&I Bumper Assy	#.8
#Includes R&I/R&R Lower Grille & Signal Lamps	
O/H Bumper Assy (Includes R&I)	#2.0
#Includes R&I/R&R Lower Grille, Valance Panel & Signal Lamps	
Add to R&R Front Bumper w/Fog Lamps	.3
Add to O/H Bumper Assy w/Fog Lamps	.3

NOTE: All Parts in this section are included in overhaul unless noted otherwise.



044-07582

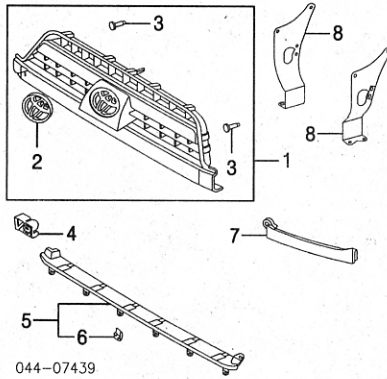
1 Cover, Bumper	Gray 52119-35050 Paint to Match 52119-35050	#2.0 #2.0	100.30 100.30
#Includes R&I/R&R Lower Grille, Valance Panel & Signal Lamps			
2 Cover, Lower	Gray 52129-35020 Paint to Match 52129-35020	.5 .5	97.89 97.89
3 Extension, Cover	R 52112-35140 L 52113-35130	.3 .3	47.52 47.52
4 Cover, Bumper Hole	w/Fog Lamps-See Front Lamps Section w/o Fog Lamps R 52127-35030 L 52128-35020	2 2	13.15 13.15
5 Support, Bumper Cover	R 52115-35100 L 52116-35090		29.27 29.27
6 Plate, Reinforcement	R 52123-35150		34.52
7 Bracket, Reinforcement	R 52145-35050 L 52146-35050		69.99 69.99
8 Grille Assy, Lower-See Grille Section			
9 Absorber, Bumper	52611-35010	IOH	50.67
10 Reinf, Bumper	52021-35050	IOH	143.40
11 Bracket, Reinf	R 52025-35050 L 52026-35050	#.3 #.3	56.16 56.16
#w/Bumper Assy Removed, Not Included in O/H			
12 Bracket, Bumper Cover	R 53273-35070 L 53274-35050		16.80 16.80
13 Guide, Grille-See Grille Section			

GRILLE

Refinish Grille Assy	.8
Refinish Grille Filler	R/L .5
R&I Grille	.3

Illustration Located in Next Column

1 Grille Assy	Black (Code 202) 53100-35860-C0 Blue (Code 8Q0) 53100-35860-J0 Champange (Code 587) 53100-35860-F0 Gray (Code 1E9) 53100-35860-B1 Grayish Blue (Code 8F3) 53100-35860-J1 Green (Code 6Q7) 53100-35860-G0 Metallic 53100-35870 Red (Code 3P1) 53100-35860-D0 Silver (Code 1D4) 53100-35860-B0 White (Code 056) 53100-35860-A0 White Pearl (Code 070) 53100-35860-A1	.3 .3 .3 .3 .3 .3 .3 .3 .3 .3 .3	129.94 129.94 129.94 129.94 129.94 129.94 136.37 129.94 129.94 129.94 129.94
2 Emblem, Grille	75311-33100	2	17.43
3 Bolt, Grille (Ø)	90109-05092		.51
4 Nameplate, "V8"	75301-35030	2	20.26



044-07439

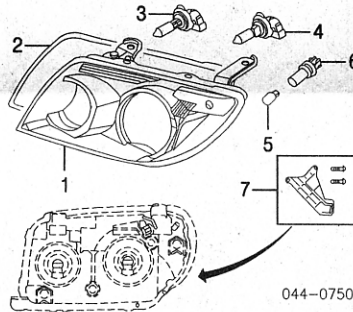
5 Grille Assy, Lower	53102-35010	#.2	34.40
#Included in R&I/R&R or O/H Front Bumper			
6 Clip, Grille (Ø)	90467-13075		4.43
#Included w/Lower Grille Assy			
7 Filler, Grille (P)	R 52512-35080 L 52513-35080	#.4 #.4	21.09 21.09
(P) Paint to Match #Includes R&I/R&R Grille			
8 Guide, Grille			
6 Cyl	R 53153-35010 L 53154-35030		25.41 25.41
8 Cyl	R 53153-35020 L 53154-35040		27.44 27.44

FRONT LAMPS

COMBINATION LAMP

Aim Lamps	R/L	.4
R&I Combination Lamp Assy	R/L	#.4
#Includes R&R Filler Panel		

NOTE: R&R Does Not include aim lamps.

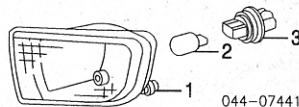


044-07501

1 Lamp, Combination	R 81130-35420 L 81170-35400	#.4 #.4	212.80 212.80
#Includes R&R Filler Panel			
2 Seal, Lamp	R 53395-35020 L 53396-35010		13.69 13.69
Bulb, Lamp			
3 High	R/L 90080-81041	#.2	20.35
4 Low	R/L 90081-13047	#.2	20.38
5 Bulb, Clearance	R/L 90081-15012	#.2	5.89
#R&R One Side Complete			
6 Socket, Clearance Bulb	R/L 90075-60004		7.24
7 Bracket, Retaining	R 81193-35010 L 81194-35010		29.32 29.32

SIGNAL LAMP

R&I Signal Lamp	R/L	#.2
#Included in R&I/R&R or O/H Front Bumper		

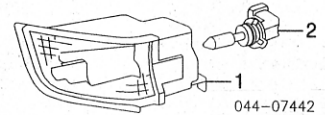


044-07441

1 Lens & Housing w/DRL	R 81511-35400 L 81521-35390	#.2 #.2	46.89 46.89
w/o DRL	R 81511-35410 L 81521-35400	#.2 #.2	46.89 46.89
2 Bulb, Turn Signal			
Clear	R/L 90084-98062	#.2	3.89
Yellow	R/L 90081-15011	#.2	5.14
#R&R One Side Complete, Included in R&I/R&R or O/H Front Bumper			
3 Socket, Bulb w/DRL	R/L 90069-81003		7.69
w/o DRL	R/L 90075-60028		7.20

FOG LAMP

R&I Fog Lamp	R/L	#.3
#Included in R&R or O/H Front Bumper		



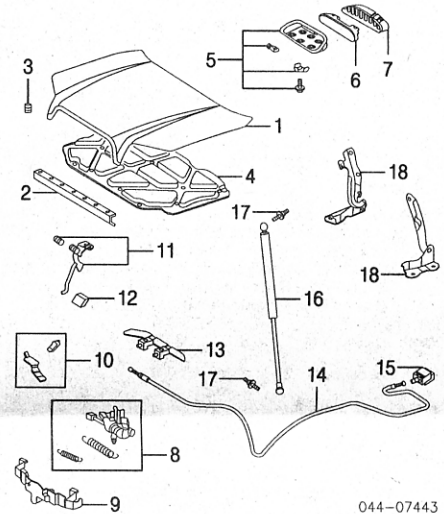
044-07442

1 Fog Lamp	R 81211-35060 L 81221-35040	#.3 #.3	360.79 360.79
2 Bulb, Fog Lamp	R/L 90981-13047	#.3	20.38
#R&R One Side Complete, Included in R&R or O/H Front Bumper			

HOOD

Use Procedure Explanations 4 and 28 with the following text.

Refinish Hood Outside	2.6
Add for Underside	1.3
Refinish Hood Scoop	.5
Refinish Hinge	R/L .2
R&I Hood Assy	.4



044-07443

1 Panel, Hood	Limited, SR5 Model 53301-35140 Sport Model 53301-35150	1.1 1.1	372.12 372.12
2 Seal, Front Hood	53381-35060	.2	20.29
3 Bumper, Hood (2)	90541-15024	.1	4.05
4 Insulator, Hood	Limited, SR5 Model 53341-35130 Sport Model 53341-35140	.3 .3	198.69 230.29
5 Scoop, Hood			
Black (Code 202)	76181-35050-C0	#.4	108.37
Blue (Code 8Q0)	76181-35050-J0	#.4	108.37
Gray (Code 1E9)	76181-35050-B1	#.4	108.37
Green (Code 6Q7)	76181-35050-G0	#.4	108.37
Silver (Code 1D4)	76181-35050-B0	#.4	108.37
Paint to Match	76181-21900	#.4	0.00
6 Plate, Scoop	76192-35020	#.4	16.89
7 Guide, Air Intake	76182-35060	#.4	15.75
#R&R Complete			
8 Lock, Hood			
Limited Model	53510-60170	.2	57.73
Sport, SR5 Model	53510-60160	.2	39.70
9 Protector, Lock	53525-33040		12.38
10 Lever, Release	53540-60010	.1	27.66
11 Catch, Lock	53550-35010	.2	40.64
12 Guide, Hook	53561-30010		4.34
13 Protector, Cable	53602-60020		15.92
14 Cable, Hood	53630-35070	.7	23.38
15 Handle, Hood Release			
Fawn	53601-52010-E0	#.2	32.01
Stone	53601-52010-B2	#.2	32.01
#Included in R&R Hood Cable			
16 Strut, Hood Support	R/L N.A.	#.2	0.00
#w/Hood Removed Deduct .1			
17 Pin, Ball (2)	R/L 68961-30020		6.92
18 Hinge, Hood	R 53410-48020 L 53420-48020	#.2 #.2	25.04 25.04

#w/Hood Removed Nozzle, Washer-See Windshield Section

COOLING

Use Procedure Explanations 5 and 28 with the following text.

RADIATOR SUPPORT

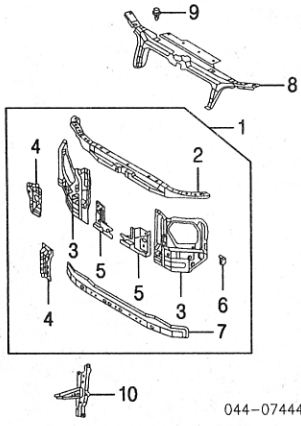
Refinish Radiator Support Assy	1.5
Refinish Upper Tie Bar	.6

TOYOTA 4RUNNER 2003

COOLING Cont'd

RADIATOR SUPPORT Cont'd

Refinish Side Support Panel	R/L	.3
Refinish Lower Tie Bar		1.0
Add to R&R Radiator Support Assy		
To R&R Base Model Mechanical Components	m	#1.1
<i>#Includes R&R A/C Condenser, Oil Cooler, SRS Sensors & Disconnect & Connect A/C & Oil Cooler Lines</i>		
To Aim Lamps		.4
Evacuate & Recharge System	m	1.4
Recover Refrigerant	m	.3

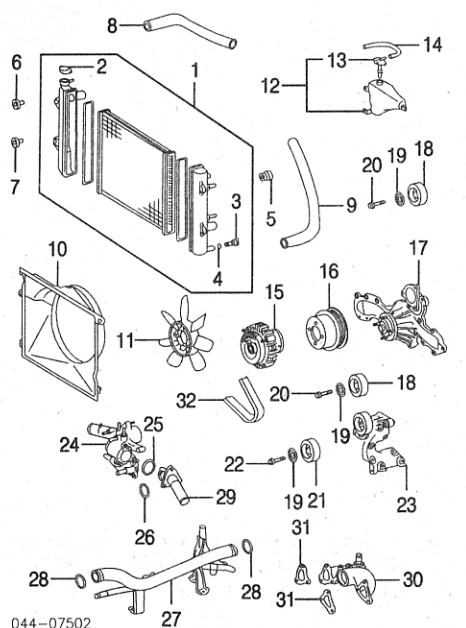


044-07444

1 Support Assy, Radiator	53201-35210	#7.3	414.89
<i>#Includes R&R/R&R Combination Lamp Assemblies, R&I Grille, Air Cleaner Assy, R&R Filler Panels, Radiator, Shroud, Windshield Washer Reservoir, Coolant Overflow Tank, Battery & Tray, Engine Front Cover, Hood Prop Rod & Disconnect & Connect Hood Release Cable, Wiring &/or Harness</i>			
2 Bar, Upper Tie	R 53205-35020	#1.5	82.33
3 Panel, Side Support	R 53211-35160	#2.0	82.33
	L 53212-35100	#2.0	82.33
4 Reinf, Side Support	R 53283-35030	#.5	32.27
	L 53284-35020	#.5	32.27
5 Bracket, Radiator Mtg	R 53268-35040	#.2	32.27
	L 53269-35040	#.2	32.27
6 Bracket, Radiator	R/L 53257-35050	4.00	
7 Bar, Lower Tie	57104-35050	#2.5	92.69
<i>#Included w/Radiator Support Assy</i>			
<i>#w/Necessary Bolted Parts & Assemblies Removed</i>			
8 Seal, Upper Radiator	53292-35010	.3	121.92
9 Clip, Seal (11)	90467-08217		.92
10 Support, Hood Lock	53209-35010		35.51

RADIATOR & COMPONENTS 6 CYL

R&I Radiator Assy	1.2
-------------------	-----



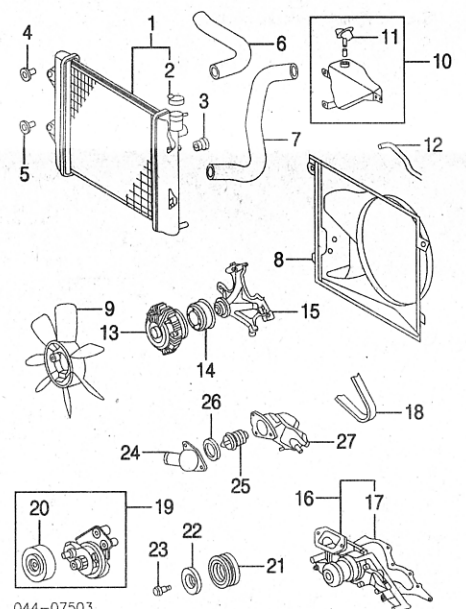
044-07502

1 Radiator Assy	16400-31350	1.2	715.62
2 Cap, Radiator	16401-5B930		12.85

3 Plug, Drain	23322-54010	5.43
4 O-Ring, Plug	16492-21050	2.16
<i>#Included w/Radiator Assy</i>		
5 Bushing, Rubber (2/Side)	R/L 16547-50010	8.23
Sleeve, Bushing		
6 Upper	R/L 16533-50090	6.37
	L 16534-50050	6.37
7 Lower	R/L 16534-50050	6.37
8 Hose, Upper Radiator	16571-31130	#.6
9 Hose, Lower Radiator	16572-31170	#.9
<i>#R&R Both Upper & Lower 1.1</i>		
10 Shroud, Fan	16711-31200	#.8
11 Fan, Radiator	16361-31060	94.70
<i>#R&R Complete</i>		
12 Reservoir Assy, Coolant	16470-50140	.3
13 Cap, Reservoir	16405-50050	10.17
<i>#Included w/Coolant Reservoir Assy</i>		
14 Hose, Reservoir	16567-31010	4.98
15 Clutch, Fan	16210-31020	#.8
<i>#Includes R&R Fan & Shroud</i>		
16 Pulley, Fan	16371-31040	#.3
<i>#w/Fan Clutch Removed</i>		
17 Pump, Water	16100-31070	m
18 Pulley, Idler (2)	16604-31010	d129.18
19 Plate, Pulley (3)	16659-31010	48.39
20 Bolt, Pulley (2)	91512-81035	1.86
21 Pulley, Belt Idler	16603-31010	.89
22 Bolt, Pulley	91512-81050	55.16
23 Tensioner, Belt	16620-31011	1.11
24 Housing, Inlet w/Oil Cooler	16323-31020	.7
w/Oil Cooler	16323-31010	1.0
O-Ring, Housing		77.42
25 Upper	16323-31010	1.0
26 Lower	16325-31010	77.42
27 Pipe, Water	16306-31010	1.17
28 O-Ring, Pipe (2)	96761-35031	48.39
29 Inlet, Water	16031-31010	2.89
30 Housing, By-Pass	16356-31010	.7
31 Gasket, Housing (2)	16341-31010	38.70
32 Belt, Drive	93367-D2120	57.73
		5.14
		.5
		80.31

RADIATOR & COMPONENTS 8 CYL

R&I Radiator Assy	1.2
-------------------	-----

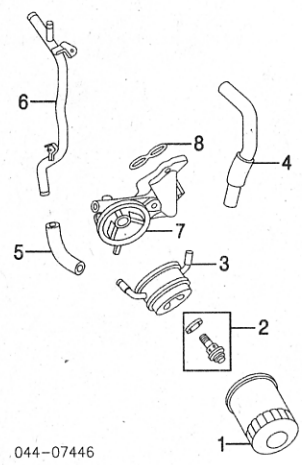


044-07503

1 Radiator Assy	16400-50300	1.2	771.90
2 Cap, Radiator	16401-6A140		12.85
<i>#Included w/Radiator Assy</i>			
3 Bushing, Rubber (2/Side)	R/L 16547-50010	8.23	
Sleeve, Bushing			
4 Upper	R/L 16533-50090	6.37	
5 Lower	R/L 16534-50050	6.37	
6 Hose, Upper Radiator	16571-31130	#.6	
7 Hose, Lower Radiator	16572-50190	#.9	
<i>#R&R Both Upper & Lower 1.1</i>			
8 Shroud, Radiator Fan	16711-50170	#.8	
9 Blade, Fan	16361-50080	#.8	
<i>#R&R Complete</i>			
10 Reservoir Assy, Coolant	16470-50140	.3	
11 Cap, Reservoir	16405-50050	10.17	
<i>#Included w/Coolant Reservoir Assy</i>			
12 Hose, Reservoir	16567-50080	11.25	
13 Clutch, Fan	16210-50090	#.8	
<i>#Includes R&R Fan & Shroud</i>			
14 Pulley, Fan	16371-50040	#.3	
<i>#w/Fan Clutch Removed</i>			
15 Bracket, Cooling Fan	16307-50012	m	
16 Pump Assy, Water	16100-59275	5.0	
17 Gasket, Water Pump	16271-50010	m	
<i>#Included w/Water Pump Assy</i>			

18 Belt, Drive	90916-02463	.5	75.28
19 Tensioner Assy, Belt	16620-0W036	.7	193.86
20 Pulley, Tensioner			
Dayco	16603-0W030	#.2	64.22
Litens	16603-0W010	#.2	63.88
<i>#Included w/Belt Tensioner Assy</i>			
21 Pulley, Idler	16604-50030	#.2	60.30
<i>#w/Belt Removed</i>			
22 Plate, Pulley	16659-50022	3.32	
23 Bolt, Pulley	90105-10246	1.60	
24 Cover, Thermostat	16321-50020	#1.0	
25 Thermostat	90916-03100	#1.0	
26 Gasket, Thermostat	16346-50010	#1.0	
27 Housing, Thermostat	16032-0F010	#1.0	
<i>#R&R Complete</i>			

ENGINE OIL COOLER



044-07446

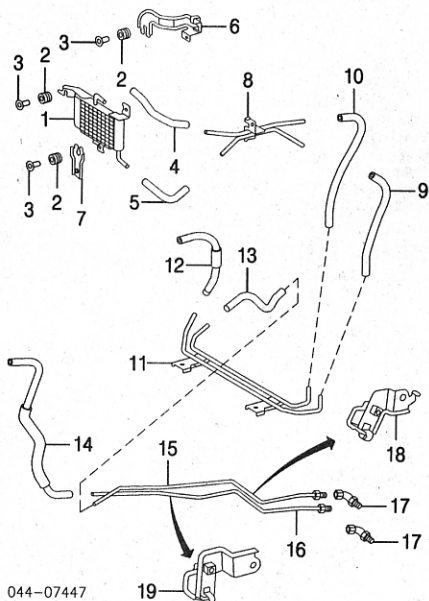
1 Filter, Oil	90915-20004	m	.3	9.62
2 Valve, Relief				
6 Cyl	15695-22010	m	0.00	
8 Cyl	15695-50010	m	10.60	
3 Cooler, Eng Oil				
6 Cyl	15710-31010	m	1.3	577.29
8 Cyl	15710-50070	m	1.3	644.99
4 Hose, Feed				
6 Cyl	15777-31010	m	.4	11.97
8 Cyl	15777-50060	m	.4	12.02
5 Hose, Return				
6 Cyl	15778-31010	m	.4	16.09
8 Cyl	16282-50070	m	.4	4.98
6 Pipe, Oil Cooler				
8 Cyl	15767-50110	m		28.67
7 Bracket, Oil Filter				
6 Cyl	15671-31010			89.96
8 Cyl	15609-50130			43.48
8 Gasket				
6 Cyl	15692-31010			3.52
8 Cyl	15692-50020			.69

TRANS OIL COOLER

R&I Trans Oil Cooler	m	.4
----------------------	---	----

Illustration Located in Next Column

1 Cooler, Trans Oil	32910-60150	m	.4	305.77
2 Insulator, Cooler (3)				
6 Cyl	90099-32130			2.03
8 Cyl	88467-14070			.11
3 Grommet, Mounting (3)	90099-32130			2.03
4 Hose, Inlet	32942-60410	m	#.3	22.52
5 Hose, Outlet	32943-60320	m	#.3	17.26
<i>#R&R Both .5</i>				
6 Bracket, Upper Mtg	32913-60240			13.32
7 Bracket, Lower Mtg	32913-60250			6.06
8 Hose, Cooler Hse	32907-60090	m	.8	25.95
9 Hose, Feed	32943-60300	m	#.7	27.75
10 Hose, Return				
6 Cyl	32943-60270	m	#.7	35.15
8 Cyl	32943-60260	m	#.7	28.78
<i>#R&R Both .9</i>				
11 Tube, Oil Cooler	32907-60070	m	.7	55.16
12 Feed				
6 Cyl	90445-17097	m	#.7	14.89
8 Cyl	32943-60250	m	#.7	35.15
13 Return				
6 Cyl	32942-60400	m	#.7	25.64
8 Cyl	90445-17103	m	#.7	11.20
<i>#R&R Both .9</i>				
14 Hose, Rear Inlet				
6 Cyl	32943-60280	m	.6	18.15
8 Cyl	32941-60260	m	.6	59.36
15 Tube, Inlet				
6 Cyl	32921-60300	m	#.7	28.32



044-07447

8 Cyl	32921-60330	m	#.7	33.87
16 Tube, Outlet				
6 Cyl	32922-60320	m	#.7	33.87
8 Cyl	32922-60350	m	#.7	28.32
#R&R Both .9				
17 Union, Cooler				
6 Cyl				
Inlet	90407-14024	m		13.55
Outlet	90904-07001	m		25.04
8 Cyl (2)	90407-16037	m		9.00
Bracket, Tube				
18 Upper	32909-60150			15.89
19 Lower	32909-60140			13.23
Order by Application				

A/C REFRIGERANT CAPACITIES

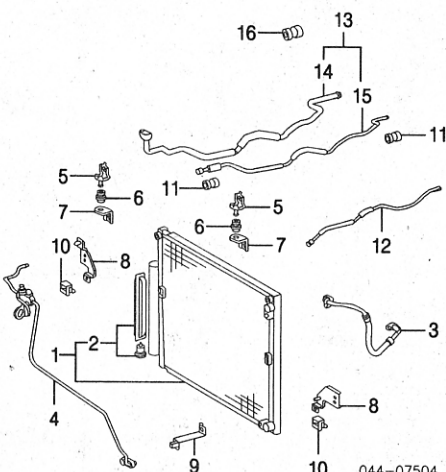
A/C R-134a Refrigerant Capacity
2003: 21.2-24.7 Ozs (1.3-1.5 Lbs)

A/C /HEATER/VENTILATION

Use Procedure Explanation 6 with the following text.

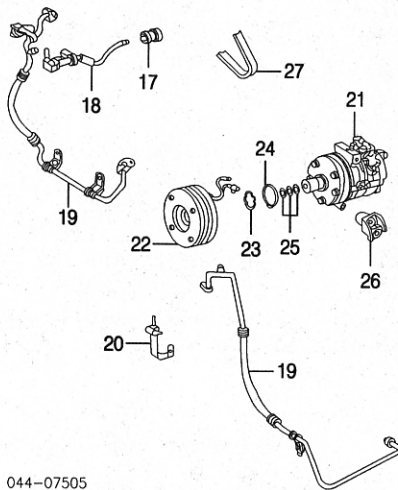
R&I Condenser Assy	m	1.0
Evacuate & Recharge System	m	1.4
Recover Refrigerant	m	.3

NOTE: R&R Does Not include recover, evacuate and recharge system.



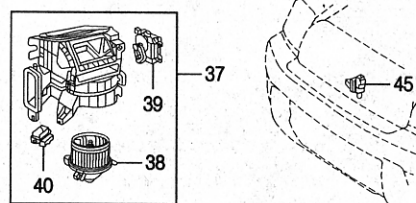
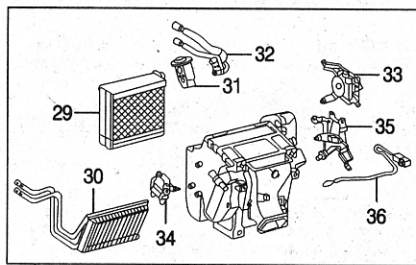
1 Condenser Assy	88461-35150	m	1.0	345.96
2 Drier, Receiver	88474-17010	m	1.0	247.25
Included w/Condenser Assy				
3 Hose, Discharge				
6 Cyl	88703-35010	m	.5	115.63
8 Cyl	88703-35020	m	.5	123.76
4 Pipe, Condenser				
6 Cyl	88710-35540	m	1.0	155.51
8 Cyl	88710-35550	m	1.0	157.77
5 Bracket, Mounting	R/L 88688-35620			3.76
6 Bushing, Mounting	R/L 88467-28050			3.16

7 Upper	R/L 88688-35630			2.00
8 Lower	R/L 88688-35640			8.16
9 Front	88688-35570			7.37
10 Cushion, Condenser	R/L 88467-35080			6.92
11 Clamp, Hose (2)	88718-02170			3.58
12 Pipe, Condenser				
6 Cyl	88716-35620	m	1.0	82.50
13 Tube Assy				
8 Cyl	88710-35550	m	1.2	157.77
14 Pipe, Suction				
8 Cyl	88717-35200	m	.7	45.44
15 Pipe, Refrigerant				
8 Cyl	88716-35650	m	.7	82.50
Included w/Tube Assy				
16 Clamp, Pipe				
8 Cyl	88718-02160			3.95



044-07505

17 Clamp, Pipe				
6 Cyl	88718-02160			3.95
18 Pipe, Suction				
6 Cyl	88707-35010	m	.6	68.85
19 Hose, Suction				
6 Cyl	88704-35010	m	.8	147.51
8 Cyl	88704-35020	m	.8	169.84
20 Bracket, Pipe				
8 Cyl	88688-35670			9.05
21 Compressor				
6 Cyl	88320-35700	m	1.6	1016.01
8 Cyl	88320-35690	m	1.6	1196.66
22 Clutch, Compressor				
6 Cyl	88410-35430	m	#.5	309.71
8 Cyl	88410-0C040	m	#.5	319.12
#w/Compressor Removed				
23 Ring, Snap	90099-07065			1.71
24 Washer	90099-07114			1.00
25 Washer Kit	88335-14020			1.24
26 Stay, Compressor				
8 Cyl	88433-35020			17.78
27 Belt, Drive-See Cooling Section				



044-07523

28 Evaporator Assy				
Limited Model	87050-35010	m	#2.7	1628.87

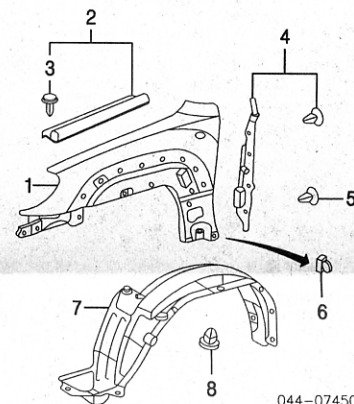
Sport, SR5 Model	87050-35020	m	#2.7	1503.03
29 Core, Evaporator	88501-35100	m	#3.0	260.09
30 Cors, Heater	87107-35100	m	#3.4	287.23
31 Valve, Expansion	88515-35020	m		96.68
32 Tube, Expansion Valve	88710-35520	m		57.09
33 Servo, Damper Door	87106-35120	m		136.75
34 Servo, Heater	87106-35130	m		124.52
35 Servo, Damper	87106-35140	m		138.73
36 Thermistor, Cooler	88625-48030	m		0.00
Included w/Evaporator Assy				
37 Blower Assy	87130-35150	m	#1.5	528.98
38 Fan & Motor	87103-35040	m	#1.7	125.65
#w/Glove Box & Center Console Removed				
39 Servo, Blower	87106-35150	m		124.52
40 Control, Blower Motor	87165-13010	m		150.64
Included w/Blower Assy				
41 Amplifier, A/C				
Limited Model	88650-35200	m		458.09
Sport, SR5 Model	88650-35190	m		458.09
42 Filter Assy, Air	88508-20120	m	.5	25.60
43 Element, Air Filter	87139-47010	m	.3	24.37
44 Plate, Air Filter	88899-41010	m		12.75
Included w/Air Filter Assy				
45 Sensor, Thermistor	88790-22131	m		15.44

FRONT FENDER

Use Procedure Explanations 7 and 28 with the following text.

SHEET METAL

Refinish Fender Outside	R/L	2.2
Add to Edge Fender	R/L	.5
Refinish Apron Assy	R/L	1.0
R&I Fender Assy	R/L	#2.0
#Includes R&I Front Bumper & R&I/R&R Combination Lamp Assy		



044-07450

1 Fender	R 53801-35530	#2.6	255.45
	L 53802-35620	#2.6	255.45
#Includes R&I Front Bumper & R&I/R&R Combination Lamp Assy			
2 Seal Assy, Fender	R/L 53388-35010	.2	12.20
3 Clip, Seal (5)	R/L 90467-08011-83		.34
Included w/Fender Seal Assy			
4 Protector, Side Fender	R 53827-35030		34.52
	L 53828-35050		34.52
5 Clip, Protector (3)	R/L 90467-09169-C0		1.12
6 Spacer, Fender	R/L 53835-35020		2.60
7 Liner, Fender	R 53875-35080	.3	84.20
	L 53876-35080	.3	84.20
8 Clip, Liner			
Right (12)	90189-06065		.74
Left (11)	90189-06065		.74

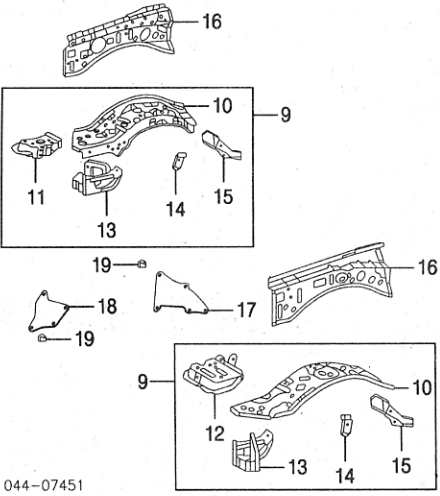
Illustration Located in Next Column

9 Apron Assy, Fender	R 53701-3D900	4.5	218.32
	L 53702-3D900	4.5	218.32
10 Apron, Fender	R 53711-35750	4.5	109.17
	L 53712-35750	4.5	110.77
11 Tray, Battery	R 53771-35080	.5	33.55
12 Support, Battery	L 53704-35080	.5	47.10
13 Bracket, Fender Mounting	R 57021-35060		77.77
	L 57022-35050		77.77
14 Bracket, Apron	R/L 53728-35060		4.97
15 Plate, Fender	R 35133-35020		15.06
	L 55134-35020		15.06
Included w/Fender Apron Assy			
16 Extension, Apron	R 53713-35010	3.5	76.05
	L 53714-35010	3.5	76.05
17 Shield, Fender	R/L 53886-35020		18.38
18 Seal, Apron	R/L 53735-35150		16.89
19 Clip, Apron	90467-10186		1.40
As Required			

TOYOTA 4RUNNER 2003

FRONT FENDER Cont'd

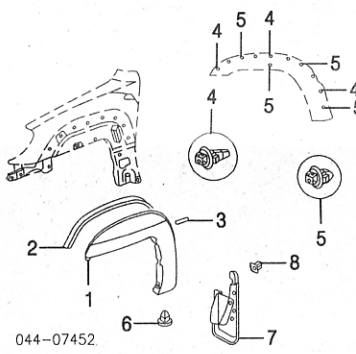
SHEET METAL Cont'd



044-07451

EXTERIOR TRIM

Refinish Fender Flare.....	R/L	1.0
R&L Fender Flare.....	R/L	#1.6
<i>#Includes R&L Front Bumper, R&L/R&R Fender Liner, Mudguard & Rocker Moulding, w/Step Add .4</i>		
R&L Mudguard.....	R/L	.2



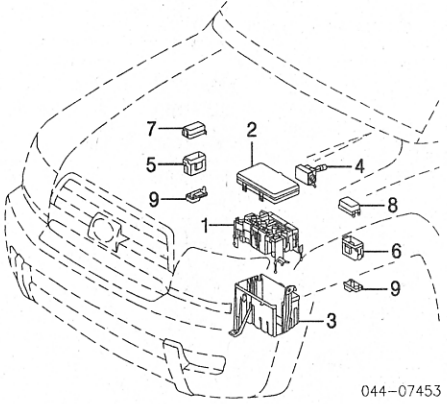
044-07452

1 Flare, Fender			
Limited Model			
Black (Code 202)	R	53847-35100-C0	#1.6 298.37
	L	53848-35100-C0	#1.6 298.37
Blue (Code 8Q0)	R	53847-35100-J0	#1.6 298.37
	L	53848-35100-J0	#1.6 298.37
Champagne (Code 587)	R	53847-35100-F0	#1.6 298.37
	L	53848-35100-F0	#1.6 298.37
Gray (Code 1E9)	R	53847-35100-B1	#1.6 298.37
	L	53848-35100-B1	#1.6 298.37
Grayish Blue (Code 8R3)	R	53847-35100-J1	#1.6 298.37
	L	53848-35100-J1	#1.6 298.37
Silver (Code 1D4)	R	53847-35100-B0	#1.6 298.37
	L	53848-35100-B0	#1.6 298.37
White Pearl (Code 070)	R	53847-35100-A0	#1.6 298.37
	L	53848-35100-A0	#1.6 298.37
Sport, SR5 Model	R	53847-35110	#1.6 179.02
	L	53848-35110	#1.6 179.02
<i>#Includes R&L Front Bumper, R&L/R&R Fender Liner, Mudguard & Rocker Moulding, w/Step Add .4</i>			
2 Pad, Fender Flare	R/L	75691-35020	7.95
3 Pad, Moulding Clip, Flare	R/L	75696-35050	3.23
4 Type 1 (3/Side)	R/L	75395-35070	2.34
5 Type 2 (8/Side)	R/L	75396-35020	.69
6 Grommet, Flare	R/L	90189-06028	.66
7 Mudguard, Front	R	76621-35060	.2 24.98
	L	76622-35060	.2 24.98
8 Nut, Plastic	R/L	90189-06006	.94

ELECTRICAL COMPONENTS

Illustration Located in Next Column

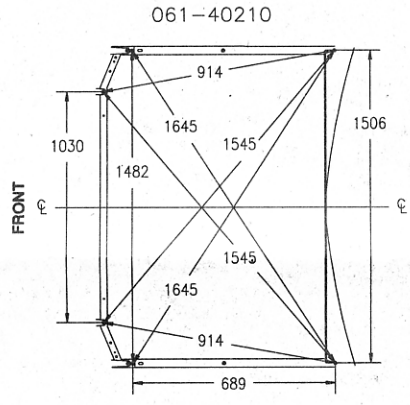
1 Block, Relay		82741-35110	m	132.24
2 Cover, Upper Block		82662-3D100		35.50
3 Cover, Lower Block		82663-35090		90.03



044-07453

4 Resistor, Fuel Pump Box, Relay		23080-50130		47.10
5 Side		82742-35050	m	15.43
6 Rear		82742-35060	m	15.43
7 Cover, Upper		82662-3D150		8.83
8 Side		82662-3D160		8.83
9 Rear		82663-35100		8.26

UNDERHOOD DIMENSIONS



061-40210

AIR BAG SYSTEM

NOTE 1: R&R Does Not include disable and enable or diagnose Air Bag System.

NOTE 2: Refer to Procedural Explanation 30 for Supplemental Restraint/Air Bag System Component Inspection and Replacement Information.

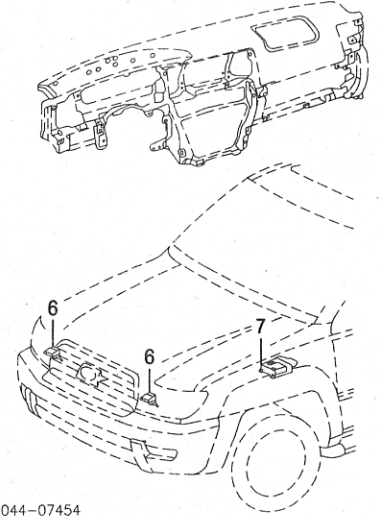
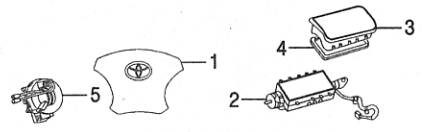
NOTE 3: For Air Bag System Service procedures, refer to Manufacturer's Service Repair Manual or Mitchell's Air Bag Service and Repair Manual.

FRONT

Disable & Enable Air Bag System.....	m	.3
Diagnose Air Bag System (If Required).....	m	#.5
<i>#Includes Disconnect & Connect Scan Tool & Retrieve/Clear Trouble Codes</i>		

Illustration Located in Next Column

1 Module, Driver Air Bag				
Limited Model		45130-35430-B0	m	.3 580.21
Sport, SR5 Model				
w/Switch		45130-35430-B0	m	.3 580.21
w/o Switch		45130-35420-B0	m	.3 580.21
2 Module, Passenger Air Bag		73900-35050	m	#.5 615.84
<i>#w/Instrument Panel Removed</i>				
3 Door, Passenger Air Bag		50540-35050	m	#.3 75.48
4 Cushion, Door		55356-35040	m	#.3 3.43
<i>#R&R Complete, Included in R&R Passenger Air Bag Module</i>				
5 Cable, Spiral		84306-33090	m	.7 222.86
<i>¶Included w/Turn Signal Switch Assy-listed in Steering Wheel/Column Section</i>				
6 Sensor, Front Impact	R/L	89173-39335	m	#.5 54.79
<i>#w/Grille Removed</i>				
7 Control Unit, Air Bag				

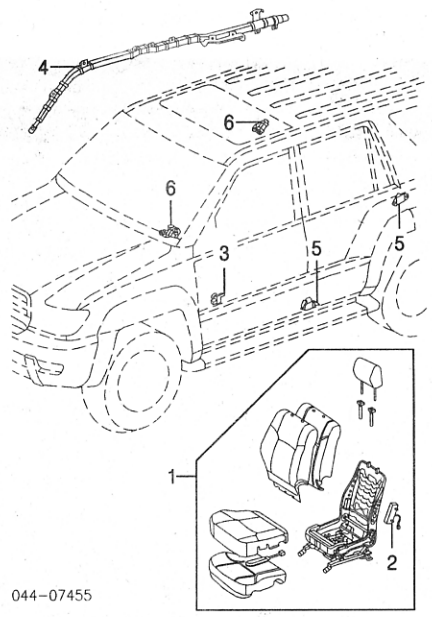


044-07454

w/Side Air Bags	89170-35180	m	#.5	383.95
w/o Side Air Bags	89170-35160	m	#.5	383.95
<i>#w/Center Console Removed</i>				

SIDE

Disable & Enable Air Bag System.....	m	.3
Diagnose Air Bag System (If Required).....	m	#.5
<i>#Includes Disconnect & Connect Scan Tool & Retrieve/Clear Trouble Codes</i>		



044-07455

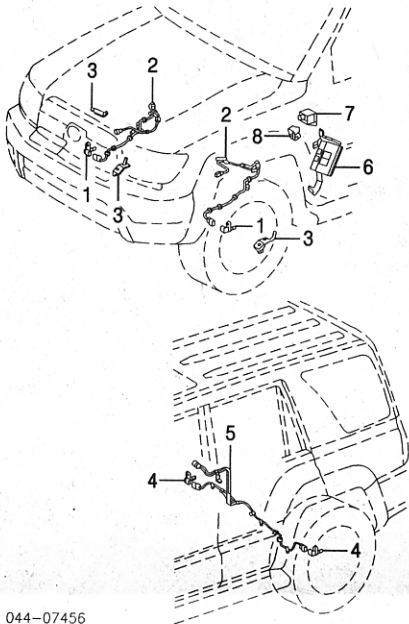
1 Seat Assy, Front				
Limited Model				
Driver Side				
Fawn	71200-3D820-E0	m	.3	3211.61
Stone	71200-3D820-B0	m	.3	3211.61
Passenger Side				
Fawn	71100-3G320-E0	m	.3	2978.95
Stone	71100-3G320-B0	m	.3	2978.95
Sport, SR5 Model				
Driver Side				
Dark Gray	71200-3D780-B1	m	.3	2364.90
Fawn	71200-3D780-E0	m	.3	2364.90
Stone	71200-3D780-B0	m	.3	2364.90
Passenger Side				
Dark Gray	71100-3G260-B1	m	.3	2125.50
Fawn	71100-3G260-E0	m	.3	2125.50
Stone	71100-3G260-B0	m	.3	2125.50
2 Module, Side Air Bag-Serviced w/Seat Assy				
3 Sensor, Seat Position				
Driver Side	89178-06020	m	#.5	58.73

#w/Seat Removed			
4 Module, Side Curtain Air Bag			
Driver Side	62180-35010	m #1.1	612.86
Passenger Side	62170-35010	m #1.1	612.86
#w/Headliner Removed			
Sensor, Side Impact			
5 Driver Side			
Front	89830-35010	m #3	99.07
Rear	89834-35010	m #3	249.67
6 Passenger Side			
Front	89860-35010	m #3	99.07
Rear	89833-35010	m #3	249.67

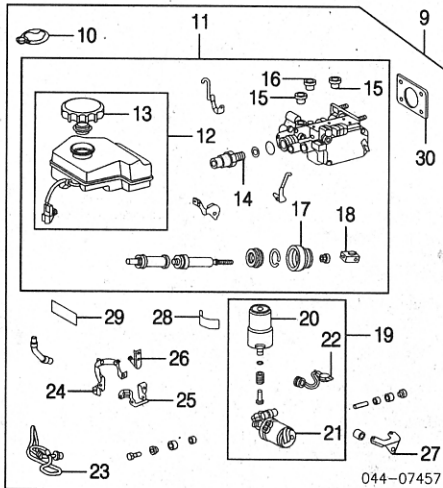
ABS/BRAKES

Bleed Brake System.....m 5

NOTE: R&R Does Not include bleed brake system.



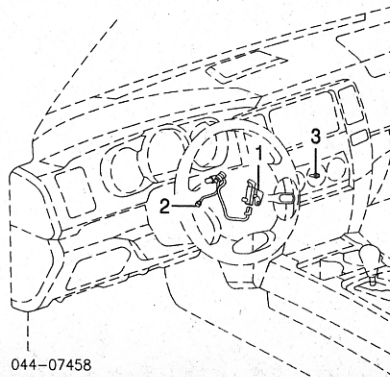
1 Sensor, Front ABS	R 89542-60050	m #7	180.28
	L 89543-60050	m #7	180.28
#R&R Both .8			
2 Harness, Front Sensor	R 89516-60070	m	44.90
	L 89516-60080	m	44.90
3 Bracket, Front Harness			
Upper	R/L 88266-60460		5.29
Lower	R 88266-60540		8.43
	L 88266-60550		9.17
4 Sensor, Rear ABS	R 89542-60050	m #5	180.28
	L 89543-60050	m #5	180.28
#R&R Both .6			
5 Harness, Rear Sensor	89516-60090	m	92.80
6 Control Unit, ABS	89540-35320	m .6	1269.77
7 Sensor, Yaw Rate	89183-60010	m .5	777.34
8 Buzzer, Skid Control	86652-51010	m	41.30



9 Cylinder Assy, Brake Master	47050-60080	m 1.9	1791.86
10 Label, Brake Fluid	47287-20020		2.80
11 Cylinder/Reservoir Assy, Brake Master			

12 Reservoir Assy, Brake	47025-60080	m 2.3	992.47
13 Cap, Reservoir	47220-60190	m .4	97.43
	47230-30130		7.32
<i>(b) Included w/Brake Reservoir Assy</i>			
14 Switch, Brake Press	89639-30100	m	180.65
Grommet, Master Cylinder			
15 Type 1 (2)	47255-16010	m	8.49
16 Type 2	31417-35010	m	1.97
17 Boot, Master Cylinder	90029-70001	m	4.54
18 Clevis, Push Rod	47264-60020	m	7.57
<i>(a) Included w/Brake Master Cylinder/Reservoir Assy</i>			
19 Pump Assy, Brake Booster	47070-30060	m 2.6	1228.90
20 Accumulator, Booster	47950-30010	m	279.97
21 Pump, Booster	47960-30030	m	1070.85
22 Switch, Control	89639-30100	m	180.65
<i>(a) Included w/Brake Booster Pump Assy</i>			
23 Hose, Actuator	44571-30080	m	8.63
Bracket, Brake Booster			
24 Front	47967-30030		7.00
25 Rear	47967-30020		7.00
26 Side	47967-30040		7.00
27 Lower	47968-30020		4.46
28 Label, Caution	47997-60030		1.66
29 Label, Accumulator	47997-60010		1.66
30 Gasket, Brake Booster	44785-60020	m	1.77
<i>†Included w/Brake Master Cylinder Assy</i>			

CRUISE CONTROL SYSTEM

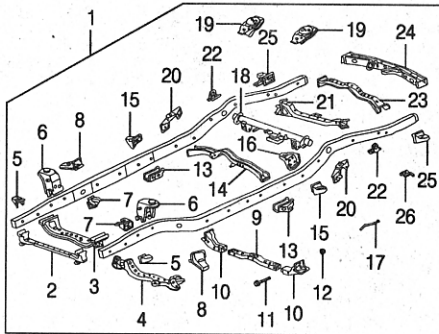


1 Switch, Cruise Control	84632-34010	m .6	28.58
2 Wire, Cruise Control	84633-34010	m	30.07
3 Screw, Mounting (2)	90159-50199		.72

FRAME

Use Procedure Explanation 9 with the following text.

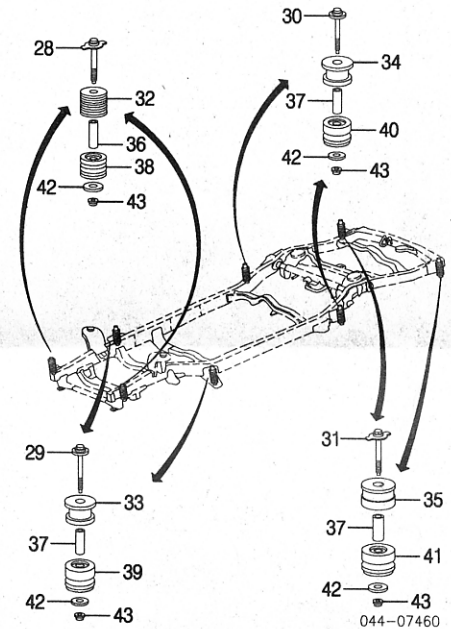
Add to R&R Frame			
w/A/C.....		m .7	
w/Auto Trans.....		m .4	



044-07459			
1 Frame Assy			
6 Cyl			
2WD	51001-3M510	28.0	4451.08
4WD	51001-3M450	30.0	4451.08
8 Cyl			
2WD	51001-3M520	28.0	4451.08
4WD	51001-3M460	30.0	4451.08
2 Crossmember, Auxiliary	51021-35070	2.0	251.90
3 Crossmember, Front	51201-35340		659.08
4 Crossmember, No. 2	51202-35470	1.0	735.45
5 Bracket, Support	R/L 51711-35190		16.72
6 Bracket, Suspension Arm	R 51501-35140		396.74
	L 51502-35140		396.74
7 Bracket, Eng Support			
6 Cyl			
R	51401-35390		52.24
L	51402-35340		53.24
8 Cyl			
R	51401-35410		45.47
L	51402-35360		52.24
8 Bracket, Cab Mount	R 51703-35180		83.25

9 Crossmember, No. 3	L 51704-35160		83.25
2WD			
	51203-35390	1.5	317.12
4WD			
	51203-35370	1.5	193.32
10 Bracket, Crossmember	R 51025-35030		150.99
	L 51026-35030		150.99
11 Bolt, Crossmember	90105-A0009		1.60
12 Nut, Mounting	94150-11001		.74
13 Bracket, Control Link	R 51503-35030		31.78
	L 51504-35020		31.78
14 Crossmember, No. 4	L 51204-35830		192.13
15 Bracket, Cab Mount	R 51707-35090		39.70
	L 51708-35090		39.70
16 Bracket, Fuel Tank	R 77512-35120		23.92
17 Hook, Rear	R 17576-67050		14.29
18 Crossmember, No. 5	L 51205-35280		534.50
19 Bracket, Rear Spring	R 51531-35030		59.36
	L 51541-35030		59.36
20 Bracket, Crossmember	R 51027-35020		69.02
	L 51028-35020		69.02
21 Crossmember, No. 6	L 51206-35060		442.09
22 Bracket, Spring Bumper	R 51593-35030		17.81
	L 51594-35030		17.81
23 Crossmember, Spare Wheel	51949-35010		83.54
24 Crossmember, Rear	51209-35210		659.08
25 Bracket, Cab Mount	R 51706-35060		63.88
	L 51709-35040		84.82
	51963-35110		33.87

26 Hook, Transport			
<i>†Included w/Frame Assy</i>			
27 Bracket, Suspension			
6 Cyl	R 51225-35040		79.34
	L 51226-35060		79.34
8 Cyl	R 51225-35050		79.34
	L 51226-35070		79.34



Bolt, Body Mount			
28 No. 1	R/L 52217-35180		10.00
29 No. 2	R/L 52217-35190		10.00
30 No. 3	R/L 52217-35190		10.00
31 No. 4	R/L 52217-35180		10.00
Cushion, Upper Body Mount			
32 No. 1	R/L 52201-35100		34.84
33 No. 2	R/L 52203-35210		44.18
34 No. 3	R/L 52205-35160		44.18
35 No. 4	R/L 52207-35050		39.70
Sleeve, Mount			
36 No. 1	R/L 90440-18011		16.95
37 No. 2, No. 3, No. 4	R/L 90440-31002		28.69
Cushion, Lower Body Mount			
38 No. 1	R/L 52202-35090		22.12
39 No. 2	R/L 52204-35120		39.70
40 No. 3	R/L 52206-35040		34.84
41 No. 4	R/L 52208-35050		34.84
42 Washer, Body Mounting (4/Side)	R/L 90201-12078		3.88
43 Nut, Body Mount (4/Side)	R/L 94184-01201		1.00

WHEEL

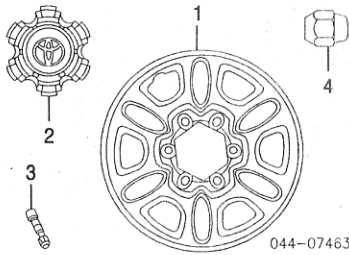
Use Procedure Explanation 10 with the following text.

STEEL WHEEL			
Refinish Wheel.....			.5
Add to R&I Spare Wheel & Tire Assy.....			.2

TOYOTA 4RUNNER 2003

WHEEL Cont'd

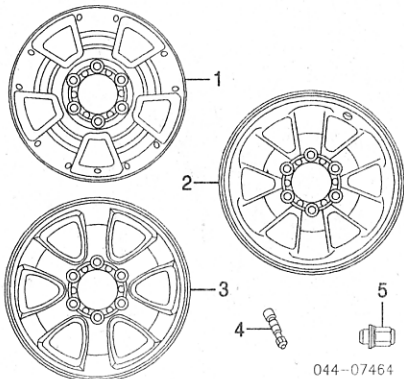
STEEL WHEEL Cont'd



1 Wheel, Steel	42611-35230	3	141.55
2 Cap, Wheel	42603-35820		42.90
3 Stem, Valve	90942-05009		7.89
4 Nut, Wheel	90942-01104		2.95

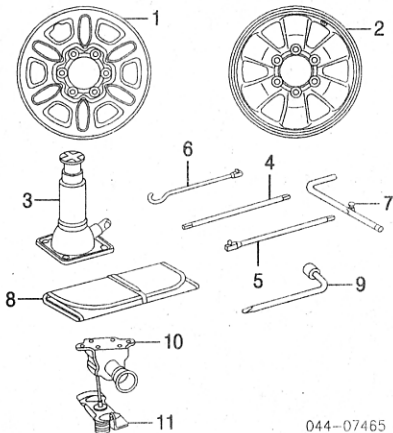
ALLOY WHEEL

Add to R&I Spare Wheel & Tire Assy..... 2



Wheel, Alloy			
1 5 Spoke	42611-35270	3	333.66
2 6 Spoke			
3 16x7"	42611-35260	3	303.21
4 17x7"	42611-60400	3	333.66
5 Stem, Valve	90942-05009		7.89
6 Nut, Wheel	90942-01058		6.03

SPARE WHEEL & HARDWARE



Wheel, Spare			
1 Steel	42611-35240		141.55
2 Alloy	42611-35250		369.14
<i>Order by Application</i>			
3 Jack Extension, Jack Handle	09111-35180		132.67
4 No. 1	09114-35040		11.29
5 No. 2	09114-35050		11.29
6 Rod, Jack Handle	09115-35110		11.72
7 Handle, Jack	09116-35080		13.95
8 Bag, Tool	09120-35160		10.77
9 Wrench, Wheel Nut	09120-35070		13.72
10 Carrier, Spare Wheel	51900-35380		104.52
11 Guide, Carrier	51923-35020		33.87

FRONT SUSPENSION

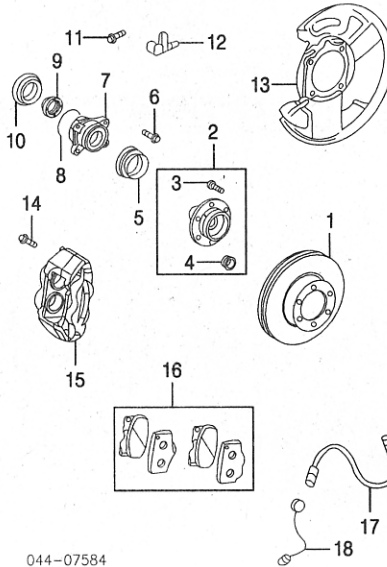
Use Procedure Explanation 11 with the following text.

2WD

R&I Suspension (One Side).....	R/Lm	3.2
O/H Suspension (Includes R&I)		
One Side	R/Lm	4.7
Both Sides	m	8.0
Adjust Front Alignment.....	m	1.5
Adjust Brake System.....	m	5

NOTE 1: R&I/R&R or O/H Does Not include alignment or bleed brake system.

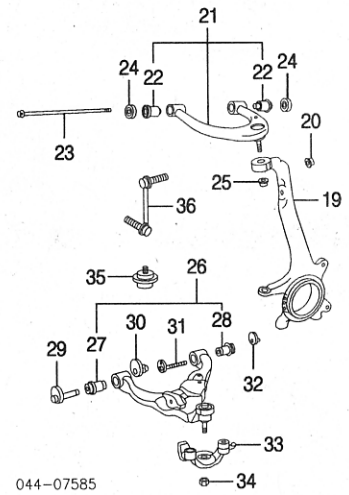
NOTE 2: All Parts in this section are included in overhaul unless noted otherwise.



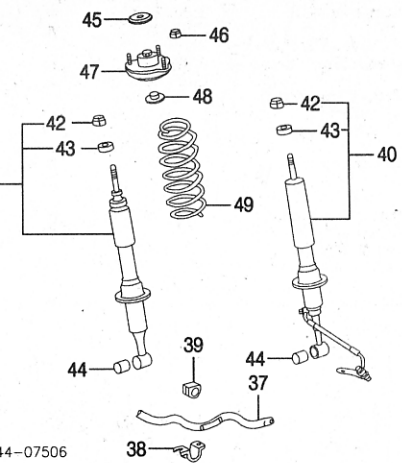
1 Rotor, Brake			
16" Wheels	R/L	43512-35320	m #6 99.60
17" Wheels	R/L	43512-60150	m #6 99.60
#R&R Both 1.0			
2 Hub Assy, Wheel	R/L	43502-60180	m #1.6 146.69
3 Stud, Hub	R/L	90942-02049	m 3.00
4 Plug, Hub	R/L	90339-33003	m 7.41
<i>Included w/Wheel Hub Assy</i>			
5 Spacer, Hub	R/L	90312-96001	m #1.6 10.49
6 Bolt, Mounting	R/L	90119-12369	m 1.74
7 Bearing, Wheel			
Koyo Brand	R/L	43570-60010	m #1.6 140.95
NSK Brand	R/L	43570-60020	m #1.6 129.04
8 O-Ring, Hub	R/L	90301-92003	m #1.6 3.80
9 Nut, Adjusting	R/L	90110-06009	m #1.6 .63
10 Seal, Dust	R/L	43442-35060	m #1.6 14.20
#R&R One Side Complete, R&R Both Sides 3.0, Included in R&R Steering Knuckle			
11 Bolt, Sensor	R/L	43521-35010	m 1.6 13.49
12 Sensor, Front ABS-See ABS/Brakes Section			
13 Shield, Brake Dust			
16" Wheels	R	47781-35160	m #2 55.47
	L	47782-35160	m #2 55.47
17" Wheels	R	47781-60120	m #2 61.93
	L	47782-60120	m #2 61.93
#w/Hub Removed			
14 Bolt, Caliper (2/Side)	R/L	90080-10129	m 1.31
15 Caliper, Brake			
16" Wheels	R	47730-35160	m #5 358.25
	L	47730-0C020	m #5 388.80
17" Wheels	R	47730-60130	m #5 358.25
	L	47750-60130	m #5 358.25
#R&R Both .8, w/Rotor Removed Deduct .3			
16 Pad Kit, Brake		04465-60200	m #1.0 0.00
#Deduct .5 for Each Caliper Removed			
17 Hose, Brake	R/L	90947-02D35	m #3 29.07
#w/Caliper Removed Deduct .2			
18 Tube, Brake	R	47314-35320	m 4.14
	L	47316-35280	m 4.14

Illustration Located in Next Column

19 Knuckle, Steering	R	43211-60170	m #1.9 351.56
	L	43212-60170	m #1.9 351.56
#Includes R&R Rotor, Hub, Bearing, Seals & Splash Shield, R&R Both Sides 3.6			
20 Nut, Link	R/L	90179-12144	m .89
21 Arm Assy, Upper Control	R	48610-60050	m #1.6 435.47
	L	48630-60020	m #1.6 435.47
#w/Steering Knuckle Removed Deduct .6, R&R Both Sides 3.0			



22 Bushing, Control Arm	(2/Side)	R/L	48632-60020	m #2 33.55
#Included w/Upper Control Arm Assy				
#w/Upper Control Arm Removed				
23 Bolt, Upper Arm		R/L	90105-14160	m 10.29
24 Washer, Upper Arm (2/Side)		R/L	90948-02177	m 14.20
25 Nut, Castle		R/L	90171-14011	m 1.12
26 Arm Assy, Lower Control		R	48068-60010	m #2.8 335.54
		L	48069-60010	m #2.8 335.54
#w/Knuckle Removed Deduct 1.5, R&R Both 5.4				
Bushing, Control Arm				
27 Front		R/L	48654-60030	m #2 46.47
28 Rear		R/L	48655-60030	m #2 55.82
#Included w/Lower Control Arm Assy				
#w/Lower Control Arm Removed				
29 Cam, Toe Adjust		R/L	48409-60020	m 15.03
30 Plate, Cam		R/L	48452-35020	m 16.09
31 Bolt, Camber Adj		R/L	48190-60020	m 11.89
32 Washer, Camber Adj		R/L	48198-60011	m 11.40
33 Mount, Ball Joint		R	48625-60010	m #1.1 68.39
		L	48626-60010	m #1.1 68.39
#R&R Both Sides 2.0				
34 Nut, Castle		R/L	90171-16050	m 3.06
35 Bumper, Spring		R/L	48304-60130	m 26.92
36 Link, Stabilizer		R	48820-60050	m #4 76.14
		L	48810-60040	m #4 76.14



37 Bar, Stabilizer			48811-60230	m #9 138.30
#Includes R&R Bushings, Links & Brackets, Not Included in O/H				
38 Bracket, Stabilizer		R	48824-60140	m #4 18.01
		L	48829-60030	m #4 18.01
39 Bushing, Stabilizer		R/L	48815-60180	m #4 11.49
#R&R One Side Complete, Not Included in O/H				
Absorber Assy, Shock				
40 w/Air Susp		R	48510-80089	m #1.0 142.91
		L	48520-39535	m #1.0 142.91
41 w/o Air Susp		R/L	48510-80087	m #1.0 44.23
42 Nut, Shock		R/L	91484-01241	m .89
43 Cushion, Shock		R/L	90948-01056	m #1.0 4.97
#Included w/Shock Absorber Assy				
44 Bushing, Shock		R/L	90903-89012	m #1.0 13.59
45 Retainer, Upper Cushion		R/L	90948-02161	m #4 9.52
46 Nut, Support (3/Side)		R/L	90179-10212	m .69
47 Support, Shock		R/L	48609-60030	m #1.0 65.62
48 Retainer, Lower Cushion		R/L	90948-02159	m #1.0 5.63
49 Spring, Coil				
6 Cyl		R	48131-35500	m #1.0 49.53
		L	48131-35520	m #1.0 50.04
8 Cyl		R	48131-35510	m #1.0 50.04

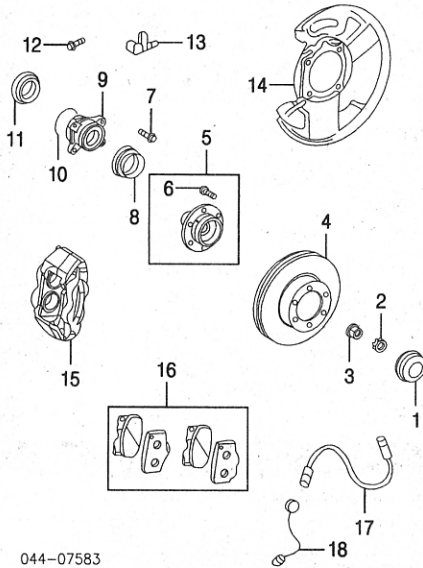
L 48131-35530 m #1.0 50.92
#R&R One Side Complete, R&R Both Sides 1.8

4WD

R&I Suspension (One Side).....	R/Lm	3.7
O/H Suspension (Includes R&I)		
One Side.....	R/Lm	5.7
Both Sides.....	m	10.0
Adjust Front Alignment.....	m	1.5
Bleed Brake System.....	m	.5

NOTE 1: R&I/R&R or O/H Does Not include alignment or bleed brake system.

NOTE 2: All Parts in this section are included in overhaul unless noted otherwise.

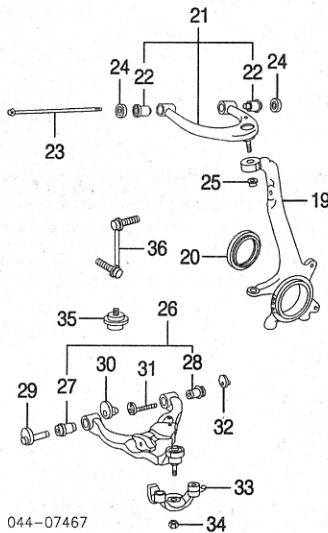


044-07583

1 Cap, Grease	R/L	43514-28010	m	13.58
2 Nut, Castle	R/L	43525-35010	m	2.60
3 Nut, Axle	R/L	90179-28007	m	2.60
4 Rotor, Brake				
16" Wheels	R/L	43512-35320	m #.6	99.60
17" Wheels	R/L	43512-60150	m #.6	99.60
#R&R Both 1.0				
5 Hub Assy, Wheel	R/L	43502-60180	m #3.4	146.69
6 Stud, Hub]] (6/Side)	R/L	90942-02049	m	3.00
<i>]]Included w/Wheel Hub Assy</i>				
7 Bolt, Mounting (4/Side)	R/L	90119-12369	m	1.74
8 Spacer, Hub	R/L	90312-96001	m #3.4	10.49
9 Bearing, Wheel				
Koyo Brand	R/L	43570-60010	m #3.4	140.95
NSK Brand	R/L	43570-60020	m #3.4	129.04
10 O-Ring, Hub	R/L	90301-92003	m #3.4	3.80
#R&R One Side Complete, Includes R&R Rotor, R&R Both Sides 6.6				
11 Seal, Dust-See Front Drive Axle Section				
12 Bolt, Sensor	R/L	90110-06009		.63
13 Sensor, Front ABS-See ABS/Brakes Section				
14 Shield, Brake Dust				
16" Wheels	R	47781-35160	m #.2	55.47
	L	47782-35160	m #.2	55.47
17" Wheels	R	47781-60120	m #.2	61.93
	L	47782-60120	m #.2	61.93
#w/Hub Removed				
15 Caliper, Brake				
16" Wheels	R	47730-35160	m #.5	358.25
	L	47730-0C020	m #.5	388.80
17" Wheels	R	47730-60130	m #.5	358.25
	L	47750-60130	m #.5	358.25
#R&R Both .8, w/Rotor Removed Deduct .3				
16 Pad Kit, Brake		04465-60200	m #1.0	0.00
#Deduct .5 for Each Caliper Removed				
17 Hose, Brake	R/L	90947-02D35	m #.3	29.07
#w/Caliper Removed Deduct .2				
18 Tube, Brake	R	47314-35320	m	4.14
	L	47316-35280	m	4.14

Illustration Located in Next Column

19 Knuckle, Steering	R	43211-60170	m #3.4	351.56
	L	43212-60170	m #3.4	351.56
20 Seal, Oil	R/L	90316-72001	m #3.4	23.61
#R&R One Side Complete, Includes R&R Hub & Rotor, R&R Both Sides 6.6				
21 Arm Assy, Upper Control	R	48610-60050	m #1.6	435.47
	L	48630-60020	m #1.6	435.47
#w/Steering Knuckle Removed Deduct .6, R&R Both Sides 3.0				
22 Bushing, Control Arm]](2)	R/L	48632-60020	m #.2	33.55
<i>]]Included w/Upper Control Arm Assy</i>				



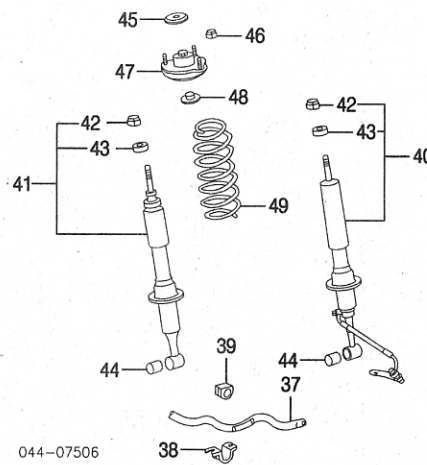
044-07467

#w/Upper Control Arm Removed				
23 Bolt, Upper Arm	R/L	90105-14160	m	10.29
24 Washer, Upper Arm (2/Side)	R/L	90948-02177	m	14.20
25 Nut, Castle	R/L	90171-14011	m	1.12
26 Arm Assy, Lower Control	R	48068-60010	m #2.8	335.54
	L	48069-60010	m #2.8	335.54
#w/Knuckle Removed Deduct 1.5, R&R Both 5.4				
Bushing, Control Arm]]				
27 Front	R/L	48654-60030	m #.2	46.47
28 Rear	R/L	48655-60030	m #.2	55.82
<i>]]Included w/Lower Control Arm Assy</i>				
#w/Lower Control Arm Removed				
29 Cam, Toe Adjust	R/L	48409-60020	m	15.03
30 Plate, Cam	R/L	48452-35020	m	16.09
31 Bolt, Camber Adj	R/L	48190-60020	m	11.89
32 Washer, Camber Adj	R/L	48198-60011	m	11.40
33 Mount, Ball Joint	R	48625-60010	m #1.1	68.39
	L	48626-60010	m #1.1	68.39

#R&R Both Sides 2.0

34 Nut, Castle	R/L	90171-16050	m	3.06
35 Bumper, Spring	R/L	48304-60120	m	26.92
36 Link, Stabilizer	R	48820-60050	m #.4	76.14
	L	48810-60040	m #.4	76.14

#R&R Both .6, Not Included in O/H



044-07506

37 Bar, Stabilizer		48811-60240	m #.9	138.30
#Includes R&R Bushings, Links & Brackets, Not Included in O/H				
38 Bracket, Stabilizer	R	48824-60140	m #.4	18.01
	L	48829-60090	m #.4	18.01
39 Bushing, Stabilizer	R/L	48815-60190	m #.4	11.49
#R&R One Side Complete, Not Included in O/H				
Absorber Assy, Shock				
40 w/Air Susp	R	48510-80088	m #1.0	142.91
	L	48520-39535	m #1.0	142.91
41 w/o Air Susp	R/L	48510-80086	m #1.0	44.23
42 Nut, Shock]]	R/L	94184-01241		.89
43 Cushion, Shock]]	R/L	90948-01056	m #1.0	4.97
<i>]]Included w/Shock Absorber Assy</i>				
44 Bushing, Shock	R/L	90903-89012	m #1.0	13.59
45 Retainer, Upper Cushion	R/L	90948-02161		9.52
46 Nut, Support (3/Side)	R/L	90179-10212		.69
47 Support, Shock	R/L	48609-60030	m #1.0	65.62
48 Retainer, Lower Cushion	R/L	90948-02159	m #1.0	5.63
49 Spring, Coil				
6 Cyl	R	48131-35450	m #1.0	50.04
	L	48131-35470	m #1.0	67.65
8 Cyl	R	48131-35460	m #1.0	66.79

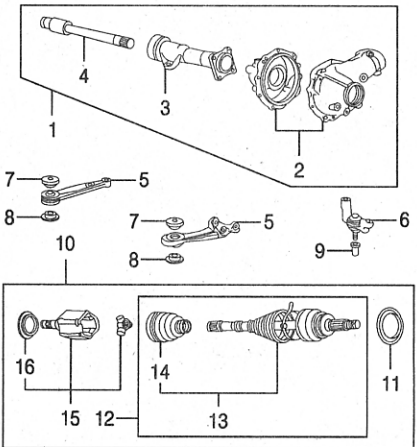
L 48131-35480 m #1.0 67.65
#R&R One Side Complete, R&R Both Sides 1.8

FRONT DRIVE AXLE

R&I Differential Carrier Assy.....	m	2.8
R&I Axle Shaft Assy.....	R/Lm	#2.0
O/H Axle Shaft Assy (Includes R&I).....	R/Lm	#2.6

#w/Steering Knuckle Removed Deduct 1.7

NOTE: All Parts in this section are included in overhaul unless noted otherwise.



044-07603

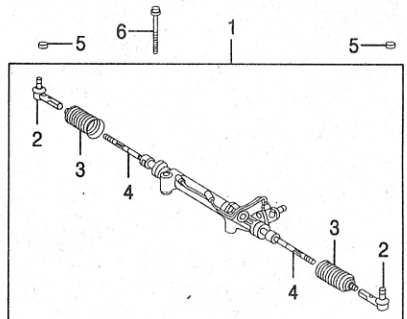
1 Carrier Assy		41110-3D420	m	3.2	985.53
2 Case, Carrier]]		41101-35160	m	6.5	306.69
3 Tube, Differential]]		41321-35050	m		115.80
4 Shaft, Differential]]		41337-35030	m		130.95
<i>]]Included w/Carrier Assy</i>					
Support, Carrier					
5 Front	R	52380-60020	m	#.7	117.12
	L	52380-60010	m	#.7	132.58
#Includes R&R Support Mounts, R&R Both 1.0					
6 Rear Mount, Support		52380-60050	m	.6	86.11
7 Upper	R/L	41653-60030	#.7		14.69
8 Lower	R/L	41654-60010	#.7		9.32
#R&R One Side Complete, R&R Both Sides 1.0					
9 Nut, Support		41655-60010			7.86
10 Shaft Assy, Axle	R/L	43430-60060	m #2.0		386.51
11 Seal, Dust]]	R/L	90304-83001	m		20.15
12 Joint Assy, Outer]]	R/L	43460-68055	m #2.6		458.00
13 Boot Kit]] (a)	R/L	04438-60030	m #2.6		31.93
14 Boot, Inner]] (a) (b)	R/L	04436-60040	m #2.6		19.90
<i>(a) Included w/Outer Joint Assy</i>					
<i>(b) Included w/Boot Kit</i>					
15 Joint Assy, Inner]]	R/L	43403-60020	m #2.6		348.36
#w/Knuckle Removed Deduct 1.7					
16 Cover, Dust]] (a)	R/L	41336-35020	m		5.46
<i>(a) Included w/Inner Joint Assy</i>					
<i>]]Included w/Axle Shaft Assy</i>					
#w/Knuckle Removed Deduct 1.7					

FRONT STEERING LINKAGE/GEAR

R&I Steering Gear Assy.....	m	#2.8
O/H Steering Gear Assy (Includes R&I).....	m	#5.3

#Includes R&R Stabilizer Bar

NOTE: All Parts in this section are included in overhaul unless noted otherwise.



044-07469

1 Gear Assy, Steering		44200-35060	m #2.8	934.01	
#Includes R&R Stabilizer Bar					
2 End, Outer Tie Rod]]	R/L	45048-39505	m	.3	45.43
3 Boot, Tie Rod]]	R/L	45535-26030	m #.6		16.60
#Includes R&R Outer Tie Rod End					
4 End, Inner Tie Rod]]	R/L	45503-39235	m #.6		128.69

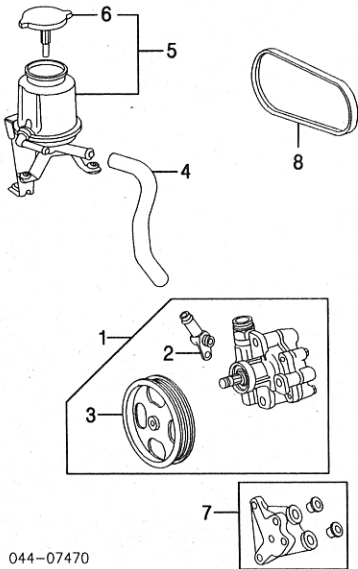
TOYOTA 4RUNNER 2003

FRONT STEERING LINKAGE/GEAR Cont'd

*†*Included w/Steering Gear Assy
*#*w/Steering Gear Removed, R&R Both .9

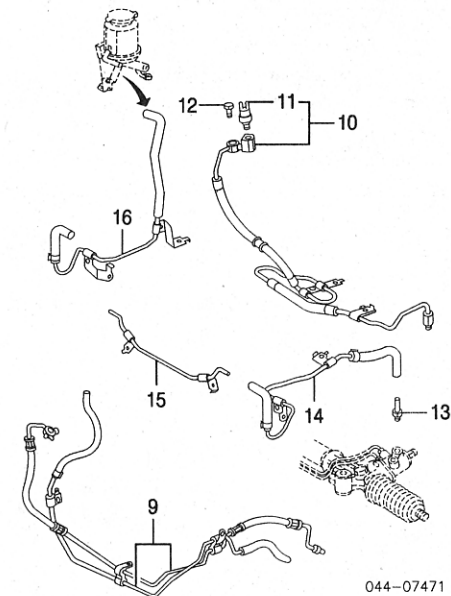
5 Nut, Castle	R/L 90171-14042	m	2.37
6 Bolt, Mounting (2)	90119-12367	m	4.63

STEERING PUMP



044-07470

1 Pump Assy	44310-35660	m	1.6	359.30
6 Cyl	44320-35610	m	1.6	310.40
8 Cyl				
2 Union, Pressure Port [†]	44337-32110	m		33.87
6 Cyl	44337-12010	m		45.47
8 Cyl				
3 Pulley, Pump	44303-06010	m	.7	96.80
6 Cyl [†]	44311-60090	m	.7	119.98
8 Cyl				
<i>†</i> Included w/Pump Assy				
4 Hose, Pump	44348-35280	m	.3	33.55
6 Cyl	44348-35250	m	.3	24.61
8 Cyl				
5 Reservoir Assy, Steering Fluid	44360-35170	m	.5	159.67
6 Cap, Reservoir [†]	44305-28030	m		17.83
<i>†</i> Included w/Steering Fluid Reservoir Assy				
7 Bracket, Pump	44443-0C010	#.2		66.79
8 Cyl				
<i>#</i> w/Pump Removed				
8 Belt, Drive-See Cooling Section				



044-07471

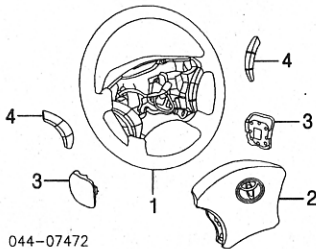
9 Hose Set, Pwr Strg Flexible	44410-35690	m	1.1	274.48
6 Cyl				
10 Hose Assy	44413-35010	m	1.1	297.71
8 Cyl				
11 Valve, Air Control [†]				

8 Cyl	17630-16040	m		89.03
<i>†</i> Included w/Hose Assy				
12 Bolt, Union	90401-16034	m		9.46
8 Cyl	44416-26080	m		14.20
13 Tube, Return	44406-35020	m	.8	84.82
8 Cyl				
15 Pipe, Cooler	44420-35200	m	.7	70.65
8 Cyl				
16 Hose, Return	44417-35010	m	.8	113.20
8 Cyl				

STEERING WHEEL/COLUMN

NOTE: All Parts in this section are included in overhaul unless noted otherwise.

WHEEL & TRIM

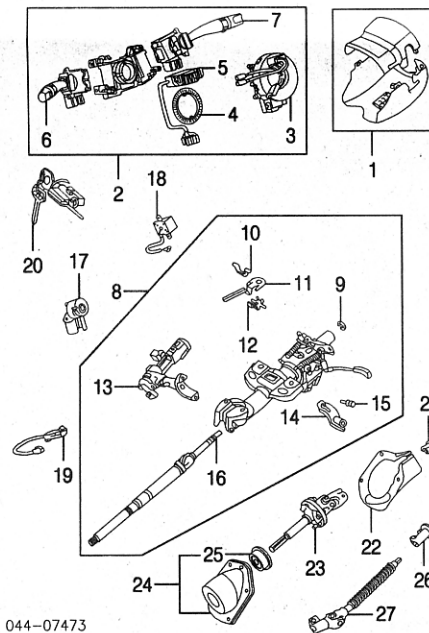


044-07472

1 Wheel, Steering Limited Model	45100-0W170-B0	m	.5	714.38
Sport, SR5 Model				
w/Leather	45100-0W170-B0	m	.5	714.38
w/o Leather	45100-58010-B0	m	.5	311.63
2 Module, Driver Air Bag-See Air Bag System Section	R 45186-58020-B0			3.34
3 Cover, Steering Wheel	L 45187-58010-B0			3.66
	R 84244-35010-B0			0.00
	L 84247-35010-B0			85.17
4 Switch, Radio	84204-58010	m	.3	32.58
Harness, Switch		m		

COLUMN TILT

R&L Steering Column.....	m	2.3
O/H Steering Column (Includes R&L).....	m	3.8



044-07473

1 Cover, Column w/Telescopic Column	45286-35907-B3	m	.5	61.93
w/o Telescopic Column	45286-35906-B3	m	.5	61.93
2 Switch Assy, Turn Signal Limited Model	84310-3D050	m	1.0	401.87
Sport, SR5 Model w/Fog Lamps				
w/Light System Control	84310-3D050	m	1.0	401.87
w/o Light System Control	84310-35750	m	1.0	386.77
w/Fog Lamps				
w/Light System Control	84310-3D120	m	1.0	394.33
w/o Light System Control	84310-35760	m	1.0	394.33
3 Cable, Spiral [†] -See Air Bag System Section				
4 Disc, Steering Sensor [†]	89246-34010	m	.8	91.60
5 Sensor, Steering [†]	89245-34010	m	.8	322.55
<i>†</i> R&R Complete				
6 Switch, Headlamp Dimmer [†] Limited Model	84140-35150	m	.8	112.26

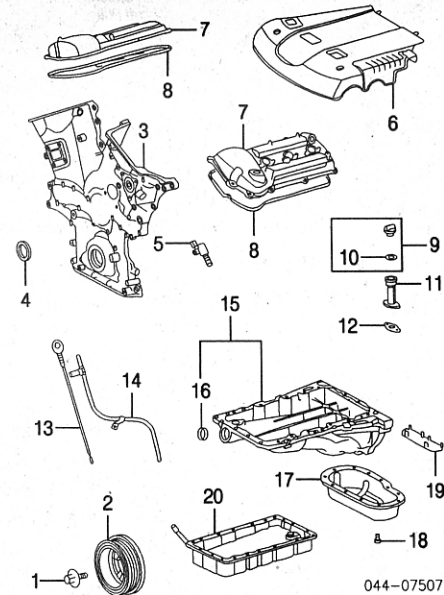
Sport, SR5 Model w/Fog Lamps				
w/Light System Control	84140-35150	m	.8	112.26
w/o Light System Control	84140-14120	m	.8	72.28
w/o Fog Lamps				
w/Light System Control	84140-35140	m	.8	100.94
w/o Light System Control	84140-10190	m	.8	55.82
7 Switch, Windshield Wiper [†] <i>†</i> Included w/Turn Signal, Switch Assy <i>#</i> R&R Both 1.0	84652-14641	m	.8	130.32
8 Column Assy, Steering [†] w/Telescopic Column	N.A.	m	2.8	0.00
w/o Telescopic Column	45250-3D860	m	2.8	961.16
<i>†</i> Order by Application				
9 Ring, Snap (a)	90520-17042	m		.77
10 Pin, Absorber (a) (2)	45875-06010	m		1.18
11 Plate, Absorber (a) (2)	45257-35070	m		3.54
12 Guide, Absorber (a) (2)	45246-50040	m		1.51
13 Bracket, Ignition Switch (a) w/Telescopic Column	45280-35390	m	1.8	198.69
w/o Telescopic Column	45280-35380	m	1.8	198.69
14 Clamp, Bracket (a) w/Telescopic Column	45271-22010	m		22.58
w/o Telescopic Column	45271-12060	m		11.66
15 Bolt, Shear [†] (a) <i>†</i> Non-Reusable Part	45897-12020	m		2.86
16 Shaft, Steering (a) w/Telescopic Column	45210-35250	m	3.8	329.01
w/o Telescopic Column	45210-35240	m	3.8	329.01
<i>(a)</i> Included w/Steering Column Assy				
17 Switch, Ignition	84450-12200	m	.7	75.48
18 Solenoid, Lock	85432-35030	m	.5	57.39
19 Switch, Unlock Warning Lock Set	84052-35030	m		18.46
	69005-3D050	m	2.2	354.50
	69057-35200	m	2.2	169.21
20 Cylinder, Ignition Lock [†] <i>†</i> Included w/Lock Set				
21 Ring, Thrust	45817-35050	m		8.20
22 Cover, Upper Column	45253-35350	m		25.86
23 Shaft, Intermediate	45220-35170	m	3.8	177.39
24 Cover Assy, Lower	45025-35370	m		98.09
25 Seal, Lower Shaft [†] <i>†</i> Included w/Lower Cover Assy	45026-35060	m		40.64
26 Yoke, Shaft	45219-35160	m		17.72
27 Shaft, Lower	45203-35310	m		172.59

ENGINE/TRANS

Use Procedure Explanation 12 with the following text.

6 CYL

R&L Engine Assy				
2WD.....		m	11.3	
4WD.....		m	14.8	



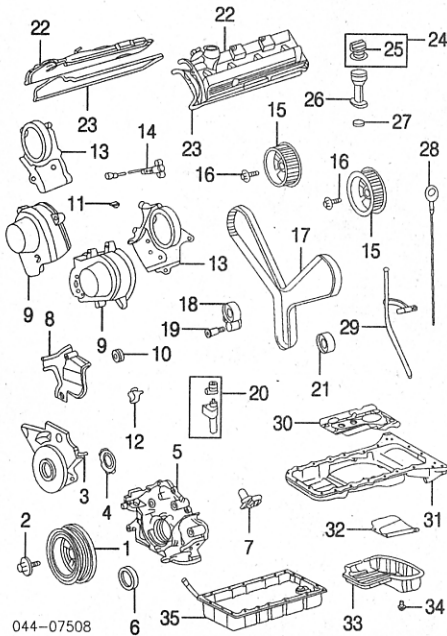
044-07507

1 Bolt, Pulley	90119-16004	m		5.69
2 Pulley, Crankshaft	13470-31010	m	1.2	219.89
3 Pump, Oil	15100-31050	m		195.00
4 Seal, Oil	90311-42036	m		6.03
5 Sensor, Cam Position (2)	90080-19014	m	.5	47.99
6 Cover, Eng	11259-31010	m	.2	122.58
7 Cover, Valve	R 11201-31220	m		211.60
	L 11202-31010	m		229.35
	R 11213-31030	m		15.03
	L 11214-31010	m		15.03
9 Cap Assy, Oil Filter	12180-0H010	m		9.12
10 Gasket, Oil Cap [†] <i>†</i> Included w/Oil Filter Cap Assy	90080-43025	m		3.77
11 Tube, Oil Filler	12185-50020	m		37.13
12 Gasket, Filler	12196-50010	m		5.60
13 Dipstick, Eng Oil	15301-31060	m		11.72
14 Tube, Dipstick	11452-31030	m		19.18

15 Pan Assy, Oil	12101-31070	m	195.28
16 Plug, Drain [†]	96411-63500	m	5.20
<i>†Included w/Oil Pan Assy</i>			
17 Pan, Lower Oil	12101-39027	m	61.55
18 Plug, Oil Drain	90341-12012	m	3.52
19 Cover, Inspection	11361-31040	m	3.86
20 Pan, Trans Oil	35106-60140	m 1.9	92.88

8 CYL

R&I Engine Assy			
2WD		m	11.8
4WD		m	15.3



044-07508

1 Pulley, Crankshaft	13407-50091	m	1.5	199.03
2 Bolt, Pulley	90109-18003	m		7.03
3 Cover, Lower Timing	11302-50040	m #2.5		41.61
<i>#w/Upper Radiator Seal, Fan Shroud & Fan Clutch Removed, Includes R&R A/C Compressor, Crankshaft Pulley & Timing Covers</i>				
4 Plate, Crankshaft Sensor	19315-50020	m		10.86
5 Pump, Oil	15100-0F010	m		271.19
6 Seal, Oil Pump	90311-A0001	m		7.29
7 Sensor, Crankshaft	90919-05035	m		90.16
8 Cover, Timing	11303-50030	m		34.21
9 Cover, Pulley	R 11304-AC010	m #.8		56.16
	L 11308-50030	m #.8		58.73
<i>#R&R Both 1.2</i>				
10 Grommet, Cover	90480-26025	m		3.26
11 Clamp, Cover	82711-10380	m		.80
12 Clip, Cover	90467-09031	m		.89
13 Cover, Rear Timing	R 11341-50030	m		14.32
	L 11342-50030	m		14.32
14 Sensor, Cam Position	19300-50020	m	.5	259.87
15 Sprocket, Camshaft	R 13523-50040	m #.2		44.18
	L 13056-50030	m #.2		69.36

<i>#w/Timing Belt Removed</i>				
16 Bolt, Pulley (2)	90105-12149	m		2.37
17 Belt, Timing	13568-59095	m #1.0		48.07
<i>#w/Lower Timing Cover Removed</i>				
18 Roller, Tensioner	13505-0F010	m		73.56
19 Shaft, Pulley	13556-50010	m		5.60
20 Tensioner, Timing Belt	13540-50030	m #.2		46.81
21 Pulley, Belt Idler	13503-0F010	m #.1		73.85

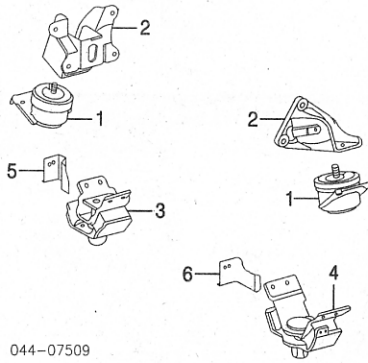
<i>#w/Timing Belt Removed</i>				
22 Cover, Valve	R 11201-50031	m #1.0		207.40
	L 11202-50041	m #1.0		223.52

<i>#R&R Both 1.6</i>				
23 Gasket, Cover	R 11213-0F010	m		13.41
	L 11214-0F010	m		13.41
24 Cap Assy, Oil Filler	12180-50031	m		9.12
25 Gasket, Cap [†]	12195-50010	m		5.69
<i>†Included w/Oil Filler Cap Assy</i>				

26 Filler, Oil	12185-50020	m	.5	37.13
27 Gasket, Filler	12195-50010	m		5.69
28 Dipstick, Eng Oil	15301-50120	m		11.72
29 Tube, Dipstick	11452-50160	m		19.83
30 Plate, Baffle	12121-50170	m		28.69
31 Pan, Upper Oil	12111-50130	m		215.95
32 Plate, Lower Baffle	12122-50020	m		16.83
33 Pan, Lower Oil	12102-50130	m		79.11
34 Plug, Oil Drain	90341-12023	m		4.00
35 Pan, Trans Oil	35106-60150	m 1.9		92.88

ENGINE/TRANS MOUNTS

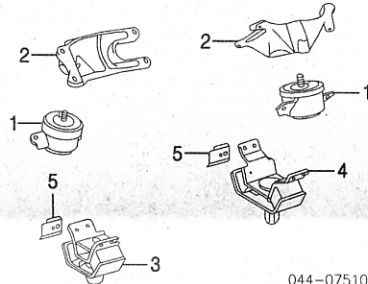
6 CYL



044-07509

1 Mount, Front Eng	R/L 12361-31080	.7	85.17
2 Bracket, Eng Mount	R 12311-31020	#.2	43.90
	L 12315-31050	#.2	58.39
<i>#w/Mount Removed</i>			
3 Mount, Rear Eng/Trans	12371-31060	.7	63.22
4 4WD	12371-31050	.7	85.17
<i>Insulator, Eng Mount</i>			
5 2WD	12391-31030	8.77	
6 4WD	12391-31020	8.77	

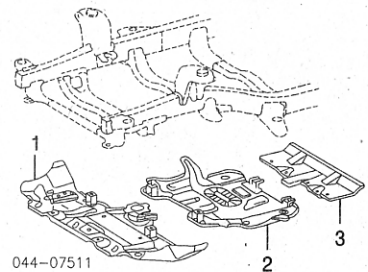
8 CYL



044-07510

1 Mount, Front Eng	R/L 12361-50190	.7	79.68
2 Bracket, Eng Mount	R 12311-50140	#.2	76.14
	L 12315-31050	#.2	58.39
<i>#w/Mount Removed</i>			
3 2WD	12371-50160	.7	57.73
4 4WD	12371-50150	.7	90.37
5 Insulator, Eng Mount	12391-50070	8.77	

ENGINE UNDER COVER



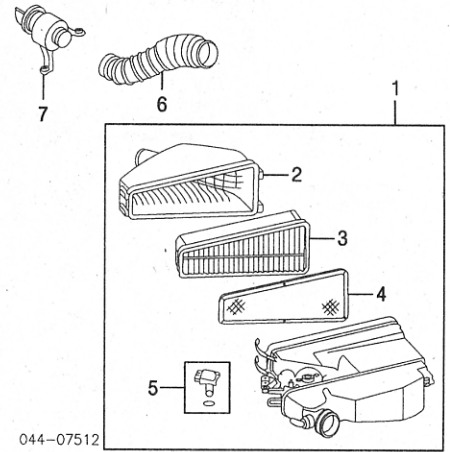
044-07511

1 Cover, Eng			
2WD	51405-35140	#.3	205.17
4WD	51405-35100	#.3	247.73
2 Cover, Rear Eng	51450-35010	#.3	122.89
<i>#R&R Both .4</i>			
3 Cover, Trans	51495-35050	.3	41.30

AIR CLEANER

6 CYL

R&I Air Cleaner Assy			.4
----------------------	--	--	----

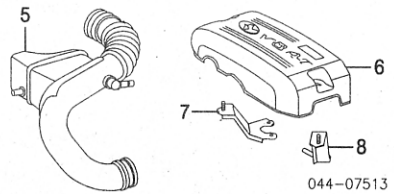
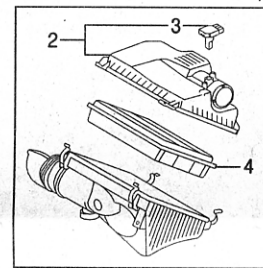


044-07512

1 Cleaner Assy, Air	17700-31530		.5	516.06
2 Cover, Air Cleaner [†]	17705-31090			51.61
3 Element, Air Cleaner [†]	17801-31090		.3	25.66
4 Filter, Air Cleaner [†]	17812-31030			36.84
5 Meter, Air Flow [†]	22204-00030	m	.3	137.98
<i>†Included w/Air Cleaner Assy</i>				
6 Hose, Intake	17882-31080		.2	76.76
7 Support, Hose	17971-31010			46.47

8 CYL

R&I Air Cleaner Assy			.4
----------------------	--	--	----



044-07513

1 Cleaner Assy, Air	17700-50250		.5	409.66
2 Cover Assy, Air Cleaner [†]	17705-50160			267.71
3 Meter, Air Flow [†] (a)	22204-75020	m	.3	105.14
<i>(a) Included w/Air Cleaner Cover Assy</i>				
4 Element, Air Cleaner [†]	17801-50040		.3	28.58
<i>†Included w/Air Cleaner Assy</i>				
5 Hose, Air Intake	17880-50060		.2	99.37
6 Cover, Throttle Body	22266-50050			45.18
7 Bracket, Cover				
8 Right	22277-50040			6.03
Left	22277-50050			5.06

EXHAUST

6 CYL

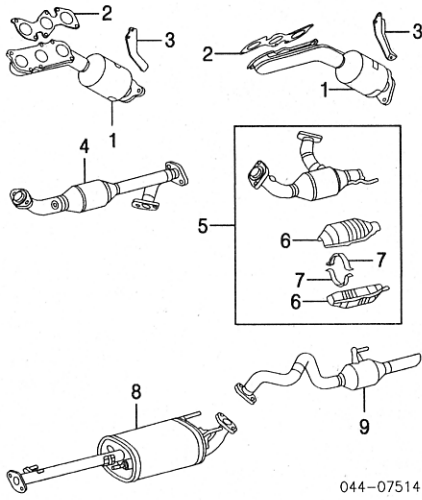
R&R Exhaust System Complete			#1.3
<i>#Does Not Include R&R Exhaust Manifolds & Heat Shields</i>			

Illustration Located in Next Column

1 Manifold, Exhaust	R 17140-31010	m	1.5	535.34
	L 17150-31010	m	1.5	535.34
2 Gasket, Manifold	R/L 17173-31010	m		18.90
3 Stay, Manifold	R 17118-31010			12.57
	L 17119-31010			16.89
4 Pipe/Converter, Front	R 17410-31390	.7		799.44
5 Pipe/Converter Assy, Front	L 17450-31010	.7		862.23
<i>#Shield, Converter[†]</i>				
Upper	L 18435-31030			34.84
Lower	L 18445-31010			32.04
7 Clamp, Shield [†] (2)	L 18421-75010			14.03
<i>†Included w/Front Pipe/Converter Assy</i>				

EXHAUST Cont'd

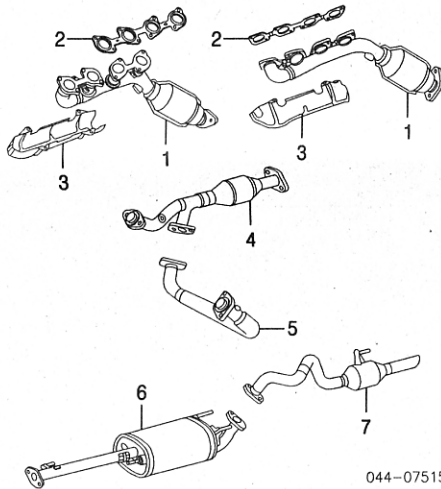
6 CYL Cont'd



8 Muffler, Rear	17420-50220	.6	310.31
9 Pipe, Rear Exh	17430-31410	.6	194.16

8 CYL

R&R Exhaust System Complete #1.3
 #Does Not Include R&R Exhaust Manifolds & Heat Shields



1 Manifold, Exhaust	R 17104-50180	m 1.8	619.73
	L 17105-50170	m 1.8	619.73
2 Gasket, Manifold	R/L 17173-50021	m	12.71
3 Shield, Heat	R 17167-50140	m	54.19
	L 17168-50130	m	39.35
4 Pipe/Converter, Front	R 17410-50360	.7	920.19
5 Pipe, Front Exh	L 17450-50090	.7	158.69
6 Muffler, Rear	17420-50220	.6	310.31
7 Pipe, Rear Exh	17430-50220	.6	144.91

EMISSION SYSTEM

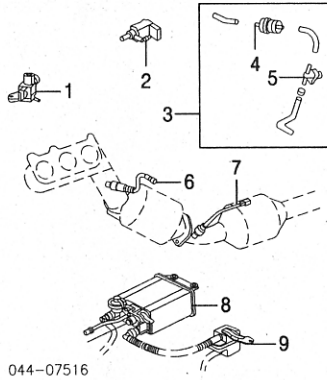
6 CYL

Illustration Located in Next Column

1 Valve, Vacuum Switching	25860-50160	m .3	65.79
2 Valve, Vacuum	90910-12262	m .3	50.67
3 Hose Assy, Vacuum	23820-31020	m .3	24.52
4 Tank, Vacuum	25719-50040	m	13.60
5 Valve	77739-06010	m	11.92

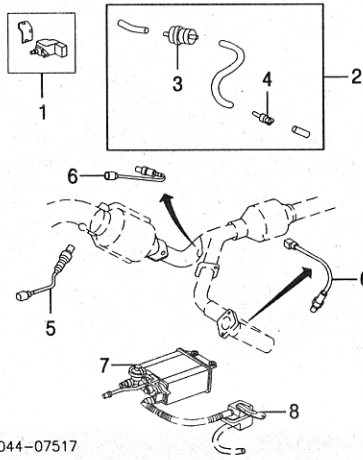
Included w/Vacuum Hose Assy

Sensor, Oxygen			
6 Front	R/L 89467-60010	m .5	203.20
7 Rear	R 89465-60230	m .5	147.27
	L 89465-60220	m .5	147.27
8 Canister, Charcoal	77740-35490	m .5	340.77



9 Filter, Canister	77706-35010	m .3	62.59
--------------------	-------------	------	-------

8 CYL



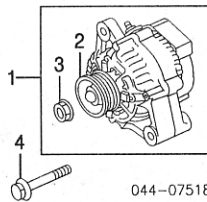
1 Valve, Vacuum Switching	25860-50160	m .3	65.79
2 Hose Assy, Vacuum	23820-50140	m .3	24.52
3 Tank, Vacuum	25719-50040	m	13.60
4 Valve	77739-06010	m	11.92

Included w/Vacuum Hose Assy

Sensor, Oxygen			
5 Front	R/L 89465-60150	m .5	130.75
6 Rear	R 89465-60250	m .5	141.01
	L 89465-60200	m .5	141.01
7 Canister, Charcoal	77740-35490	m .5	340.77
8 Filter, Canister	77706-35010	m .3	62.59

ELECTRICAL

ALTERNATOR



1 Alternator Assy			
6 Cyl	27060-31020	m 1.0	600.36
8 Cyl	27060-50320	m 1.0	600.36
2 Pulley, Alt			
6 Cyl	27411-31210	m .2	17.15
8 Cyl	27411-0A050	m .2	34.21
3 Nut, Pulley	90099-05171	m	1.60

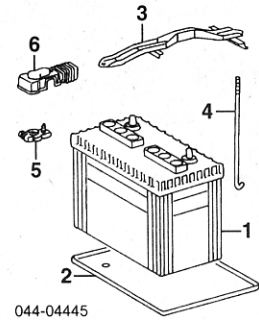
Included w/Alternator Assy

4 Bolt, Alternator			
6 Cyl (2)	91642-81065	m	1.29
8 Cyl	90119-10791	m	1.31

BATTERY

Illustration Located in Next Column

1 Battery	N.A.	.2	0.00
-----------	------	----	------



2 Tray, Battery			
6 Cyl	74431-14030	#.1	31.09
8 Cyl	74431-35040	#.1	35.15

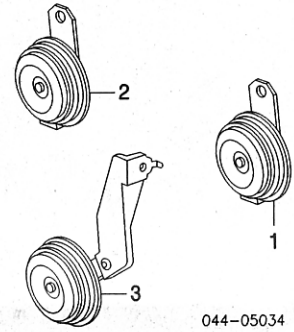
Included w/Battery Removed

3 Clamp, Hold-Down	74481-26020		7.89
4 Bolt, Clamp			
6 Cyl	74451-30090		1.69
8 Cyl	74451-35080		1.46

Included w/Battery Removed

5 Terminal, Positive	90982-05054		21.21
6 Cover, Terminal	82821-35020		10.55

HORN



1 Horn, High Note	86510-60240	#.3	55.64
2 Horn, Low Note	86520-60200	#.3	55.64

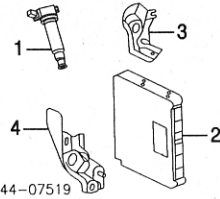
#R&R Both Horns .4

3 Horn, Security	86510-35160	.3	51.01
------------------	-------------	----	-------

IGNITION

R&R Ignition Coils Complete

6 Cyl		m .6	
8 Cyl		m .8	

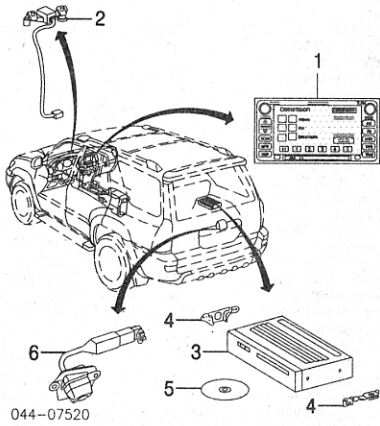


1 Coil, Ignition			
6 Cyl (6)	90919-02248	m .2	89.46
8 Cyl (8)	90080-19027	m .2	89.46
2 Module, Engine Control			
6 Cyl			
2WD	89666-35680	m .6	1261.19
4WD	89666-35690	m .6	1261.19
8 Cyl			
2WD	89666-35610	m .6	1300.46
4WD	89666-35620	m .6	1285.97
Bracket, Module			
3 Upper	89667-60240		9.20
4 Lower	89668-60240		15.06

NAVIGATION SYSTEM

Illustration Located in Next Column

1 Navigation Unit	86120-35240	m .8	612.76
2 Antenna, Navigation	86860-35030	m .8	435.47
3 Computer, Navigation	86841-33060	m .6	4515.61

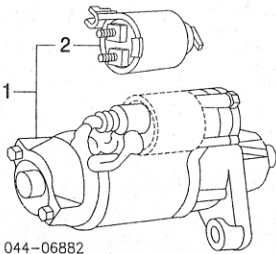


#Includes R&I/R&R Rear View Mirror, Sun Visors, Windshield Garnish Moulding Assemblies, Wiper Arms & Cowl Top Louver & Clean Up Old Adhesive as Necessary

Moulding, Windshield			
Upper	R 75531-35180		25.69
Side	R 75548-35010		13.95
	L 75549-35010		16.15
2 Dam, Upper Windshield	56117-35100		3.54
3 Dam, Lower Windshield	56117-35090		8.92
4 Stopper, Glass	56116-22050		1.71
5 Type B (2)	56115-30100		1.77
Moulding, Windshield Garnish			
Limited Model			
w/Side Curtain Air Bag	R 62211-35080-B0	.2	72.28
	L 62212-35080-B0	.2	72.28
w/o Side Curtain Air Bag	R/L 62211-35070-B0	.2	57.73
Sport, SR5 Model			
w/Side Curtain Air Bag	Fawn	R 62211-35080-E0	.2 72.28
	L 62212-35080-E0	.2	72.28
	R 62211-35080-B0	.2	72.28
	L 62212-35080-B0	.2	72.28
w/o Side Curtain Air Bag	Fawn	R 62211-35070-E0	.2 57.73
	L 62212-35070-E0	.2	57.73
	R 62211-35070-B0	.2	57.73
	L 62212-35070-B0	.2	57.73
Stone	R/L 62217-35010		6.83
7 Clip, Moulding (2/Side)			
8 Mirror, Rear View	w/Auto Dimmer	87810-AA020	.2 564.45
	w/o Auto Dimmer	87810-E2040	.2 88.05
9 Cover, Mirror	w/Auto Dimmer	87818-AC010	.2 4.48
10 Visor, Sun	Limited Model		
	R 74310-35680-B0	.2	167.39
	L 74320-35680-B0	.2	167.39
Sport, SR5 Model			
w/Extended Visor	Fawn	R 74310-35670-E0	.2 49.04
	L 74320-35680-E0	.2	49.04
	R 74310-35670-B0	.2	49.04
	L 74320-35680-B0	.2	49.04
Stone	Fawn	R 74310-35680-E0	.2 167.39
	L 74320-35680-E0	.2	167.39
	R 74310-35680-B0	.2	167.39
	L 74320-35680-B0	.2	167.39
11 Clip, Sun Visor	Fawn	R/L 74348-34010-E1	7.86
	Stone	R/L 74348-34010-B3	7.86
12 Visor, Center Sun	Fawn	R 74303-35010-E0	.2 33.21
	L 74304-35010-E0	.2	33.21
	R 74303-35010-B0	.2	33.21
	L 74304-35010-B0	.2	33.21
13 Handle, Assist	Fawn	R/L 74603-60010-E0	.2 20.49
	Stone	R/L 74603-60010-B0	.2 20.49
14 Plug, Assist Handle	Upper	R/L 74617-60040-E0	1.60
	Fawn	R/L 74617-60040-B0	1.60
	Stone	R/L 74617-60050-E0	1.60
	Fawn	R/L 74617-60050-B0	1.60
	Stone	R/L 74617-60050-B0	1.60

4 Bracket, Computer	R 86117-35010	7.95
	L 86118-35010	7.57
5 CD, Navigation	86271-33031	967.65
6 Camera, Rear View-See Rear Gate Section		

STARTER

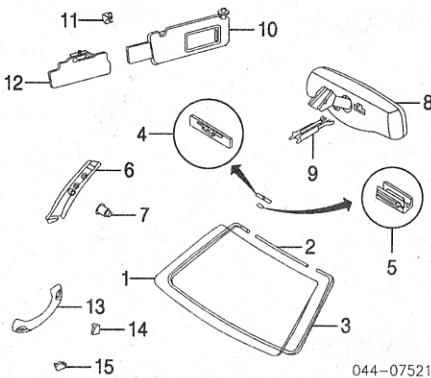


1 Starter Assy			
6 Cyl			
1.6 KW	28100-31040	m	342.86
2.0 KW	28100-31050	m	439.44
8 Cyl			
1.4 KW	28100-50090	m #3.9	305.84
2.0 KW	28100-50100-B4	m #3.9	R279.15
#Includes R&R Intake Manifold			
2 Solenoid, Starter			
6 Cyl			
1.6 KW-Serviced w/Starter Assy			
2.0 KW	28150-31051	m	103.05
8 Cyl			
1.4 KW	28140-76070	m	19.58
2.0 KW	28140-54380	m	64.85
#Included w/Starter Assy			

WINDSHIELD

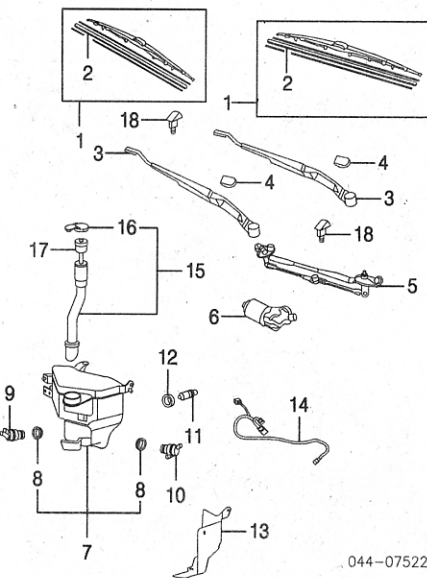
Use Procedure Explanation 13 with the following text.

R&I Windshield..... #3.8
 #Includes R&I/R&R Rear View Mirror, Sun Visors, Windshield Garnish Moulding Assemblies, Wiper Arms & Cowl Top Louver & Clean Up Old Adhesive as Necessary



1 Windshield			
Toyota			
w/Auto Dimmer	56101-35020	#3.5	368.03
w/o Auto Dimmer	56101-35050	#3.5	375.51
NAGS			
w/Auto Dimmer	FW02371GGN	#3.5	1115.50
w/o Auto Dimmer	FW02372GGN	#3.5	905.00

WIPER SYSTEM



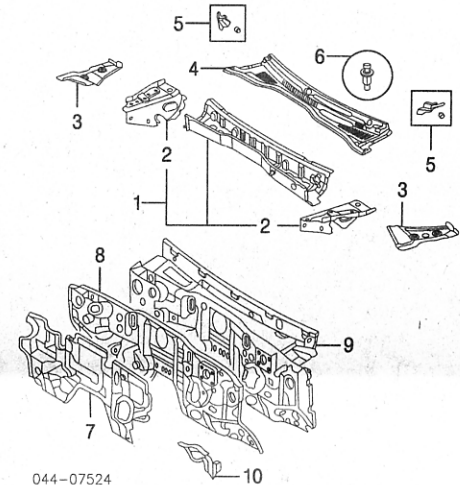
1 Blade Assy, Wiper	R 85212-60110	.2	16.34
	L 85222-35110	.2	24.15
2 Insert, Wiper	R 85214-02020	.1	4.35
	L 85214-48010	.1	4.78
#Included w/Wiper Blade Assy			
3 Arm, Wiper	R 85211-35090	#2	53.87

L 85221-35100		#2	44.82
#Includes R&R Wiper Blade & Insert			
4 Cap, Arm	R/L 85292-13010		4.23
5 Link, Wiper	85150-35120	#7	128.38
6 Motor, Wiper	85110-35290	#7	167.76

#Order by Application			
#R&R Complete, Includes R&R Cowl Top Louver			
7 Reservoir Assy, Windshield Washer			
w/Sensor	85315-60320	.4	80.62
w/o Sensor	85315-60300	.4	80.62
8 Seal, Washer Pump(1) (2)	85336-60300		2.89
#Included w/Windshield Washer Reservoir Assy			
Pump, Washer			
9 Front			
w/Sensor	85330-60190	#3	43.10
w/o Sensor	85330-60170	#3	43.10
10 Rear	85330-60180	#3	43.10
#R&R One or All			
11 Sensor, Level	85397-33230	.2	44.53
12 Seal, Sensor	85319-33230		3.86
13 Shield, Reservoir	85336-60290		21.26
14 Harness, Reservoir	85317-60300		9.40
15 Tube Assy, Filler	85301-60040		48.70
16 Cap, Filler	85316-33120		4.00
#Included w/Filler Tube Assy			
17 Filter, Fluid	85312-63010		8.06
18 Nozzle, Washer	R/L 85381-35090	.2	14.98

COWL & DASH

Use Procedure Explanations 14 and 28 with the following text.



1 Panel Assy, Cowl	55700-35680	#5.5	387.05
2 Panel, Inner	R 55717-35030	#2.0	33.55
	L 55718-35030	#2.0	33.55
#Included w/Cowl Panel Assy			
3 Panel, Outer	R 55715-35020	#1.0	16.55
	L 55716-35020	#1.0	16.55
#w/Necessary Bolted Parts & Assemblies Removed			
4 Louver, Cowl Top	55708-35070	#5	272.22
#Includes R&R Wiper Arms			
5 Seal, Louver	R 53866-35020		10.43
	L 53867-35010		10.43
6 Clip, Louver	R/L 90467-06133-C0		1.51
7 Insulator, Outer Dash Panel	55223-35070		94.17
8 Panel, Dash	w/Air Susp	55101-3M470	297.71
	w/o Air Susp	55101-3M460	297.71
9 Insulator, Inner Dash Panel	55210-35350		348.36
10 Insulator, Heat	55225-35170		10.20

INSTRUMENT PANEL

Use Procedure Explanation 14 with the following text.

R&I Instrument Panel.....m #4.5
 #Includes R&I/R&R Steering Wheel

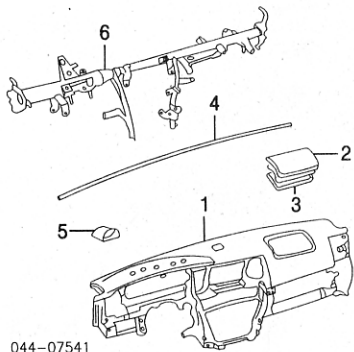
NOTE: All Parts in this section are included in R&R Instrument Panel unless noted otherwise.

Illustration Located in Next Column

1 Panel, Instrument			
w/Center Speaker			
Fawn	55401-35901-B1	m #6.5	935.38
Stone	55401-35901-B0	m #6.5	935.38
w/o Center Speaker			
Fawn	55401-35900-B1	m #6.5	935.38
Stone	55401-35900-B0	m #6.5	935.38
#Includes R&I/R&R Steering Wheel			
Speaker, Center	86160-0W660	.3	110.35
2 Door, Passenger Air Bag-See Air Bag System Section			
3 Cushion, Door-See Air Bag System Section			

TOYOTA 4RUNNER 2003

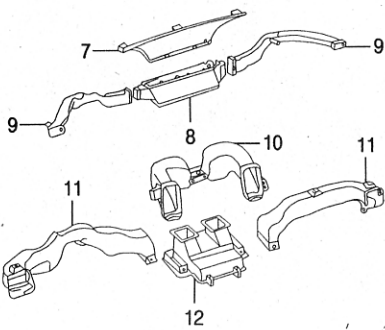
INSTRUMENT PANEL Cont'd



044-07541

4 Cushion, Panel	55349-35040	5.89
5 Retainer, Panel (5)	55217-35020	2.43
6 Reinf, Instrument Panel	55330-35140	#.4 279.97

#w/Instrument Panel Removed, Not Included in R&R Instrument Panel



044-07542

7 Vent, Defrost	55950-35050	37.13
8 Duct, Defrost	55990-60030	39.98
9 Duct, Side Defrost	R 55971-35010	18.63
	L 55972-35010	18.63
10 Duct, Center	55844-35060	42.61
11 Duct, Heater	R 55843-35040	42.61
	L 55845-35010	42.61
12 Duct, Center Air	55835-35080	48.07
13 Sensor, Solar		
Limited Model	88625-51010	85.61
Sport, SR5 Model	88790-35070	28.99
14 Thermistor, Cooler	88625-47021	21.09

Illustration Located in Next Column

15 Housing Assy, Instrument Cluster	55404-35280-B0	.3 252.24
16 Nozzle, Defrost	55961-35010-B0	.2 6.43
17 Vent, Air	55650-35070-B0	.2 60.65

#Included w/Instrument Cluster Housing Assy

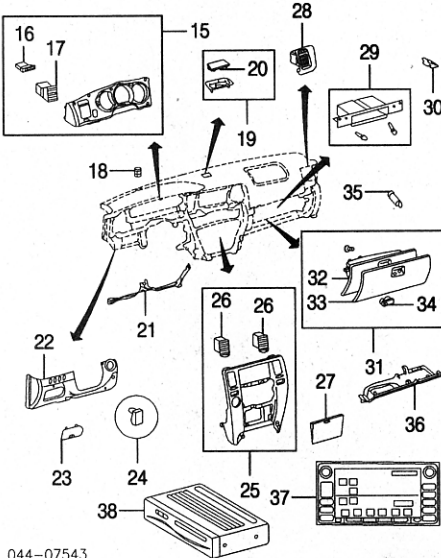
18 Sensor, Auto Light Control	89121-12010	134.52
Cover, Hole	55548-12070-B4	0.00
19 Panel Assy, Center	55408-35160-B0	.2 29.72
20 Insert, Panel	55541-35010-B0	6.66

#Included w/Center Panel Assy

21 Panel, Lower	55313-35020	.2 31.81
22 Panel, Finish		
Fawn	55045-35110-E0	.2 136.44
Stone	55045-35110-B0	.2 136.44
23 Cover, Fuse		
Fawn	55545-35020-E0	12.63
Stone	55545-35020-B0	12.63
24 Cover, Switch Hole	55539-48010	3.54

#As Required

25 Panel Assy, Center		
-----------------------	--	--



044-07543

26 Vent, Center Air		
2WD		
w/CD Changer	55405-35430	.4 377.37
w/o CD Changer	55405-35420	.4 377.37
4WD		
w/CD Changer	55405-35400	.4 377.37
w/o CD Changer	55405-35340	.4 377.37
R	55670-35090	79.05
L	55680-35070	79.05

#Included w/Center Panel Assy

27 Box, Panel		
Limited Model	55440-35100	110.35
Sport, SR5 Model	55440-35090	55.16
28 Vent, Instrument Panel	55660-35090-B0	.2 97.08
29 Panel, Lower Finish	55046-35020	.2 82.25

#Order by Application

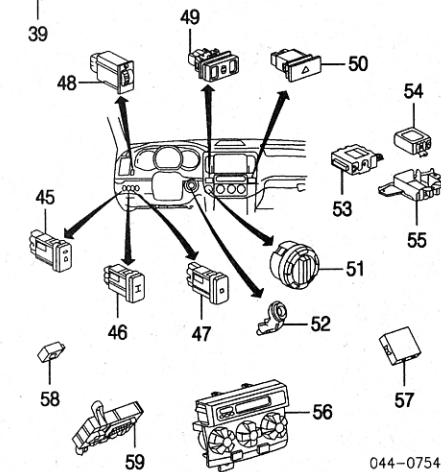
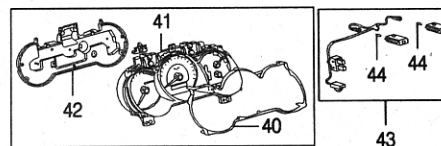
30 Plate, Finish	55568-35030	8.03
31 Box Assy, Glove		
Fawn	55550-35060-E0	.3 176.77
Stone	55550-35060-B0	.3 176.77
32 Box, Glove	55552-35030	102.26
33 Cover, Glove Box		
Fawn	55551-35020-E0	.3 81.94
Stone	55551-35020-B0	.3 81.94
34 Lock, Glove Box		
Fawn	55506-35020-E0	.2 15.69
Stone	55506-35020-B0	.2 15.69

#Included w/Glove Box Assy

35 Stopper, Glove Box	55054-35010	16.52
36 Cover, Lower Dash	55607-35050	.2 58.07
37 Radio	86120-35200	.6 1147.98

#Order by Application

Bracket, Radio	R 86211-35020	11.29
L	86212-35020	11.29
38 Changer, CD Magazine	86270-35010	.5 1701.69
	86273-50070	45.97



044-07544

39 Cluster Assy, Instrument

6 Cyl			
2WD			
Limited Model	83800-3G610	m .9	480.50
Sport, SR5 Model	83800-3G600	m .9	331.64
4WD			
Limited Model	83800-3G510	m .9	504.08
Sport, SR5 Model	83800-3G500	m .9	340.50
8 Cyl			
2WD			
Limited Model			
w/Air Susp	83800-3G590	m .9	483.43
w/o Air Susp	83800-3G580	m .9	489.36
Sport, SR5 Model	83800-3G570	m .9	334.58
4WD			
Limited Model			
w/Air Susp	83800-3G490	m .9	504.08
w/o Air Susp	83800-3G480	m .9	487.88
Sport, SR5 Model	83800-3G470	m .9	340.50
Limited Model	83852-3G390	m	23.09
40 Glass, Cluster	89820-35020	m	104.86
41 Sensor, Inclination	83821-3G390	m	27.52
42 Cover, Cluster			
#Included w/Instrument Cluster Assy			
43 Indicator Assy	83950-35030	m	64.22
44 Bulb, Indicator (2)	84999-50050	m	0.00

#Included w/Indicator Assy

45 Switch, Main	84480-35060	m .2	61.93
46 Switch, Diff Lock	84725-35040	m .2	60.96
47 Switch, Traction Control	84988-35040	m .2	54.84

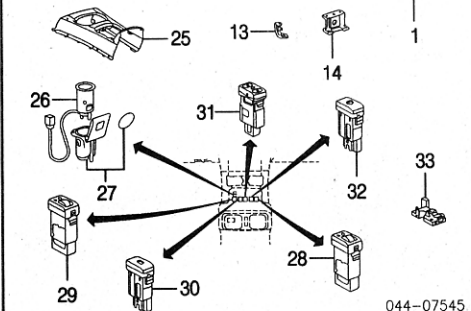
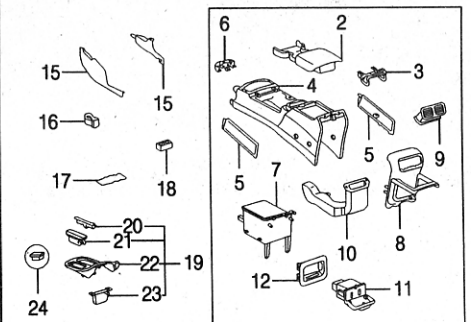
#Order by Application

48 Switch, Rheostat	84119-35030	m .2	107.43
49 Switch, Rear Power Window	84810-35050	m .2	95.48
50 Switch, Hazard	84332-35070	m .2	41.45
51 Switch, 4WD Control			
6 Cyl	84724-35020	m .2	83.88
8 Cyl	84724-35030	m .2	72.91
52 Amp, Transponder	89783-35030	m	96.46
53 Control, Theft Warning	89730-35010	m	548.33
54 Computer, Transponder	89780-35090	m	250.30
55 Bracket, Computer	89788-60010	m	28.01
56 Control, A/C			
Limited Model			
Type A	55900-35440	m .4	941.84
Type B	55900-35450	m .4	941.84
Sport, SR5 Model			
Type A	55900-35420	m .4	838.61
Type B	55900-35430	m .4	838.61
57 Computer, 4WD Control			
6 Cyl	89533-35190	m .4	0.00
8 Cyl	89533-35200	m .4	0.00
58 Flasher, Turn Signal			
w/DRL	81980-35020	m .2	40.35
w/o DRL	81980-02030	m .2	40.35
59 Block, Fuse	82730-35350	m	509.63

CENTER CONSOLE

Use Procedure Explanation 14 with the following text.

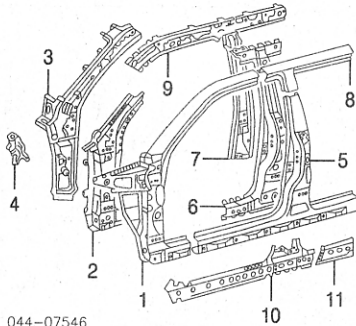
R&I Center Console Assy 5



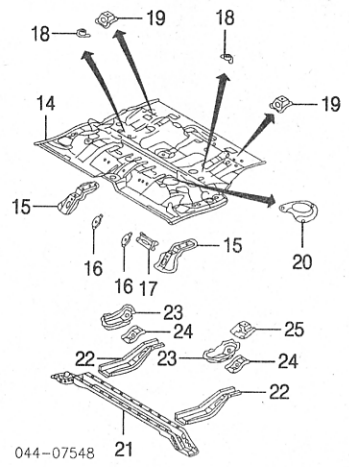
044-07545

1 Console Assy, Center			
Limited Model			
Fawn	58910-35060-E0	.5	648.49
Stone	58910-35060-B0	.5	648.49
Sport, SR5 Model	58910-35040-E0	.5	500.80
2 Door, Compartment			
Limited Model	58905-35100-B0	.1	290.60
Sport, SR5 Model	58905-35090-B0	.1	126.29
3 Hinge, Door	58907-35020		46.47
4 Console, Center			
Fawn	58911-35070-E0		131.89

Stone	58911-35070-B0		131.89
5 Cover, Console]]	R 58849-35010	2	58.73
	L 58839-35010	2	58.73
6 Bracket, Front]]	58863-35010		18.46
7 Box, Console]]			
w/Accessory Control	58912-35040	2	53.61
w/o Accessory Control	58912-35030	2	53.61
8 Panel, Rear]]	58903-35040-B0	2	165.82
9 Vent, Rear]]			
Limited Model	58860-35020	.1	95.17
Sport, SR5 Model	58860-35010	.1	79.34
10 Duct, Air]]	58862-35010		42.61
11 Socket, Power]]			
Black	85535-35090-C0		6.40
Blue/Gray	85535-42030-B0		6.40
12 Bezel, Socket]]	85535-41010-B1		6.40
*Included w/Center Console Assy			
13 Support, Console	58991-35050		7.95
14 Bracket, Rear	58993-35060		16.89
15 Garnish, Console			
Fawn	R 58834-35030-E0	.1	20.63
	L 58833-35030-E0	.1	35.15
Stone	R 58834-35030-B0	.1	20.63
	L 58833-35030-B0	.1	35.15
16 Insert, Cup Holder			
Limited Model	55604-35060		70.33
Sport, SR5 Model	55604-35050		41.30
17 Insert, Console	58917-35040		11.98
18 Box, Coin	55450-0C010		24.04
19 Panel Assy, Upper			
Limited Model	58805-35040-B0	2	227.07
Sport, SR5 Model	58805-35060	2	227.07
Garnish, Panel]]			
Upper	58832-35010	.1	14.40
Lower	58827-35010	.1	18.43
22 Box, Console]]	58810-35010		35.12
23 Panel, Upper]]			
Limited Model	58822-35020-B0		86.45
Sport, SR5 Model	58822-35030		86.45
*Included w/Upper Panel Assy			
24 Cover, Hole]]	55539-51020-B2		3.52
*As Required			
25 Console, Front			
Limited Model	58804-35350	.3	310.29
Sport, SR5 Model	58804-35340	.3	260.30
26 Socket, Power	85530-35040		30.09
27 Cover, Socket			
Black	85535-35090-C0		6.40
Blue/Gray	85535-42030-B0		6.40
Switch, Seat Heater]]			
Right	84751-35070	2	54.84
Left	84751-35100	2	54.84
30 Switch, Control]]	84988-35020	2	54.84
Switch, Absorber Control]]			
No. 1	89249-35050	2	54.84
No. 2	89249-35040	2	54.84
*Order by Application			
33 Computer, Shift Lock	85903-60020		255.44



1 Pillar, Outer Hinge	R 61131-35050	7.0	149.01
	L 61132-35050	7.0	149.01
2 Reinf, Hinge Pillar	R 61108-35050	2.0	202.26
	L 61109-35050	2.0	202.26
3 Pillar, Inner Hinge	R 61013-35010	2.5	149.01
	L 61014-35010	2.5	171.59
4 Bracket, Instrument Panel	R 61183-35040		14.35
5 Pillar, Rocker/Center	R 61311-35010	#8.5	134.18
	L 61312-35010	#8.5	134.18
*w/Quarter Panel Removed Deduct 1.4			
6 Reinf, Center	R 61301-35030	1.5	263.50
	L 61302-35050	1.5	263.50
7 Pillar, Inner Center	R 61343-35040	2.0	134.18
	L 61344-35040	2.0	134.18
8 Rail, Outer Roof Side	R 61211-35050	4.5	122.58
	L 61212-35050	4.5	122.58
9 Rail, Inner Roof Side	R 61231-35901	2.0	110.35
	L 61232-35901	2.0	110.35
10 Panel, Inner Rocker	R 61452-60020	2.0	76.05
	L 61462-60020	2.0	76.05
11 Panel, Rear Inner Rocker	R 61453-60010	1.0	28.44
	L 61463-60010	1.0	28.44

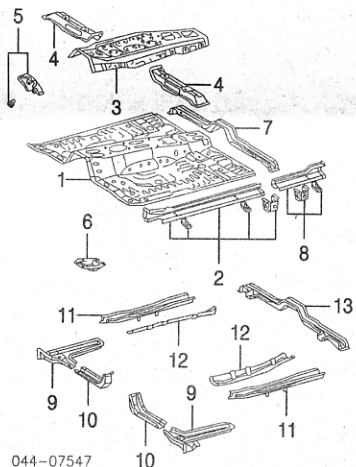


18 Bracket, Seat Mount (4)	58244-35010		3.12
19 Bracket, Support	R/L 58249-35030		13.72
20 Cover, Service Hole	58325-35010		13.23
21 Member, Front	57405-35010		300.63
22 Reinf, Side	R 57637-35010		69.48
	L 57638-35010		69.48
23 Plate, Floor	R 58271-35010		26.58
	L 58272-35010		0.00
24 Reinf, Belt Anchor	R 58027-35050		0.00
	L 58028-35050		24.35
25 Reinf, Side Panel	R 58204-35050		46.76
	L 58216-35020		28.21

EXTERIOR TRIM

Refinish Rocker Moulding.....	R/L	1.0
Refinish Side Step.....	R/L	1.2
R&I Rocker Moulding.....	R/L	#3
*w/Side Step Removed		
R&I Side Step.....	R/L	.4

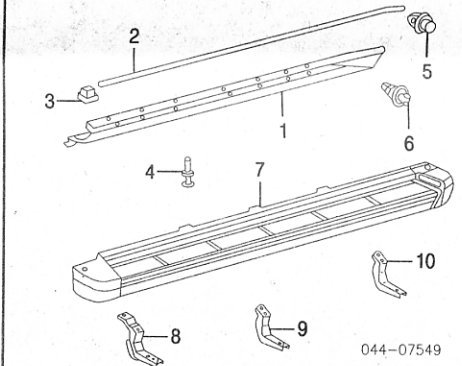
FLOOR



1 Panel, Floor	58111-35420		564.45
2 Member, Floor Side	R 57411-35900		128.77
	L 57412-35900		128.77
3 Reinf, Floor Panel	58115-35010		179.65
4 Reinf, Crossmember	R 57051-35050		56.44
	L 57052-35050		55.16
5 Bracket, Footrest	58190-35030		43.56
6 Base Reinf, Parking Brake	58171-35030		31.78
7 Reinf, Rear Crossmember	57461-35020		123.89
8 Member, Rear	R 57413-35900		0.00
	L 57414-35900		0.00
9 Reinf, Outer	R 57023-35030		121.46
	L 57024-35030		121.46
10 Reinf, Front	R 57512-35040		45.76
	L 57513-35040		45.76
11 Reinf, Side	R 57417-35050		52.90
	L 57417-35060		52.90
12 Reinf, Inner	R 58127-35010		47.10
	L 58128-35010		50.96
13 Reinf, Rear	57509-35010		159.33

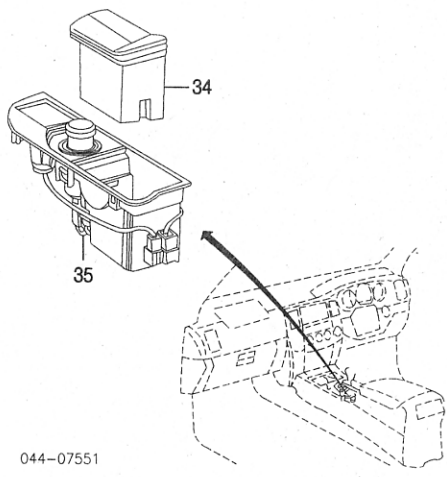
Illustration Located in Next Column

14 Panel, Center Floor]]	58211-35030		348.36
*Order by Application			
15 Bracket, Rear Seat	R 58215-35020		28.21
	L 58216-35020		28.21
16 Reinf, Hinge	R/L 58247-35030		7.86
17 Bracket, Floor	58275-35020		7.03



1 Moulding, Rocker			
Limited Model			
Black (Code 202)	R 75851-35060-C0	#3	237.41
	L 75852-35060-C0	#3	237.41
Blue (Code 8Q0)	R 75851-35060-J0	#3	237.41
	L 75852-35060-J0	#3	237.41
Champagne (Code 587)	R 75851-35060-F0	#3	237.41
	L 75852-35060-F0	#3	237.41
Gray (Code 1E9)	R 75851-35060-B1	#3	237.41
	L 75852-35060-B1	#3	237.41
Gray/Blue (Code 8R3)	R 75851-35060-J1	#3	237.41
	L 75852-35060-J1	#3	237.41
Silver (Code 1D4)	R 75851-35060-B0	#3	237.41
	L 75852-35060-B0	#3	237.41
White Pearl (Code 070)	R 75851-35060-A0	#3	237.41
	L 75852-35060-A0	#3	237.41
Sport, SR5 Model	R 75851-35070	#3	158.39
	L 75852-35070	#3	158.39

*w/Side Step Removed			
2 Protector, Moulding	R/L 75861-35050		5.06
3 Nut, Speed (4/Side)	R/L 90189-06018		1.03
4 Rivet (8/Side)	R/L 90467-07188		1.86
Clip, Moulding			
5 Type A (5/Side)	R/L 73396-35020		.69
6 Type B (3/Side)	R/L 73395-35070		2.34
7 Step, Side			
Limited Model			
	R 51083-35160	.4	567.68
	L 51084-35150	.4	567.68
Sport, SR5 Model	R 51083-35170	.4	319.63
	L 51084-35160	.4	319.63
Bracket, Mounting			
8 Front	R/L 51085-60010		50.67
9 Center			
Limited Model			
	R 51081-35060		32.27
	L 51082-35060		32.27
Sport, SR5 Model	R/L 51795-60060		38.70



34 Receptacle, Ashtray	74102-35020		53.53
35 Housing, Lighter	74104-35020	2	164.53

ROCKER/PILLARS/FLOOR

Use Procedure Explanations 14, 15 and 28 with the following text.

ROCKER/PILLARS

Refinish Outer Hinge Pillar.....	R/L	1.0
Refinish Rocker & Center Pillar Outside.....	R/L	2.0
Refinish Center Pillar.....	R/L	1.0
Refinish Rocker Panel Section.....	R/L	1.4
Refinish Outer Side Rail.....	R/L	1.5
R&R Rocker Panel.....	R/L	#5.5
*w/Quarter Panel Removed Deduct 1.4		
R&R Center Pillar.....	R/L	5.0

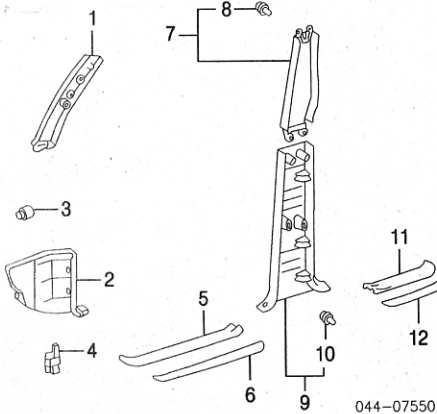
TOYOTA 4RUNNER 2003

ROCKER/PILLARS/FLOOR Cont'd

EXTERIOR TRIM Cont'd

10 Rear R/L 51797-60080 38.70

INTERIOR TRIM



044-07550

1 Moulding, Windshield Garnish-See Windshield Section

2 Panel, Cowl Trim			
Fawn	R 62111-60090-E0	2	59.67
	L 62112-60140-E0	2	59.67
Stone	R 62111-60090-B0	2	59.67
	L 62112-60140-B0	2	59.67
3 Clip	R/L 90467-06183		1.40
4 Retainer, Cowl Trim	R 62135-60010		9.72
	L 62136-60010		9.72

5 Plate, Front Inner Scuff			
Fawn	R 67913-60080-E0	#2	80.34
	L 67914-60070-E0	#2	80.34
Stone	R 67913-60080-B0	#2	80.34
	L 67914-60070-B0	#2	80.34

6 Plate, Front Outer Scuff			
Fawn	R/L 67911-60010-E0	#2	34.52
Stone	R/L 67911-60010-B0	#2	34.52

#R&R One Side Complete

7 Trim Assy, Upper Center Pillar			
Fawn	R 62411-35030-E0	#3	68.08
	L 62412-35030-E0	#3	68.08
Stone	R 62411-35030-B0	#3	68.08
	L 62412-35030-B0	#3	68.08

#Includes R&R Lower

8 Clip, Trim	R/L 90467-11111		1.31
Grip, Assist			
Fawn	R 74620-60050-E0	1	35.50
	L 74630-60050-E0	1	35.50
Stone	R 74620-60050-B0	1	35.50
	L 74630-60050-B0	1	35.50

9 Trim Assy, Lower Center Pillar			
Fawn	R 62413-60060-E0	2	74.19
	L 62414-60070-E0	2	74.19
Stone	R 62413-60060-B0	2	74.19
	L 62414-60070-B0	2	74.19

10 Clip, Trim (2/Side)	R/L 90467-10161		.80
#Included w/Lower Center Pillar Trim Assy			

11 Plate, Rear Inner Scuff			
Fawn	R 67917-60080-E0	#2	48.07
	L 67918-60070-E0	#2	48.07
Stone	R 67917-60080-B0	#2	48.07
	L 67918-60070-B0	#2	48.07

12 Plate, Rear Outer Scuff			
Fawn	R 67915-60010-E0	#2	34.52
	L 67916-60010-E0	#2	34.52
Stone	R 67915-60010-B0	#2	34.52
	L 67916-60010-B0	#2	34.52

#R&R One Side Complete

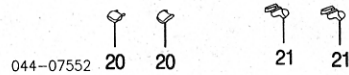
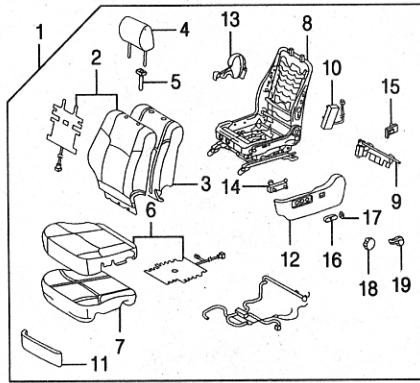
FRONT SEAT

R&L Front Seat R/L 3

NOTE: All Parts in this section are included in R&R Seat Frame unless noted otherwise.

Illustration Located in Next Column

1 Seat Assy, Front			
w/Air Bags-See Air Bag System Section			
w/Air Bags-Serviced by Components			
2 Cover, Seat Back (a)			
w/Air Bag			
Passenger	71073-3G280-B0	#8	1048.93
Driver	71074-35640-B0	#8	1048.93
w/o Air Bag			
Passenger	71073-3G420-B0	#8	1048.93
Driver	71073-3G420-B0	#8	1048.93



#Stone listed, Order by Application

3 Cushion, Seat Back (a)			
w/Air Bags-Serviced w/Seat Assy			
w/o Air Bags			
Passenger	71551-35100	#8	118.06
Driver	71551-35100	#8	118.06

#R&R One Side Complete

4 Headrest, Seat (a)			
Passenger	71910-35710-B1	1	474.14
Driver	71910-35710-B1	1	474.14
5 Support, Headrest (a) (2/Side)			
Passenger	71930-42020-B3		11.06
Driver	71930-42020-B3		11.06

6 Cover, Lower Seat (a)			
Passenger	71071-3G380-B1	#8	869.35
Driver	71072-35210-B1	#8	869.35

#Stone listed, Order by Application

7 Cushion, Lower Seat (a)			
Limited Model			
Passenger	71511-35110	#8	145.16
Driver	71511-35110	#8	145.16
Sport, SR5 Model			
Passenger	71511-35100	#8	145.16
Driver	71511-35100	#8	145.16

#R&R One Side Complete

8 Frame, Seat (a)			
w/Air Bags-Serviced w/Front Seat Assy			
w/o Air Bags			
Limited Model			
Passenger	71110-35030	1.4	348.36
Driver	71120-35020	1.4	403.17
Sport, SR5 Model			
Passenger	71110-35040	1.4	319.01
Driver	71120-35030	1.4	377.37

9 Support, Lumbar (a)			
Driver	72760-60050		422.55

10 Module, Side Air Bag (a)-See Air Bag System Section			
11 Trim, Seat Cushion (a)			
Limited Model			
Passenger	71867-35010-B0	2	30.55
Driver	71868-35010-B0	2	30.55

12 Trim, Outer Seat (a)			
Limited Model			
Passenger	71811-35140-B0	2	52.90
Driver	71812-35190-B0	2	52.90

13 Trim, Inner Seat (a)			
Passenger	71811-35130-B0	2	48.07
Driver	71812-35180-B0	2	45.47

14 Switch, Power Seat (a)			
Limited Model			
Passenger	84922-60130	3	112.58
Driver	84922-60120	3	116.43

15 Switch, Lumbar (a)			
Driver	84920-60050-B3	3	52.90

16 Knob, Power Seat (a)			
Limited Model			
Slide			
Passenger	84921-58020-B2		12.29
Driver	84921-58020-B2		12.29

17 Recliner			
Passenger	84921-58010-B2		6.83
Driver	84921-58010-B2		6.83

18 Knob, Rotary (a)			
Sport, SR5 Model			
Driver	72457-58010-B1		9.77

19 Lever, Recliner (a)			
Sport, SR5 Model			
Passenger	72525-52020-B1		7.80
Driver	72526-52010-B1		7.80

20 Cover, Bolt (a)			
Front			
Passenger			
Outer	72123-35020-B0		11.66
Inner	72127-35020-B0		8.43
Outer	72124-35020-B0		11.66

21 Inner	72128-35020-B0		9.46
Rear Passenger			
Outer	72157-35010-B0		9.15
Inner	72137-35080-B0		9.15
Driver			
Outer	72138-35060-B0		9.15
Inner	72158-35020-B0		9.15

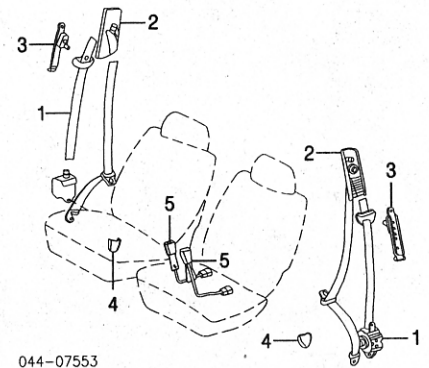
#Stone listed, Order by Application

REAR SEAT

R&L Rear Seat Complete 3

SEAT BELTS

FRONT



044-07553

1 Retractor, Seat Belt			
Dark Gray	R 73210-35880-B1	5	126.20
	L 73220-35750-B1	5	126.20
Fawn	R 73210-35880-E0	5	126.20
	L 73220-35750-E0	5	126.20
Stone	R 73210-35880-B0	5	126.20
	L 73220-35750-B0	5	126.20

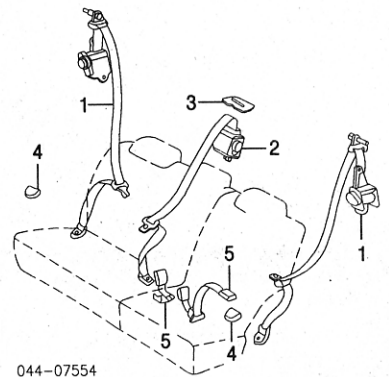
2 Cover, Upper Anchor			
Fawn	R 73023-35010-E0	2	19.43
	L 73024-35010-E0	2	19.43
Stone	R 73023-35010-B0	2	19.43
	L 73024-35010-B0	2	19.43

3 Adjuster, Anchor	R/L 73200-30080		43.56
--------------------	-----------------	--	-------

4 Cover, Lower Anchor			
Fawn	R/L 73233-60010-E0		3.69
Stone	R/L 73233-60010-B0		3.69

5 Buckle, Seat Belt			
Limited Model			
Fawn	R 73230-35800-E0	3	28.05
	L 73230-35790-E0	3	28.05
Stone	R 73230-35800-B0	3	28.05
	L 73230-35790-B0	3	28.05
Sport, SR5 Model			
Dark Gray	R 73230-35840-B1	3	28.05
	L 73230-35830-B1	3	28.05
Fawn	R 73230-35840-E0	3	28.05
	L 73230-35830-E0	3	28.05
Stone	R 73230-35840-B0	3	28.05
	L 73230-35830-B0	3	28.05

REAR



044-07554

Retractor, Seat Belt			
1 Outer			
Dark Gray	R 73360-35310-B1	#9	116.75
	L 73370-35240-B1	#9	116.75
Fawn	R 73360-35310-E0	#9	116.75
	L 73370-35240-E0	#9	116.75
Stone	R 73360-35310-B0	#9	116.75
	L 73370-35240-B0	#9	116.75
2 Center			
Dark Gray	73350-35150-B1	#6	116.75
Fawn	73350-35150-E0	#6	116.75

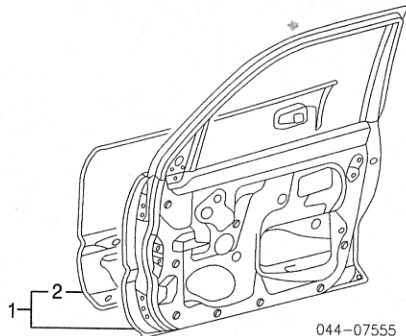
Stone	73350-35150-B0	#6	116.75
<i>#Includes R&I Rear Seat</i>			
3 Cover, Center Belt			
Dark Gray	73373-33020-B5		5.29
Fawn	73373-33020-E1		5.29
Stone	73373-33020-B6		5.29
4 Cover, Anchor			
Fawn	R/L 73233-60010-E0		3.69
Stone	R/L 73233-60010-B0		3.69
5 Buckle, Seat Belt			
Dark Gray	R 73380-35160-B1	.3	22.51
	L 73480-35010-B1	.3	34.23
Fawn	R 73380-35160-E0	.3	22.51
	L 73480-35010-E0	.3	34.23
Stone	R 73380-35160-B0	.3	22.51
	L 73480-35010-B0	.3	34.23

FRONT DOOR

Use Procedure Explanations 16 and 28 with the following text.

SHEET METAL

Refinish Door Outside.....	R/L	2.4
Add for Jambos & Interior.....	R/L	1.0
Add for Jambos.....	R/L	.5
R&I Door Assy.....	R/L	1.0



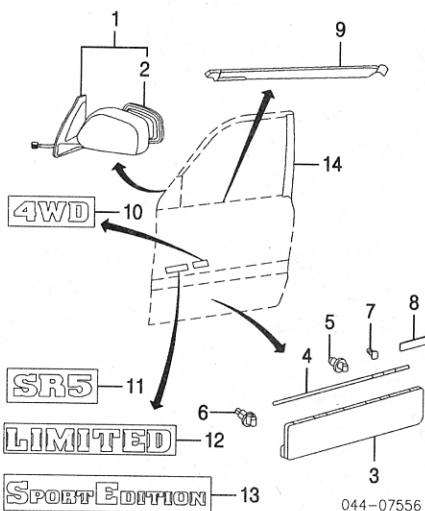
044-07555

1 Shell Assy, Door	R 67001-35510	#4.0	674.81
	L 67002-35530	#4.0	674.81
2 Panel, Door Repair	R 67111-35170	#6.0	237.33
	L 67112-35170	#6.0	237.33

#Included w/Door Shell Assy
#Includes R&I/R Mirror

EXTERIOR TRIM

Refinish Rear View Mirror.....	R/L	.7
Refinish Side Moulding.....	R/L	1.0
R&I Rear View Mirror.....	R/L	#7
<i>#Includes R&I Trim Panel</i>		
R&I Side Moulding.....	R/L	.5
R&I Belt Moulding.....	R/L	.2



044-07556

1 Mirror Assy, Outer			
Limited Model			
Black (Code 202)	R 87910-35630-C0	#.3	279.68
	L 87940-35630-C0	#.3	279.68
Blue (Code 8Q0)	R 87910-35630-J0	#.3	279.68
	L 87940-35630-J0	#.3	279.68
Champange (Code 587)	R 87910-35630-F0	#.3	279.68
	L 87940-35630-F0	#.3	279.68
Gray (Code 1E9)	R 87910-35630-B1	#.3	279.68
	L 87940-35630-B1	#.3	279.68
Gray/Blue (Code 8R3)	R 87910-35630-J1	#.3	279.68

Green (Code 6Q7)	L 87940-35630-J1	#.3	279.68
	R 87910-35630-G0	#.3	279.68
Silver (Code 1D4)	L 87940-35630-G0	#.3	279.68
	R 87910-35630-B0	#.3	279.68
White Pearl (Code 070)	L 87940-35630-A0	#.3	279.68
	R 87910-35630-A0	#.3	279.68
Sport, SR5 Model	R 87910-35630-B0	#.3	223.73
	L 87940-35630-A0	#.3	181.75

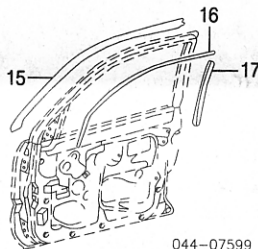
#w/Trim Panel Removed

2 Glass, Mirror			
Heated	R 87931-6A430	.2	134.67
	L 87961-6A300	.2	134.07
Non-Heated	R 87931-35600	.2	109.29
	L 87961-35620	.2	55.00

#Included w/Outer Mirror Assy

3 Moulding, Door			
Limited Model			
Black (Code 202)	R 75731-35110-C0	.5	351.56
	L 75732-35110-C0	.5	351.56
Blue (Code 8Q0)	R 75731-35110-J0	.5	351.56
	L 75732-35110-J0	.5	351.56
Champange (Code 587)	R 75731-35110-F0	.5	351.56
	L 75732-35110-F0	.5	351.56
Gray (Code 1E9)	R 75731-35110-B1	.5	351.56
	L 75732-35110-B1	.5	351.56
Gray/Blue (Code 8R3)	R 75731-35110-J1	.5	351.56
	L 75732-35110-J1	.5	351.56
Silver (Code 1D4)	R 75731-35110-B0	.5	351.56
	L 75732-35110-B0	.5	351.56
White Pearl (Code 070)	R 75731-35110-A0	.5	351.56
	L 75732-35110-A0	.5	351.56
Sport, SR5 Model	R 75731-35120	.5	242.56
	L 75732-35120	.5	242.56

4 Protector, Moulding Clip, Moulding			
Upper (6/Side)	R/L 75495-35010	.69	
Lower (2/Side)	R/L 75397-35010	.69	
7 Bolt, Mounting	R/L 90109-05058	.71	
8 Pad, Moulding	R/L 75793-35020	3.23	
<i>#As Required</i>			
9 Moulding, Outer Belt	R 68161-35060	.2	13.37
	L 68162-35060	.2	13.37
Nameplate (Adhesive)			
"4WD"	R/L 75442-35150	.2	20.69
"SR5"	R/L 75442-35140	.2	20.69
"LIMITED"	R/L 75442-35160	.2	27.69
"Sport Edition"	R/L 75442-35170	.2	31.18
14 Moulding, Window Frame	R 75755-35010	.2	37.13
	L 75756-35010	.2	37.13



044-07599

15 Tape, Black-Out	R 75921-35010	.2	32.58
	L 75922-35010	.2	32.58
Stripe, Door Side			
Front	R 75985-3D320	.2	29.52
	L 75986-3D200	.2	29.52
Rear	R 75975-35540	.2	14.80
	L 75976-35550	.2	14.80

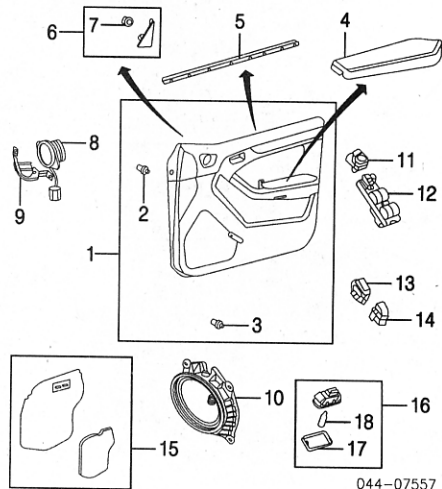
INTERIOR TRIM

R&I Trim Panel.....	R/L	.4
---------------------	-----	----

NOTE: All Parts in this section are included in R&R Trim Panel unless noted otherwise.

Illustration Located in Next Column

1 Panel Assy, Door Trim	R 67610-3D580-B0	.6	319.32
	L 67620-3D490-B0	.6	311.26
<i>#Gray listed, Order by Application</i>			
Clip, Panel			
Type A (10/Side)	R/L 90467-09206	.86	
Type B (2/Side)	R/L 90467-09203	.86	
<i>#Included w/Door Trim Panel Assy</i>			
4 Armrest, Door Panel			
Limited Model	R 74210-35220-B0	.2	59.02
	L 74220-35220-B0	.2	59.02
Sport, SR5 Model	R 74210-35210-B0	.2	47.10
	L 74220-35210-B0	.2	47.10
5 Moulding, Inner Belt	R 68171-35130	13.37	
	L 68172-35030	13.37	
6 Garnish Assy, Door Frame	R 67491-35040-B0	.1	6.20
	L 67492-35040-B0	.1	6.20
7 Clip, Garnish	R/L 90468-05106	.80	
<i>#Included w/Door Frame Garnish Assy</i>			
8 Speaker, Front Upper			
6 Speaker System	R/L 86160-35180	#.2	58.33
10 Speaker System	R/L 86160-0W690	#.2	83.84
9 Bracket, Speaker	R 86161-35010	9.26	

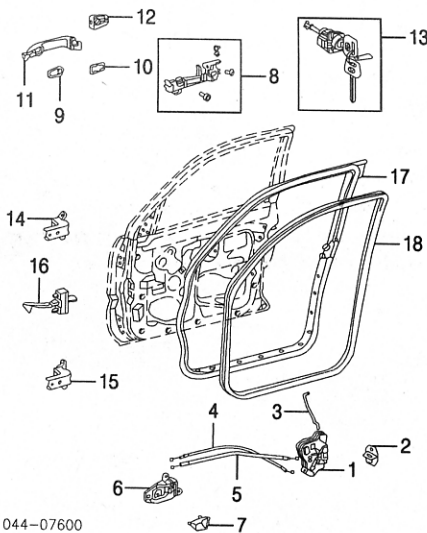


044-07557

10 Speaker, Front Lower			
6 Speaker System	R/L 86160-35190	#.2	91.16
10 Speaker System	R/L 86160-AA382	#.2	152.92
<i>#w/Trim Panel Removed, Not Included in R&R Trim Panel</i>			
11 Switch, Power Mirror	L 84872-52030	#.2	69.71
12 Switch, Master Window	L 84820-35090	#.2	332.24
13 Switch, Door Lock	R 84930-33080	#.2	51.30
14 Switch, Window	R 84810-12080	#.2	48.39
<i>#R&R Complete</i>			
15 Shield, Moisture	R 67801-35010	#	7.00
	L 67802-35010	#	7.00
<i>#w/Trim Panel Removed, Not Included in R&R Trim Panel</i>			
16 Lamp Assy, Courtesy	R/L 81230-30140	.2	15.14
17 Lens, Lamp	R/L 81231-50010	.1	6.26
18 Bulb, Lamp	R/L 00234-00194	.1	.54
<i>#Included w/Courtesy Lamp Assy</i>			
Switch, Courtesy Lamp	R/L 84231-60070	.2	15.32

HARDWARE

Refinish Upper Hinge.....	R/L	.2
Refinish Lower Hinge.....	R/L	.2
Refinish Outside Handle.....	R/L	.4
R&I Outside Handle.....	R/L	.3



044-07600

1 Lock, Door	R 69030-33261	#.3	214.49
	L 69040-33221	#.3	214.49
<i>#w/Trim Panel Removed</i>			
2 Striker	R/L 69410-AA030	.2	17.98
3 Rod, Lock Knob	R 69311-60040	7.34	
	L 69312-60040	7.34	
4 Cable, Locking	R/L 69750-35010	16.26	
5 Cable, Remote	R/L 69710-35040	16.26	
6 Handle, Inside	R 69205-44020-B1	31.52	
	L 69206-44020-B1	31.52	
	R 69297-30030-B2	4.34	
	L 69298-30030-B2	4.34	
8 Bracket, Outside Handle	R 69201-28010	#.3	64.50
	L 69202-28010	#.3	64.50
9 Gasket, Front Handle	R/L 69241-28060	.71	
10 Gasket, Rear Handle	R/L 69242-60030	.71	
11 Handle, Outside	R/L 69211-28070-C1	#.3	31.69
<i>#R&R One Side Complete, w/Trim Panel Removed</i>			
12 Cover, Handle	R 69217-60020-C0	7.57	

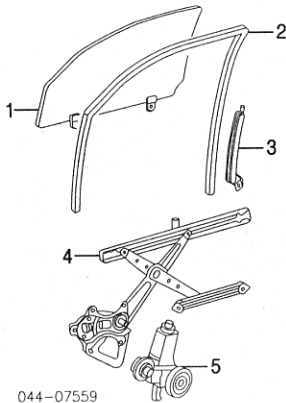
TOYOTA 4RUNNER 2003

FRONT DOOR Cont'd

HARDWARE Cont'd

	L 69217-28010-C1	5.63	
<i>†Black listed, Order by Application</i>			
Lock Set-See Steering Wheel/Column Section			
13	Cylinder, Key & Lock†	#3	46.00
	L 69052-35160		
<i>†Included w/Lock Set-listed in Steering Wheel/Column Section</i>			
<i>#w/Trim Panel Removed</i>			
14	Hinge, Upper Door	#2	36.47
	R 68710-35030		
	L 68720-35030	#2	36.47
15	Hinge, Lower Door	#2	39.98
	R 68730-35030		
	L 68740-35030	#2	39.98
<i>#w/Door Removed</i>			
16	Check, Door	.2	81.28
	R 68610-35040		
	L 68620-35020	.2	81.28
17	Weatherstrip, Door	.4	36.15
	R 67861-35090		
	L 67862-35080	.4	36.15
18	Weatherstrip, Door Opening	.3	61.56
	Fawn		
	L 62311-35020-E0	.3	60.65
	L 62312-35020-E0	.3	60.65
	Stone	.3	61.56
	L 62311-35020-B0	.3	60.65
	L 62312-35020-B0	.3	60.65

GLASS & PARTS



044-07559

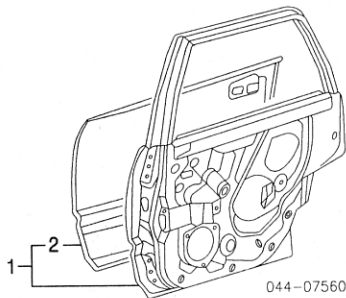
1	Glass, Door		
	Toyota		
	w/Theft Deterrent	R 68101-35210	12 217.13
		L 68102-35210	12 217.13
	w/o Theft Deterrent	R 68101-35200	12 201.21
		L 68102-35200	12 201.21
	NAGS	R/L FD21878-9GTY	12 665.90
2	Run, Door Glass	R 68141-35090	52.24
		L 68151-35080	52.24
3	Run, Lower	R 67403-35060	26.21
		L 67404-35060	26.21
4	Regulator, Window	R 69801-58010	#9 78.25
		L 69802-58010	#9 78.25
5	Motor, Regulator	R 85710-35180	#9 260.65
		L 85720-AE020	#9 341.93
<i>#R&R One Side Complete, w/Glass Removed Deduct .6</i>			

REAR DOOR

Use Procedure Explanations 16 and 28 with the following text.

SHEET METAL

Refinish Door Outside.....	R/L	2.2
Add for Jamb & Interior.....	R/L	1.0
Add for Locks.....	R/L	.5
R&I Door Assy.....	R/L	1.0

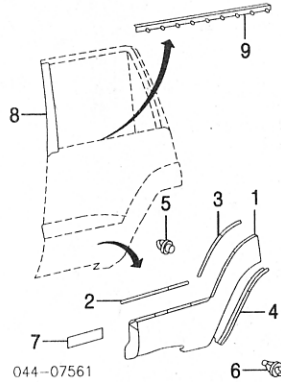


044-07560

1	Shell Assy, Door	R 67003-35170	3.5	567.09
		L 67004-35170	3.5	567.09
2	Panel, Door Repair†	R 67113-35060	5.5	199.46
		L 67114-35060	5.5	199.46
<i>†Included w/Door Shell Assy</i>				

EXTERIOR TRIM

Refinish Door Moulding.....	R/L	1.0
R&I Side Moulding.....	R/L	.5
R&I Belt Moulding.....	R/L	.2

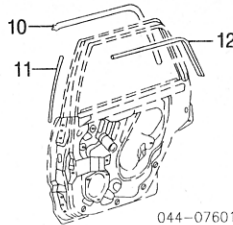


044-07561

1	Moulding, Door		
	Limited Model		
	Black (Code 202)	R 75741-35110-C0	.5 332.24
		L 75742-35110-C0	.5 332.24
	Blue (Code 8Q0)	R 75741-35110-J0	.5 332.24
		L 75742-35110-J0	.5 332.24
	Champagne (Code 587)	R 75741-35110-F0	.5 332.24
		L 75742-35110-F0	.5 332.24
	Gray (Code 1E9)	R 75741-35110-B1	.5 332.24
		L 75742-35110-B1	.5 332.24
	Gray/Blue (Code 8R3)	R 75741-35110-J1	.5 332.24
		L 75742-35110-J1	.5 332.24
	Silver (Code 1D4)	R 75741-35110-B0	.5 332.24
		L 75742-35110-B0	.5 332.24
	White Pearl (Code 070)	R 75741-35110-A0	.5 332.24
		L 75742-35110-A0	.5 332.24
	Sport, SR5 Model	R 75741-35120	.5 221.29
		L 75742-35120	.5 221.29

2	Protector, Moulding		
	Front	R/L 75797-35020	3.23
	Rear	R/L 75659-35060	5.63
4	Lower	R 75655-35010	26.29
		L 65676-35010	25.58

Clip, Moulding			
5	Upper (3/Side)	R/L 75495-35010	.69
6	Lower (3/Side)	R/L 75397-35010	.69
7	Pad, Moulding†	R/L 75793-35020	3.23
<i>†As Required</i>			
8	Moulding, Door Frame	R 75761-35010	.2 37.13
		L 75762-35010	.2 37.13
9	Moulding, Outer Belt	R 68163-35030	.2 13.37
		L 68164-35030	.2 13.37



044-07601

10	Tape, Black-Out	R 75923-35010	.2	32.58
		L 75924-35010	.2	32.58
	Stripe, Door Side			
11	Front	R 75977-35140	.2	18.46
		L 75978-35140	.2	18.46
12	Rear	R 75987-35320	.2	25.84
		L 75988-35340	.2	25.84

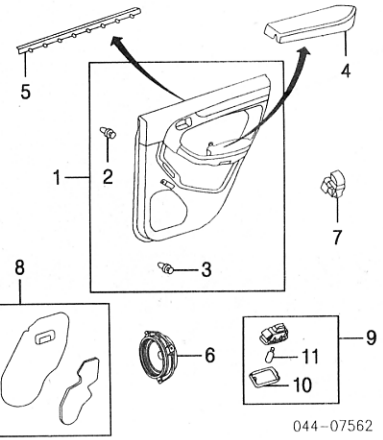
INTERIOR TRIM

R&I Trim Panel.....	R/L	.4
---------------------	-----	----

NOTE: All Parts in this section are included in R&R Trim Panel unless noted otherwise.

Illustration Located in Next Column

1	Panel Assy, Door Trim†	R 67630-35770-B0	.6	270.62
		L 67640-35760-B0	.6	270.62
<i>†Gray listed, Order by Application</i>				
	Clip, Panel†			
2	Type A (9/Side)	R/L 90467-09206	.86	
3	Type B	R/L 90467-09203	.86	
<i>†Included w/Door Trim Panel Assy</i>				
4	Armrest, Door Panel			
	Limited Model	R 74250-35210-B0	.2	59.02
		L 74260-35200-B0	.2	59.02

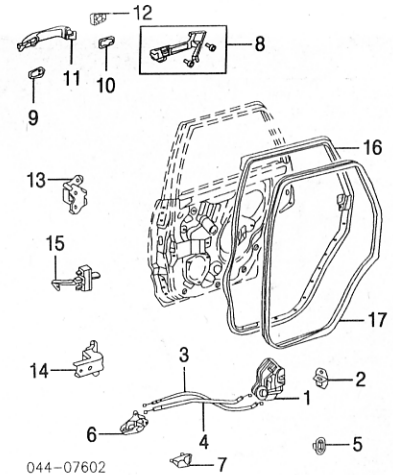


044-07562

Sport, SR5 Model	R 74250-35200-B0	.2	47.10
	L 74260-35190-B0	.2	47.10
5	Moulding, Inner Belt	R 68173-35040	13.37
	L 68174-35030	13.37	
6	Speaker, Door		
	6 Speaker System	R/L 86160-22890	#2 74.27
	10 Speaker System	R/L 86160-0W620	#2 112.73
<i>#w/Trim Panel Removed, Not Included in R&R Trim Panel</i>			
7	Switch, Window	R/L 84810-12080	.2 48.39
8	Shield, Moisture	R 67805-35010	# 7.00
		L 67806-35010	# 7.00
<i>#w/Trim Panel Removed, Not Included in R&R Trim Panel</i>			
9	Lamp Assy, Courtesy	R/L 81230-30140	.2 15.14
10	Lens, Lamp†	R/L 81231-50010	.1 6.26
11	Bulb, Lamp†	R/L 00234-00194	.1 .54
<i>†Included w/Courtesy Lamp Assy</i>			
	Switch, Courtesy Lamp	R/L 84231-60070	.2 15.32

HARDWARE

Refinish Upper Hinge.....	R/L	.2
Refinish Lower Hinge.....	R/L	.2
Refinish Outside Handle.....	R/L	.4
R&I Outside Handle.....	R/L	.3

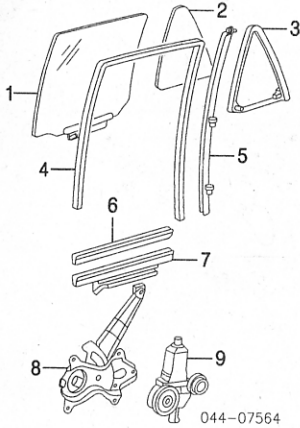


044-07602

1	Lock, Door	R 69050-60090	#3	188.77
		L 69060-60090	#3	188.77
<i>#w/Trim Panel Removed</i>				
2	Striker	R/L 69410-AA030	.2	17.98
3	Cable, Locking	R/L 69770-35010		16.26
4	Cable, Remote	R/L 69730-35020		16.26
5	Cover, Child Lock	R/L 67836-12040		7.17
6	Handle, Inside	R 69205-44020-B1		31.52
		L 69206-44020-B1		31.52
		R 69297-30030-B2		4.34
		L 69298-30030-B2		4.34
8	Bracket, Outside Handle	R 69203-60010	#3	82.57
		L 69204-60010	#3	82.57
9	Gasket, Front Handle	R/L 69241-28060		.71
10	Gasket, Rear Handle	R/L 69242-60030		.71
11	Handle, Outside†	R/L 69211-28070-C1	#3	31.69
<i>#R&R One Side Complete, w/Trim Panel Removed</i>				
12	Cover, Handle†	R/L 69227-60020-C0		7.57
<i>†Black listed, Order by Application</i>				
13	Hinge, Upper Door	R 68750-35040	#2	36.47
		L 68760-35040	#2	36.47
14	Hinge, Lower Door	R 68770-35050	#2	36.47
		L 68780-35040	#2	36.47
<i>#w/Door Removed</i>				
15	Check, Door	R 68630-35040	.2	81.28
		L 68640-35020	.2	81.28

16 Weatherstrip, Door	R 67871-35060	.4	31.54
	L 67872-35060	.4	31.54
17 Weatherstrip, Door Opening			
Fawn	R 62331-35020-E0	.3	51.90
	L 62332-35020-E0	.3	51.90
Stone	R 62331-35020-B0	.3	51.90
	L 62332-35020-B0	.3	51.90

GLASS & PARTS



1 Glass, Door			
Toyota			
Gray	R 68113-35100	1.2	88.49
	L 68114-35100	1.2	88.49
Green	R 68113-35090	1.2	64.86
	L 68114-35090	1.2	64.86
NAGS			
w/Hardware			
Gray	R/L FD21880-1YPY	1.2	0.00
Green	R/L FD21880-1GTY	1.2	0.00
w/o Hardware			
Gray	R/L FD21880-1YPN	1.2	619.00
Green	R/L FD21880-1GTN	1.2	571.30
2 Glass, Rear Vent			
Toyota			
Gray	R 68123-35070	#.5	43.61
	L 68124-35070	#.5	43.61
Green	R 68123-35060	#.5	31.98
	L 68124-35060	#.5	31.98
NAGS			
Gray	R/L FV21882-3YTN	#.5	0.00
Green	R/L FV21882-3GTN	#.5	514.25
3 W/Strip, Vent Glass	R 68188-35020	#.5	8.62
	L 68189-35020	#.5	8.62
#R&R One Side Complete, w/Door Glass Removed			
4 Run, Glass	R 68142-35040		42.61
	L 68152-35040		42.61
5 Bar, Division	R 67407-35040		52.24
	L 67408-35040		52.24
6 W/Strip, Glass	R/L 69975-52010		6.20
7 Channel, Glass	R 69905-35020		14.26
	L 69906-35010		14.26
8 Regulator, Window	R 69803-35080	#.8	63.01
	L 69804-35080	#.8	63.01
9 Motor, Regulator	R 85720-35140	#.8	260.65
	L 85710-35180	#.8	260.65
#R&R One Side Complete, w/Glass Removed Deduct .6			

ROOF

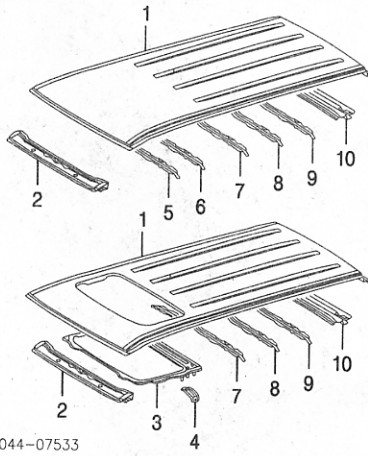
Use Procedure Explanations 17 and 28 with the following text.

SHEET METAL

Refinish Roof Outside	3.8
-----------------------------	-----

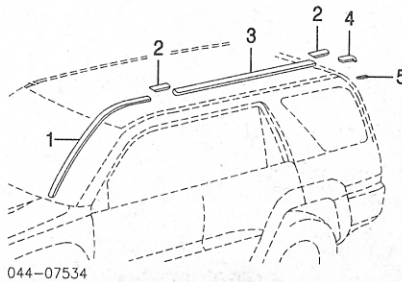
Illustration Located in Next Column

1 Panel, Roof			
w/Sunroof	63111-35260	21.5	809.88
w/o Sunroof	63111-35210	19.5	809.88
2 Panel, Front Header	63103-35010	2.0	128.04
3 Reinf, Sunroof Panel	63142-60801		129.98
4 Bracket, Reinf	R/L 61281-60030		6.03
Reinf, Roof Panel			
5 No. 1			
w/o Sunroof	63141-35040	1.0	37.75
6 No. 2			
w/o Sunroof	63143-35020	1.0	41.61
7 No. 3	63123-35010	1.0	37.75
8 No. 4	63125-35020	1.0	37.75
9 No. 5	63126-35020	1.0	66.13
10 Panel, Rear Header	63019-35010	2.0	122.89



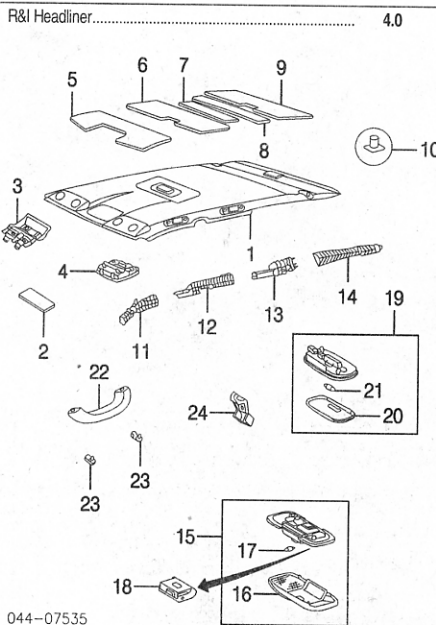
EXTERIOR TRIM

R&I Drip Moulding Complete.....	R/L	.4
---------------------------------	-----	----



1 Moulding, Front Drip	R 75533-35040	.2	50.67
	L 75534-35010	.2	50.67
2 Cover, Moulding (2/Side)	R/L 75596-42010		6.54
3 Moulding, Drip	R/L 75557-35010	.2	60.02
4 Moulding, Rear Drip	R 75553-35010		12.46
	L 75554-35010		12.46
5 Clip, Roof Moulding	R/L 75561-42030		6.40

INTERIOR TRIM

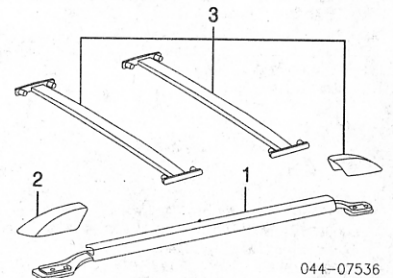


1 Headliner			
w/Rear Audio Control	63321-35050-B0	4.0	1225.67
w/Sunroof	63311-35290-B0	4.0	1225.67
w/o Rear Audio Control	63321-35040-B0	4.0	1225.67
w/Sunroof	63311-35280-B0	4.0	1225.67
*Stone listed, Order by Application			
2 Pad, Front Roof	63119-35010		17.98
w/o Sunroof (2)			

3 Bracket, Dome Lamp	63137-35010		76.76
w/o Sunroof			
4 Box, Console			
w/Sunroof	63670-0W040-B0	.2	97.43
w/o Sunroof	63670-0W010-B0	.2	97.43
*Stone listed, Order by Application			
Pad, Silencer			
5 No. 1	63341-35130		20.38
6 No. 2	63342-35010		24.89
7 No. 3	63342-35050		11.52
8 No. 4	63342-35040		16.29
9 No. 5	63342-35040		24.89
10 Clip, Headliner (4)	90467-05164-B1		.57
*Stone listed, Order by Application			
Spacer, Headliner			
11 No. 1			
w/Side Curtain Air Bag	R 66413-35020		14.43
	L 66423-35020		14.43
w/o Side Curtain Air Bag	R 66413-35010		24.09
	L 66423-35010		24.09
12 No. 2			
w/Side Curtain Air Bag	R 66414-35020		34.52
	L 66424-35020		34.52
w/o Side Curtain Air Bag	R 66414-35010		52.24
	L 66424-35010		52.24
13 No. 3			
w/Side Curtain Air Bag	R 66415-35020		11.03
w/Sunroof	L 66425-35020		11.03
w/o Sunroof	R 66415-35060		20.63
	L 66425-35060		20.63
w/o Side Curtain Air Bag	R 66415-35010		18.61
w/Sunroof	L 66425-35010		18.61
w/o Sunroof	R 66415-35050		34.52
	L 66425-35050		34.52
14 No. 4			
w/Sunroof	R 66416-35020		45.47
	L 66426-35020		45.47
w/o Sunroof	R 66416-35010		63.88
	L 66426-35010		63.88
15 Lamp Assy, Front Dome			
w/Rear Audio Control-Serviced by Components			
w/Rear Radio Control			
Fawn	81240-33030-E0	.2	34.36
Stone	81240-33030-B2	.2	34.36
16 Lens, Dome Lamp (a)			
w/Rear Audio Control	81251-35010-B0	.1	12.30
w/o Rear Audio Control	81241-33030	.1	5.40
*Order by Application			
17 Bulb, Lamp (a)	90981-14011	.2	2.00
*As Required			
(a) Included w/Front Dome Lamp Assy			
18 Control, Rear Audio	86230-35020	.2	574.14
Switch, Sunroof-See Sunroof Section			
19 Lamp Assy, Rear Dome			
Fawn	81240-33030-E0	.2	34.36
Stone	81240-33030-B2	.2	34.36
20 Lens, Lamp	81241-33030	.1	5.40
21 Bulb, Lamp	90981-14011	.2	2.00
*Included w/Rear Dome Lamp Assy			
22 Handle, Assist			
Front			
Fawn	R 74603-60010-E0	.2	20.49
Stone	R 74603-60010-B0	.2	20.49
Rear			
Fawn	R/L 74603-60010-E0	.2	20.49
Stone	R/L 74603-60010-B0	.2	20.49
23 Cover, Handle (2/Side)			
Type A			
Fawn	74617-60040-E0		1.60
Stone	74617-60040-B0		1.60
Type B			
Fawn	74617-60050-E0		1.60
Stone	74617-60050-B0		1.60
24 Hook, Coat			
Fawn	74631-35030-E0		4.92
Stone	74631-35030-B0		4.92

ROOF LUGGAGE RACK

R&I Luggage Rack Complete5
---------------------------------	----



1 Rail, Side			
Black	R 63460-35030	.3	361.25
Silver	L 63470-35020	.3	361.25
	R 63460-35020	.3	361.25
	L 63470-35010	.3	361.25
2 Cap, Front			
Black	R 63491-35020		83.25
	L 63492-35020		83.25
Silver	R 63491-35010		83.25
	L 63492-35010		83.25

TOYOTA 4RUNNER 2003

ROOF Cont'd

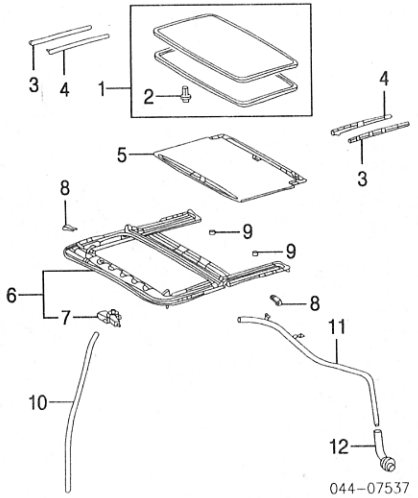
ROOF LUGGAGE RACK Cont'd

3 Bar Kit, Cross	63047-35020	374.16
Black	63047-35010	374.16
Silver		

SUNROOF

O/H Sunroof..... 3.5

NOTE: All Parts in this section are included in overhaul unless noted otherwise.



1 Glass Assy, Sunroof	63201-35080	2.0	447.11
2 Clip, Glass (4)	90467-07152-C0		1.24
<i>#Included w/Sunroof Glass Assy</i>			
Garnish, Sunroof			
3 Outer	R 63217-35020		23.98
	L 63218-35030		23.98
4 Inner	R 63255-35020		14.40
	L 63256-35010		14.40
Sunshade, Sunroof			
Fawn	63306-35060-E0		229.98
Stone	63306-35060-B0		229.98
6 Frame Assy, Sunroof	63200-35030	2.0	1951.39
7 Motor, Sunroof	63260-35050	1.0	321.69
<i>#Included w/Sunroof Frame Assy</i>			
8 Bracket, Mounting (2/Side)	R/L 63241-35010		6.03
9 Stopper, Sunroof	R/L 63229-35010		1.03
10 Hose, Front Drain	R/L 63249-35140		16.86
11 Hose, Rear Drain	R 63247-35020		15.38
	L 63248-35010		16.55
12 Grommet, Hose	R/L 63669-35010		7.86

QUARTER PANEL

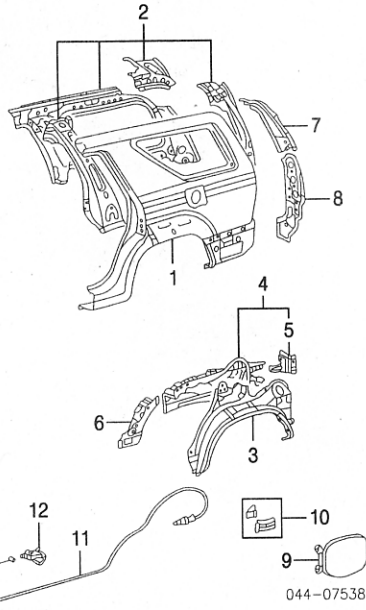
Use Procedure Explanations 20 and 28 with the following text.

SHEET METAL

Refinish Quarter Panel Outside.....	R/L	2.3
Add for Pillar.....	R/L	5
Add to Edge Panel.....	R/L	5
Refinish Fuel Door.....		#.4
<i>#Included in Refinish Left Quarter Panel</i>		
R&R Both Quarter Panels.....		36.2
R&R Roof & Both Quarter Panels		
w/Sunroof.....		51.7
w/o Sunroof.....		49.7
Add to R&R Quarter Panel		
To R&L Quarter Glass.....	R/L	2

Illustration Located in Next Column

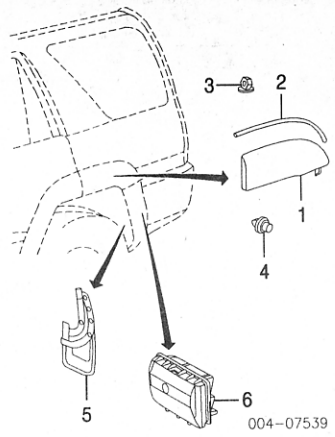
1 Panel, Quarter	R 61611-35200	#19.0	523.46
	L 61612-35140	#18.5	523.46
<i>#Deduct 3.0 w/Roof Removed, Deduction Includes Common Surfaces & Included Operations</i>			
2 Reinf, Quarter Panel	R 61703-35901	5.0	528.98
	L 61704-35900	5.0	528.98
3 Panel, Outer Whlchse	R 61631-35901	2.0	125.81
	L 61632-35900	2.0	125.81
4 Panel Assy, Inner Wheelhouse			
w/Navigation System	R 61633-35901	2.0	125.81
	L 61634-35900	2.0	166.45
w/o Navigation System	R 61633-35900	2.0	125.81
	L 61634-35900	2.0	166.45
5 Gusset, Rear	R 61645-60050		15.58
	L 61646-35010		15.58



<i>#Included w/Inner Wheelhouse Panel Assy</i>			
6 Panel, Front Inner	R 61641-60902	1.0	120.63
	L 61642-60902	1.0	120.63
7 Extension, Quarter Panel	R 61625-35020	1.5	39.04
	L 61626-35020	1.5	39.04
8 Trough, Door Opening	R 61621-35020	1.5	49.67
	L 61622-35020	1.5	49.67
9 Door, Fuel	L 77350-35050	.3	40.33
10 Spring, Fuel Door	L 77360-30080		3.60
11 Cable, Fuel Door	L 77035-35120		28.58
12 Lever, Release	L 77306-28050-C0		11.06

EXTERIOR TRIM

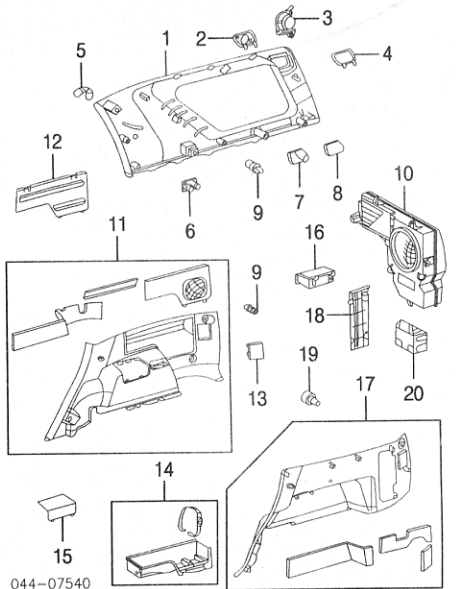
Refinish Quarter Panel Moulding.....	R/L	.8
R&L Quarter Panel Moulding.....	R/L	.3
R&L Mudguard.....	R/L	.2



1 Moulding, Quarter Panel			
<i>Limited Model</i>			
Black (Code 202)	R 75653-35080-C0	.3	135.47
	L 75654-35080-C0	.3	135.47
Blue (Code 8Q0)	R 75653-35080-J0	.3	135.47
	L 75654-35080-J0	.3	135.47
Champagne (Code 587)	R 75653-35080-F0	.3	135.47
	L 75654-35080-F0	.3	135.47
Gray (Code 1E9)	R 75653-35080-B1	.3	135.47
	L 75654-35080-B1	.3	135.47
Gray/Blue (Code 8R3)	R 75653-35080-J1	.3	135.47
	L 75654-35080-J1	.3	135.47
Silver (Code 1D4)	R 75653-35080-A0	.3	135.47
	L 75654-35080-A0	.3	135.47
White Pearl (Code 070)	R 75653-35080-B0	.3	135.47
	L 75654-35080-B0	.3	135.47
Sport, SR5 Model	R 75653-35090	.3	90.31
	L 75654-35090	.3	90.31
2 Protector, Moulding	R/L 75659-35060		5.63
3 Nut, Plastic (3/Side)	R/L 90189-06116		1.17
4 Clip, Moulding (3/Side)	R/L 75495-35010		.69
5 Mudguard, Rear	R 78607-35090	.2	35.32
	L 78626-35190	.2	24.98
6 Vent, Quarter	R 62903-60060	#.2	73.85
	L 62904-60050	#.2	73.85

#w/Rear Bumper Cover Removed

INTERIOR TRIM

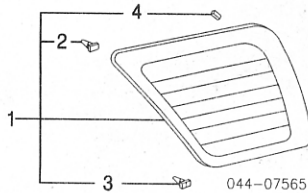


1 Panel, Inner Trim			
Fawn	R 62470-35900-E0	.4	292.23
	L 62480-35900-E0	.4	291.25
Stone	R 62470-35900-B0	.4	292.23
	L 62480-35900-B0	.4	291.25
Clip, Panel (5/Side)	R/L 90467-10161		.80
2 Grille, Speaker			
w/10 Speaker System			
Fawn	R 86269-35010-E0	.1	27.47
	L 86279-35010-E0	.1	27.47
Stone	R 86269-35010-B0	.1	27.47
	L 86279-35010-B0	.1	27.47
3 Speaker			
w/10 Speaker System			
Fawn	R 86160-0W670	.2	83.84
	L 86160-0W680	.2	83.84
4 Mirror, Interior			
w/10 Speaker System			
Fawn	R 86269-35010-E0	.2	27.47
	L 86279-35010-E0	.2	27.47
Stone	R 86269-35010-B0	.2	27.47
	L 86279-35010-B0	.2	27.47
5 Cover, Panel			
w/Side Curtain Air Bag			
Fawn	R 62521-35020-E0		2.77
	L 62522-35020-E0		2.77
Stone	R 62521-35020-B0		2.77
	L 62522-35020-B0		2.77
w/o Side Curtain Air Bag			
Fawn	R 62521-35010-E0		2.77
	L 62522-35010-E0		2.77
Stone	R 62521-35010-B0		2.77
	L 62522-35010-B0		2.77
6 Holder, Tonneau Cover			
Fawn	R 64935-35050-E0		7.69
	L 64936-35040-E0		7.69
Stone	R 64935-35050-B0		7.69
	L 64936-35040-B0		7.69
7 Hook, Tonneau Cover			
Fawn	R 64938-35030-E0		18.61
	L 64936-35030-E0		22.69
Stone	R 64938-35030-B0		18.61
	L 64936-35030-B0		22.69
8 Cover, Hole			
w/o Tonneau Cover			
Fawn	R 64938-35050-E0		11.03
	L 64946-35050-E0		11.03
Stone	R 64938-35050-B0		11.03
	L 64946-35050-B0		11.03
9 Hook, Net (2/Side)			
Fawn	R/L 64267-0C010-E1		8.57
Stone	R/L 64267-0C010-B1		8.57
10 Speaker, Sub-Woof	R 86150-0W040	.3	374.98
11 Panel, Right Trim			
w/10 Speaker System			
Fawn	64714-35904-E1	.5	361.25
Stone	64714-35904-B1	.5	361.25
w/o 10 Speaker System			
Fawn	64714-35903-E1	.5	361.25
Stone	64714-35903-B1	.5	361.25
12 Cover, Opening			
w/o 10 Speaker System			
Fawn	62693-35030-E0		85.48
Stone	62693-35030-B0		85.48
13 Cover, Lamp Service			
Fawn	R 64745-35010-E0		14.06
	L 64746-35010-E0		14.06
Stone	R 64745-35010-B0		14.06
	L 64746-35010-B0		14.06
14 Pocket, Quarter Trim	R 62690-35010		102.89
15 Cover, Trim			
w/Navigation System			

Fawn	R	86843-35010-E0	50.01
Stone	R	86843-35010-B0	50.01
16 Pocket, Panel			
Fawn	R	62580-35020-E0	78.71
Stone	R	62580-35010-E0	78.71
	R	62580-35020-B0	78.71
	L	62590-35010-E0	78.71
17 Panel, Left Trim			
Fawn		64715-35902-E1	4 345.13
Stone		64715-35902-B1	4 345.13
18 Cover, Jack			
Fawn		64766-35010-E0	54.84
Stone		64766-35010-B0	54.84
19 Clip, Trim Panel (6/Side)	R/L	90467-10161	.80
20 Relay	L	81985-35010	31.92

QUARTER GLASS

R&L Quarter Glass..... R/L #2.2
 #Includes Clean Up Old Adhesive as Necessary



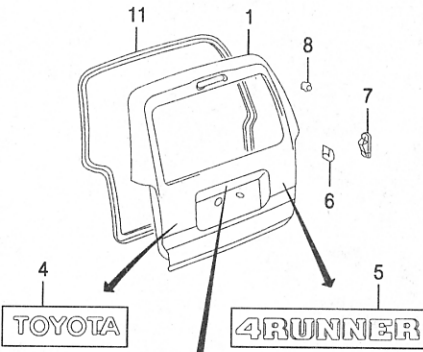
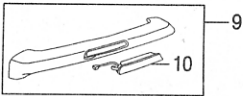
1 Glass Assy, Quarter			
Toyota			
Gray	R	62730-35120	#2.0 262.99
	L	62740-35111	#2.0 263.62
Green	R	62730-35100	#2.0 200.68
	L	62740-35090	#2.0 226.95
NAGS			
Gray	R/L	FQ21884-5YPY	#2.0 0.00
Green	R/L	FQ21884-5GTY	#2.0 0.00
		#Includes Clean Up Old Adhesive as Necessary	
2 Spacer, Glass	R/L	62786-35010	1.51
3 Clip, Glass (2/Side)	R/L	62775-35020	2.31
4 Stopper, Glass	R/L	62722-20010	.94
		#Included w/Quarter Glass Assy	

LIFTGATE

Use Procedure Explanations 25 and 28 with the following text.

SHEET METAL/EXTERIOR TRIM

Refinish Gate Outside.....	2.3
Add for Jambes & Interior.....	1.0
Refinish License Plate Garnish.....	.7
Refinish Spoiler.....	1.0
R&L Gate Assy.....	1.0
R&L License Plate Garnish.....	#.7
	#Includes R&R Liftgate Panel & Panel Cover
R&L Spoiler.....	.5



1 Liftgate			
w/Spoiler			
w/Rear View Monitor		67005-35340	4.2 591.63
w/o Rear View Monitor		67005-35320	4.0 591.63
w/o Spoiler			
w/Rear View Monitor		67005-35330	3.9 591.63
w/o Rear View Monitor		67005-35310	3.5 591.63
		#Order by Application	
2 Garnish Assy, License Plate			

Limited Model			
w/Rear View Monitor			
Black (Code 202)		76801-35410-C0	#.3 157.07
Blue (Code 8Q0)		76801-35410-J0	#.3 157.07
Champange (Code 587)		76801-35410-F0	#.3 157.07
Gray (Code 1E9)		76801-35410-B1	#.3 157.07
Gray/Blue (Code 8R3)		76801-35410-J1	#.3 157.07
Silver (Code 1D4)		76801-35410-B0	#.3 157.07
White Pearl (Code 070)		76801-35410-A0	#.3 157.07
w/o Rear View Monitor			
Black (Code 202)		76801-35380-C0	#.3 157.07
Blue (Code 8Q0)		76801-35380-J0	#.3 157.07
Champange (Code 587)		76801-35380-F0	#.3 157.07
Gray (Code 1E9)		76801-35380-B1	#.3 157.07
Gray (Code 1E9)		76801-35380-J1	#.3 157.07
Silver (Code 1D4)		76801-35380-B0	#.3 157.07
White Pearl (Code 070)		76801-35380-A0	#.3 157.07

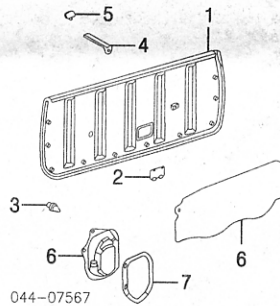
Sport, SR5 Model			
w/Rear View Monitor			
Metallic		76801-35420	#.3 157.07
Silver		76801-35430	#.3 157.07
w/o Rear View Monitor			
Metallic		76801-35390	#.3 157.07
Silver		76801-35400	#.3 157.07

#w/Liftgate Panel & Panel Cover Removed
 3 Emblem, Tri-Circle (Adhesive) 90975-02038 .2 35.84
 #Included w/License Plate Garnish Assy

Nameplate (Adhesive)			
4 "TOYOTA"		75442-16530	.2 20.75
5 "4RUNNER"		75445-35050	.2 32.27
6 Stopper, Liftgate	R/L	67281-35020	.1 10.26
7 Cushion, Liftgate	R	67293-35020	.1 15.43
	L	67294-35010	.1 15.43
8 Stopper, Upper	R/L	50541-09069	.1 0.00

9 Spoiler Assy, Liftgate			
Black (Code 202)		76085-35050-C0	.5 597.23
Blue (Code 8Q0)		76085-35050-J0	.5 597.23
Champange (Code 587)		76085-35050-F0	.5 597.23
Gray (Code 1E9)		76085-35050-B1	.5 597.23
Gray/Blue (Code 8R3)		76085-35050-J1	.5 597.23
Green (Code 6Q7)		76085-35050-G0	.5 597.23
Red (Code 3P1)		76085-35050-D0	.5 597.23
Silver (Code 1D4)		76085-35050-B0	.5 597.23
White (Code 056)		76085-35050-A0	.5 597.23
White Pearl (Code 070)		76085-35050-A1	.5 597.23
10 Lamp Assy, High Mount	#See Rear Lamps Section		
	#Included w/Liftgate Spoiler Assy		
11 W/Strip, Liftgate		67881-35030	.4 65.22

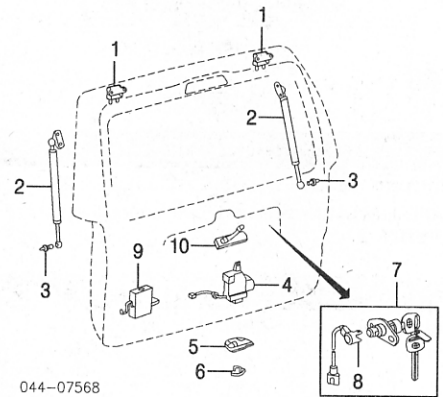
INTERIOR TRIM



1 Panel, Liftgate			
Fawn		64781-35020-E0	.3 184.51
Stone		64781-35020-B0	.3 184.51
2 Cover, Service			
Fawn		64791-35010-E0	12.38
Stone		64791-35010-B0	12.38
3 Clip, Panel (11)		90467-09206	.86
4 Strap, Pull			
Fawn		74650-35030-E0	.1 14.23
Stone		74650-35030-B0	.1 14.23
5 Cover, Hole			
Fawn		74629-35020-E0	4.20
Stone		74629-35020-B0	4.20
6 Cover, Panel	R	67847-35020	.2 32.58
	L	67848-35020	.2 9.35
7 Protector, Panel		67893-35020	11.40

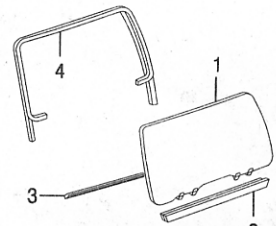
HARDWARE

Refinish Hinge.....	R/L	.2
		Illustration Located in Next Column
1 Hinge	R/L	68810-21050 #.2 26.01
		#w/Liftgate Assy Removed
2 Stay, Liftgate	R	68907-35050 #.2 118.41
	L	68908-35050 #.2 118.41
		#w/Liftgate Removed Deduct .1
3 Pin, Pivot	R/L	68961-35050 #.2 5.17
4 Lock, Liftgate		69110-35060 #.2 209.92
		#w/Necessary Trim Removed
5 Protector, Lock		69308-35010 24.38
6 Striker, Lock		69410-35030 .2 16.69
7 Cylinder/Key Assy		69055-35100 #.2 68.10
		#Included w/Lock Set-listed in Steering Wheel/Column Section



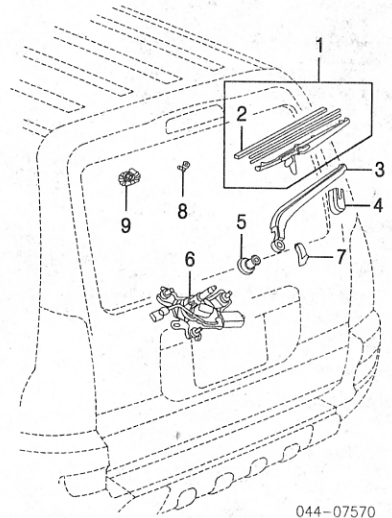
8 Switch, Micro (a)	84830-35050	#.2 55.16
	(a) Included w/Liftgate Lock Assy	
9 Computer, Multiplex	89222-35010	#.2 220.29
	#w/Multiplex Trim Removed	
10 Switch, Liftgate	84840-35010	.2 47.41

GLASS & PARTS



1 Glass, Liftgate			
Toyota			
Gray		68150-35270	.9 710.33
Green		68150-35260	.9 611.20
NAGS			
Gray		FB21886YPY	.9 2236.40
Green		FB21886GTY	.9 2006.65
2 Weatherstrip, Outer		68290-35030	.3 16.71
3 Weatherstrip, Inner		68291-35020	.3 16.71
4 Run, Glass		68275-35020	98.71
5 Regulator		69807-35020	1.1 109.35
6 Motor, Regulator		85720-35150	.6 341.93

WIPER SYSTEM



TOYOTA 4RUNNER 2003

LIFTGATE Cont'd

WIPER SYSTEM Cont'd

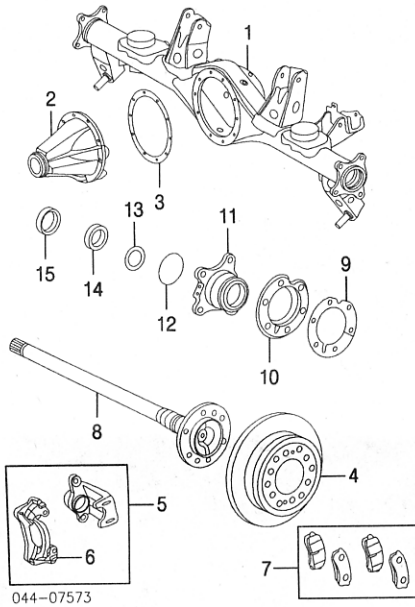
1 Blade Assy, Wiper	85242-35020	.1	10.17
2 Insert, Wiper	85214-22440	.1	2.57
*Included w/Wiper Blade Assy			
3 Arm, Wiper	85241-35030	#2	37.75
*Includes R&R Wiper Blade & Insert			
4 Cap, Arm	85292-35010		3.46
5 Grommet, Wiper Arm	85143-35070		1.66
6 Motor, Wiper	85130-35080	.6	197.30
7 Stop, Wiper Arm	85293-35020		13.58
8 Nozzle, Washer	85391-35010	.2	9.77
9 Boot, Hose	85373-35030		4.00

REAR SUSPENSION

Use Procedure Explanation 23 with the following text.

R&I Suspension/Axle Housing Assy	m	2.5
Check Rear Alignment	m	.8
Add to Adjust Front Alignment	m	.7
Bleed Brake System	m	.5

NOTE: R&I/R&R Does Not include alignment or bleed brake system.

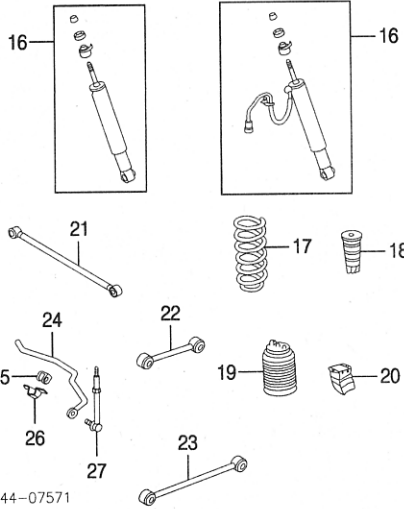


044-07573

1 Housing, Diff'l			
w/Air Susp	42110-60830	m #4.2	854.73
w/o Air Susp	42110-60820	m #4.2	854.73
2 Housing, Carrier	41101-35170	m #6.0	308.42
*Includes R&R Axle Shafts, Rotors, Bearings & Seals			
3 Gasket, Housing	42181-60120	m	6.46
4 Rotor, Brake	R/L 42431-60200	m #6	106.94
*R&R Both 1.0			
5 Caliper Assy, Brake	R 47730-35170	m #5	319.38
	L 47750-35170	m #5	319.38
6 Carrier, Caliper	R 47721-60020	m #5	71.93
	L 47722-60020	m #5	71.93
*Included w/Brake Caliper Assy			
*R&R One Side Complete, R&R Both Sides .8			
7 Pad Set, Brake	04466-60060	m #1.0	59.73
*Deduct .5 for Each Caliper Removed			
8 Shaft, Axle	R/L 42311-60240	m #2.0	364.48
9 Gasket, Oil Deflector	R/L 42443-60010	m #2.0	1.77
10 Deflector, Oil	R/L 42441-60060	m #2.0	19.06
11 Hub/Bearing			
Koyo Brand	R 42450-60050	m #2.0	301.29
	L 42460-60010	m #2.0	301.29
NSK Brand	R 42450-60060	m #2.0	301.29
	L 42460-60020	m #2.0	301.29
12 O-Ring	R/L 90301-83002	m #2.0	2.80
13 Washer	R/L 90208-44001	m #2.0	3.49
14 Retainer, Bearing	R/L 42423-60050	m #2.0	19.35
15 Seal, Oil	R/L 90310-58003	m #2.0	5.68
*R&R One Side Complete, R&R Both Sides 3.8			

Illustration Located in Next Column

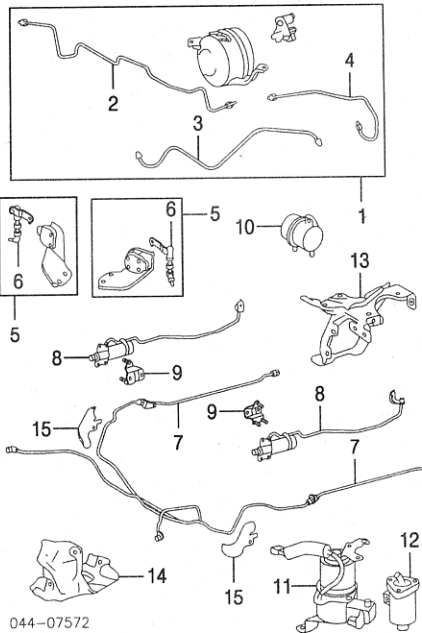
16 Absorber, Shock			
w/Air Susp	R 48530-80090	m #6	158.37
	L 48540-39455	m #6	158.37
w/o Air Susp			
2WD	R/L 48530-80087	m #6	31.02
4WD	R/L 48530-80088	m #6	31.02
*Order by Application			



044-07571

*R&R Both 1.0			
17 Spring, Coil	R/L 48231-35280	m #8	47.28
18 Bumper, Shock	R/L 48302-35040	m #8	62.59
*R&R One Side Complete R&R Both Sides 1.4			
19 Spring, Air			
w/Air Susp	R 48080-35011	m #8	219.35
	L 48090-35011	m #8	217.69
20 Bumper, Stop			
w/Air Susp	R/L 48306-60200	m #8	33.21
w/o Air Susp	R/L 48306-60180	m #8	39.98
*R&R One Side Complete			
21 Rod, Lateral Control	48740-35040	m	186.14
22 Arm, Upper Control			
w/Air Susp	R 48710-35060	m #9	92.88
	L 48710-35070	m #9	92.88
w/o Air Susp	R/L 48710-33051	m #9	112.58
*R&R Both 1.6			
23 Arm, Lower Control	R/L 48720-35060	m #7	164.19
*R&R Both 1.2			
24 Bar, Stabilizer	48812-60190	m #9	73.76
25 Bushing, Stabilizer	R/L 48815-26100	m #9	9.49
26 Clamp, Bushing	R/L 48823-35060	m #9	7.54
27 Link, Stabilizer	R/L 48830-60030	m #9	65.79
*R&R Complete			

LEVEL CONTROL



044-07572

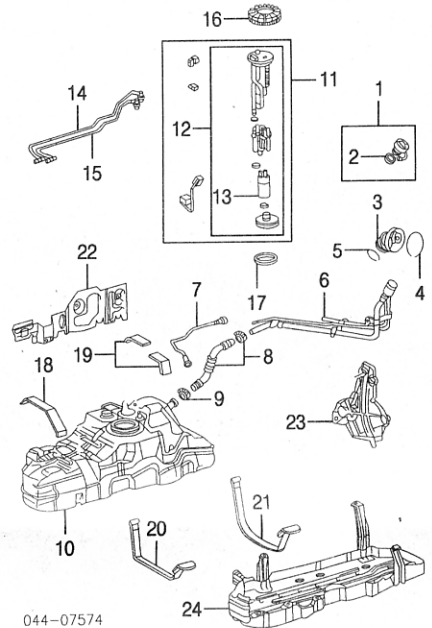
1 Reservoir Assy, Air Suspension	48930-60020	m	1.2	654.79
2 Tube, Air				
No. 1	48986-60020	m		46.13
No. 2	48982-60050	m		26.78
No. 3	48987-60010	m		28.98
*Included w/Air Suspension Reservoir Assy				
5 Sensor Assy, Level	R 89407-60021	m	.8	290.31
	L 89408-60011	m	.8	290.31

6 Link	R 48906-35010	m	.8	40.64
	L 48906-35020	m		40.64
*Included w/Level Sensor Assy				
7 Tube, Absorber				
Front	R 48555-35040	m		119.35
	L 48565-35040	m		119.35
8 Rear	R 48550-35020	m		241.90
	L 48560-35020	m		241.90
9 Bracket	R 48566-35010	m		14.83
	L 48566-35010	m		12.12
10 Filter, Air	48925-60050	m		26.66
11 Compressor, Air	48910-60020	m	8.0	503.20
12 Drier, Air	48950-60020	m		64.50
13 Bracket, Compressor	48911-60010	m		27.75
14 Cover, Compressor	48978-60010	m		30.15
15 Protector	R 47378-35050			11.23
	L 47378-35010			6.26

FUEL TANK

R&I Fuel Tank	1.8
---------------	-----

NOTE: R&I/R&R Does Not include drain and refill.



044-07574

1 Cap Assy, Fuel	77300-33052			13.76
2 Gasket, Cap	77316-33042			4.72
*Included w/Fuel Cap Assy				
3 Shield, Filler Pipe	77291-35130			24.86
Ring, Retaining				
4 Front	77371-35010			1.83
5 Rear	77371-35020			0.00
6 Pipe, Fuel Inlet	77201-35720			168.68
7 Tube, Breather	77012-35070			12.57
8 Hose, Filler	77213-35370			31.64
9 Clamp, Hose	90460-42005			3.45
10 Tank, Fuel	77001-3D510	m	2.0	525.49
11 Pump Assy, Fuel/Sender	77020-35060	m	#1.8	728.95
12 Sender Assy, Fuel	77020-35060	m	#2.0	728.95
13 Pump, Fuel	23221-50100	m	#2.0	240.12
*Included w/Fuel/Sender Pump Assy				
*(a) Included w/Fuel Sender Assy				
*Included in R&R Fuel Tank				
14 Hose, Fuel Feed	77209-35410			23.49
15 Hose, Fuel Return	77204-35030			23.49
16 Retainer, Pump	77144-35010			32.58
17 Gasket, Fuel Sender	77169-35010			2.49
18 Cushion, Front	77651-35070			14.20
19 Cushion, Rear	R 77652-35060			6.43
	L 77653-35050			9.32
Strap, Tank				
20 Front	77601-35090			49.04
21 Rear	77602-35030			56.16
22 Shield, Side	77643-35020			25.32
23 Shield, Pipe	77277-60080			29.87
24 Shield, Tank	77606-35060			438.67

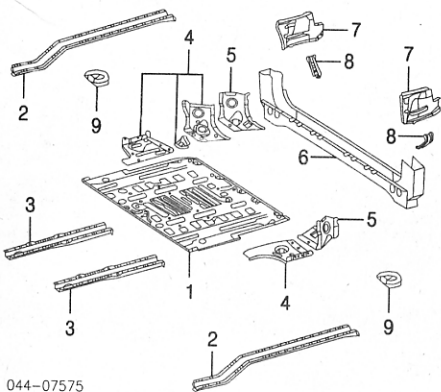
REAR BODY

Use Procedure Explanations 26 and 28 with the following text.

SHEET METAL

Illustration Located in Next Column

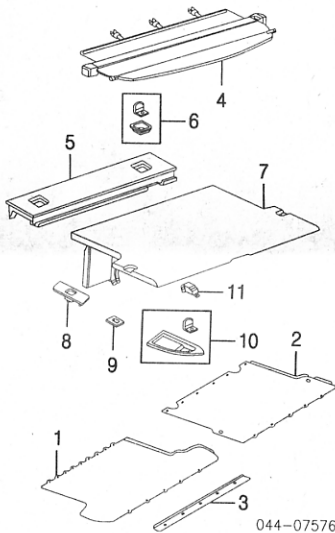
1 Panel, Floor	58311-35080	8.5	299.66
----------------	-------------	-----	--------



044-07575

2 Rail, Outer	R/L 57601-35020	4.5	78.05
<i>(Order by Application)</i>			
3 Rail, Inner	R/L 57613-35010	3.5	80.14
4 Panel, Side Floor	R 58313-35902	2.5	0.00
	L 58314-35040	2.5	41.61
5 Gusset, Rear	R 58384-35010	1.5	46.76
	L 58385-35010	1.5	46.76
6 Panel, Rear Body	58307-35010	3.5	326.81
7 Extension, Floor	R 58316-35040	2.0	45.81
	L 58317-35030	2.0	37.41
8 Bracket, Extension	R/L 58355-35020		7.09
9 Loop, Tie-Down Luggage	R/L 58460-35012		11.40

INTERIOR TRIM



044-07576

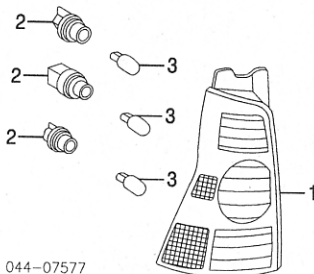
Mat, Floor			
1 Type 1	58570-35100-E0		403.23
Fawn	58570-35100-B0		403.23
2 Type B	58570-35110-E0		392.94
Fawn	58570-35110-B0		392.94
3 Plate, Mounting	58574-35010-E0	2	57.73
Fawn	58574-35010-B0	2	57.73
4 Cover, Tonneau	64901-35040-E0	2	570.94
Fawn	64901-35040-B0	2	570.94
5 Board, Deck	58401-35020-E0	.3	189.65
w/Tonneau Cover	58401-35020-B0	.3	189.65
6 Loop, Tie-Down	58401-35010-E0	.3	184.85
Fawn	58401-35010-B0	.3	184.85
7 Panel, Trim	64721-35010-E0		19.55
Fawn	64721-35010-B0		19.55
8 Board, Side	64721-35020-E0		16.26
w/Tonneau Cover	64721-35010-B0		19.55
Fawn	58410-35010-E0	.3	703.14
Stone	58410-35010-B0	.3	703.14
9 Panel, Side	R 64733-35020-E0		13.80
Fawn	L 64734-35020-E0		13.80
Stone	R 64733-35020-B0		13.80
	L 64734-35020-B0		13.80

w/o Tonneau Cover			
Fawn	R 64703-35010-E0		25.58
Stone	L 64704-35010-E0		25.58
	R 64703-35010-B0		25.58
	L 64704-35010-B0		25.58
9 Cover, Trim	R/L 64716-35010-E0		16.26
Fawn	R/L 64716-35010-B0		16.26
10 Box, Floor	R 64995-35010-E0		47.76
Fawn	L 64997-35010-E0		39.70
Stone	R 64995-35010-B0		47.76
	L 64997-35010-B0		39.70
11 Cover, Side Trim	R/L 64723-35010-E0		2.09
Fawn	R/L 64723-35010-B0		2.09

REAR LAMPS

COMBINATION LAMP

R&I Combination Lamp Assy R/L .3

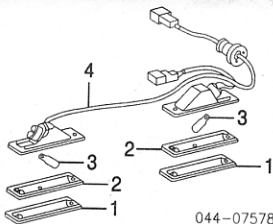


044-07577

1 Lamp, Combination	R 81551-35310	.3	146.99
	L 81561-35270	.3	146.99
2 Socket, Bulb			
Turn Signal	R/L 90075-60057		7.15
Stop/Tail	R/L 90075-60018		5.74
Back-Up	R/L 90075-60035		7.17
3 Bulb			
Turn Signal	R/L 90981-15011	#.2	5.14
Stop/Tail	R/L 90981-11048	#.2	4.00
Back-Up	R/L 90981-11059	#.2	3.63

#R&R One Side Complete, Included in R&R Combination Lamp

LICENSE LAMP

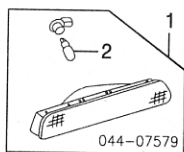


044-07578

1 Lens	R/L 81271-95J07	.1	6.21
2 Gasket, Lens	R/L 81272-95J07		3.80
3 Bulb	R/L 00234-00192	.2	1.00
4 Harness	81273-35130	#.3	27.44

#Includes R&R Lens & Bulb

HIGH MOUNT STOP LAMP



044-07579

1 Lamp Assy, Stop	81570-35100	.2	148.52
w/Spoiler	81570-35080	.2	127.43
2 Bulb(a)	90981-11059	.2	3.63

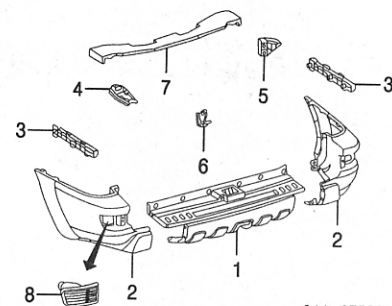
(a) As Required

REAR BUMPER

Use Procedure Explanations 27 and 28 with the following text.

Refinish Bumper Cover.....	1.5
Refinish Bumper Cover Extension..... R/L	.8
R&I Rear Bumper Assy.....	1.0
O/H Rear Bumper Assy.....	2.0

NOTE: All Parts in this section are included in overhaul unless noted otherwise.



044-07580

1 Cover, Bumper (P)	52159-35100	2.0	73.23
2 Extension, Bumper Cover (P)			
Limited Model	R 52152-35900	#.3	159.02
	L 52153-35900	#.3	159.02
Sport, SRS Model	R 52152-35120	#.3	173.85
	L 52153-35120	#.3	173.85
<i>(P) Paint to Match</i>			
<i>#w/Bumper Cover Removed</i>			
3 Retainer, Extension	R 52562-35010		37.41
	L 52563-35010		37.41
4 Bracket, Side Mounting	R/L 52185-60090		8.86
5 Retainer, Bumper	R 52587-35010		37.41
	L 52588-35010		37.41
6 Reinf, Bar	R 52173-35050		7.20
	L 52174-35050		7.20
7 Absorber, Energy	52615-35010	IOH	44.84
8 Reflector, Bumper	R 81580-60110	.2	73.96
	L 81590-60140	.2	99.90