

## ENHANCEMENT OF PRODUCT APPEAL

### ■ BUMPER

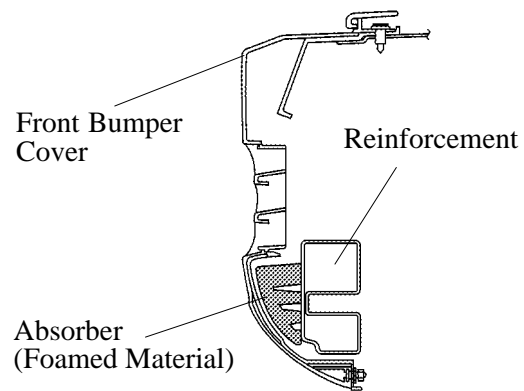
#### 1. Front Bumper

- A one-piece or two piece resin bumper made of TSOP (The Super Olefin Polymer) that excels in recyclability is used for both the front bumpers.
- Reinforcements and an absorber (foamed material) are provided in the front bumper to reduce the damage to the body during a light collision.



Front

232BO24



Bumper Cross Section

232BO26

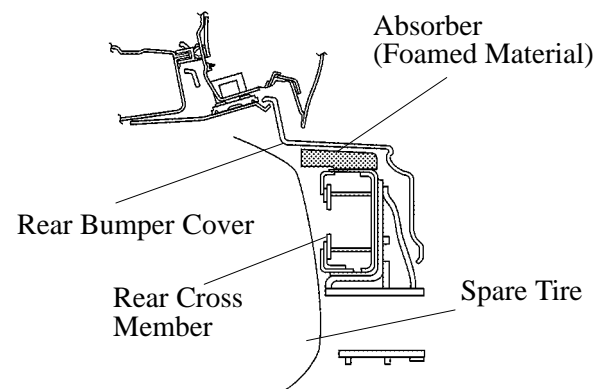
#### 2. Rear Bumper

- Three pieces piece resin bumper made of TSOP (The Super Olefin Polymer) that excels in recyclability is used for both the rear bumpers.
- The rear bumper cover has been through composite manufacturing to improve the looks. Also, a rear bumper absorber has been provided inside the bumper cover to ensure the level of rigidity that is necessary when using the bumper.



Rear

232BO25



Bumper Cross Section

232BO27