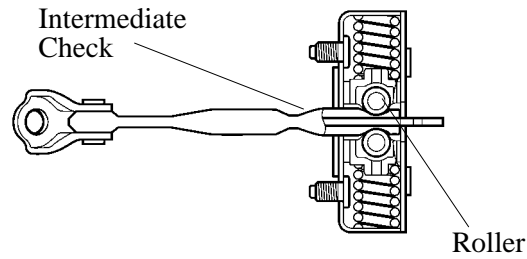


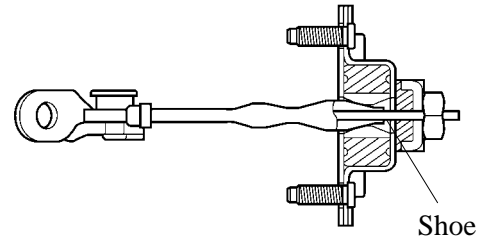
■ DOOR CHECK (FRONT AND REAR DOORS)

The roller type door check construction has been adopted to ensure the smoother operation of the door. In addition, an intermediate check mechanism to maintain the door open at the midway point has been provided for improved convenience.



'03 Model

232B035

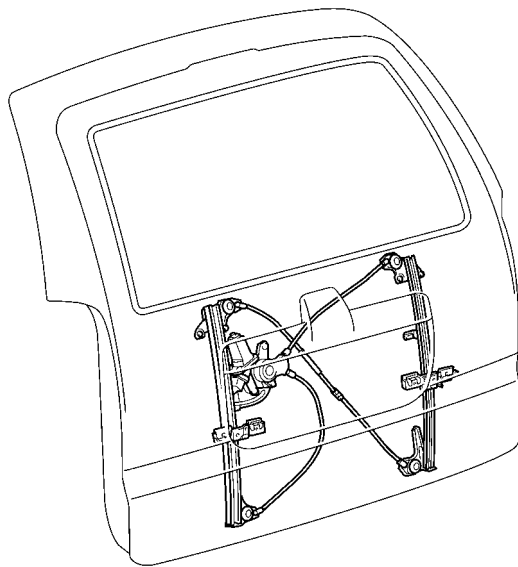


'02 Model

232B030

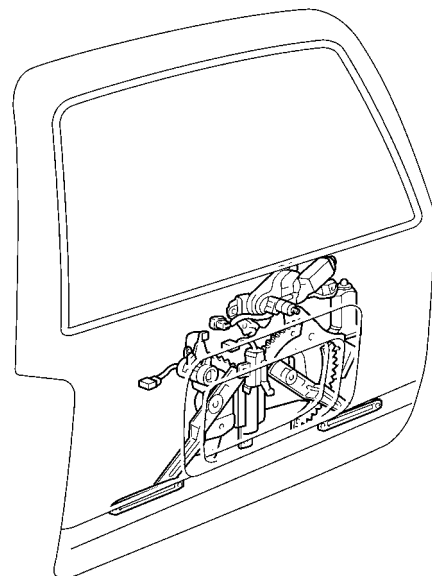
■ BACK DOOR WINDOW REGULATOR

The back door glass window regulator has been changed from the previous arm type to a cable type to improve the ease of opening and closing the window, and for weight reduction.



'03 Model

232B036



'02 Model

232B031