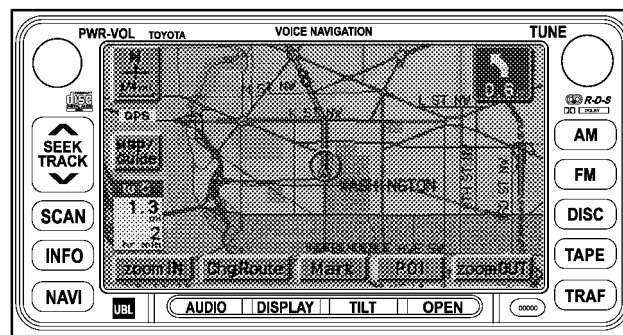


EQUIPMENT

Navigation with AV System

The Navigation with AV System analyzes the vehicle's position based on vehicle speed, map data, and the satellite-based GPS (Global Positioning System), and guides the driver to the input destination through voice instruction and display.

- The 6.5-inch wide LCD (Liquid Crystal Display) screen responds quickly and is easy to use.
- DVD (Digital Versatile Disc) has been selected as the medium for storing the map data enabling a large volume of data to be utilized.
- The language of voice navigation can be selected from two languages: English, and French.
- An exterior DVD changer (mounted into glove box) is offered as option so that DVD VIDEO and VIDEO and MUSIC CDs can be played while using the navigation system.
- The GPS (Global Positioning System) antenna is located behind the instrument panel.



232MO34

Specifications	Provided
<ul style="list-style-type: none"> • 2DIN size (197 × 110 × 158.8) AM/FM Tuner • DVD-ROM for map / Music CD 6.5-inch LCD • Television Camera • External 6-disc DVD Changer (Located Glove Box) 	OPT

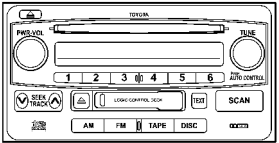
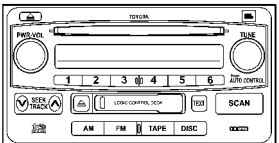
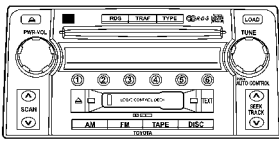
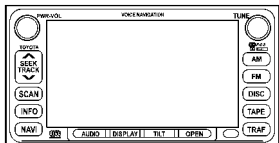
Rear View Monitor System

- A set consisting of the rear view monitor system and the navigation with AV system is available as an option.
- To assist the driver in parking the vehicle by monitoring the rear view, this system has a television camera mounted on the back door to display the rearview of the vehicle on the display panel of the “radio and player with display”
- This system consists of the television camera and “radio and player with display”.

Audio System

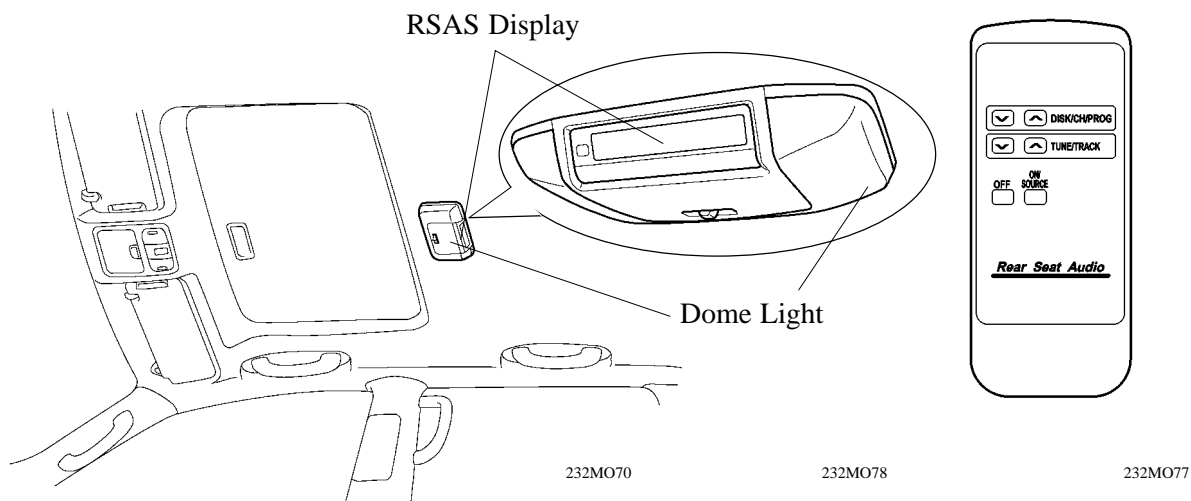
- A radio receiver with Cassette player and built-in CD player and quarter glass antenna is standard equipment.
- A premium audio with a 10-speaker system is optional equipment on all models.
- An RSAS (Rear Seat Audio System), which functions through the remote operation of the display that is located in the dome light housing, can be used by the rear seat occupants to control the audio system (standard equipment on the Limited grade model).

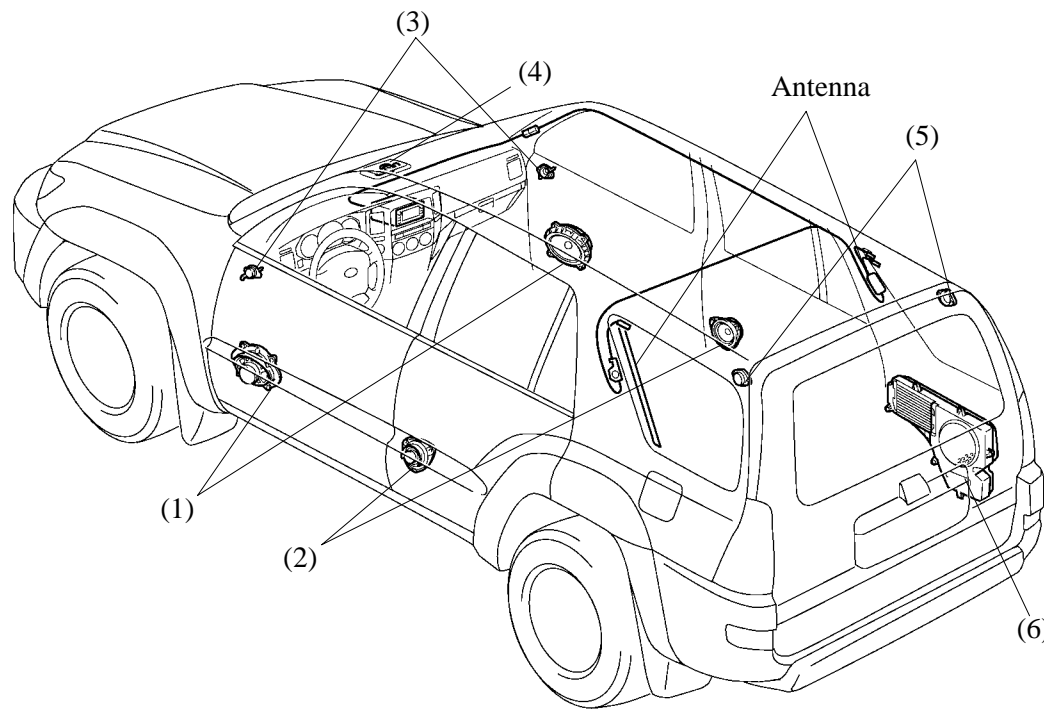
Head Unit Specifications

Design	Specifications	Provided
 <p>232MO35</p>	<ul style="list-style-type: none"> ● AM / FM Tuner ● Cassette Player ● CD Player ● 6-Speaker System 	STD
 <p>232MO36</p>	<ul style="list-style-type: none"> ● AM / FM Tuner ● Cassette Player ● CD Player ● JBL 10-Speaker System 	OPT
 <p>232MO37</p>	<ul style="list-style-type: none"> ● Variant type ● AM / FM Tuner ● Cassette Player ● In-dash 6-CD Changer ● JBL 10-Speaker System 	OPT
 <p>232MO38</p>	<ul style="list-style-type: none"> ● LCD type ● AM / FM Tuner ● Cassette Player ● CD Player ● JBL 10-Speaker System 	OPT

RSAS (Rear Seat Audio System) UNIT

RSAS Remote Controller



Speaker Location

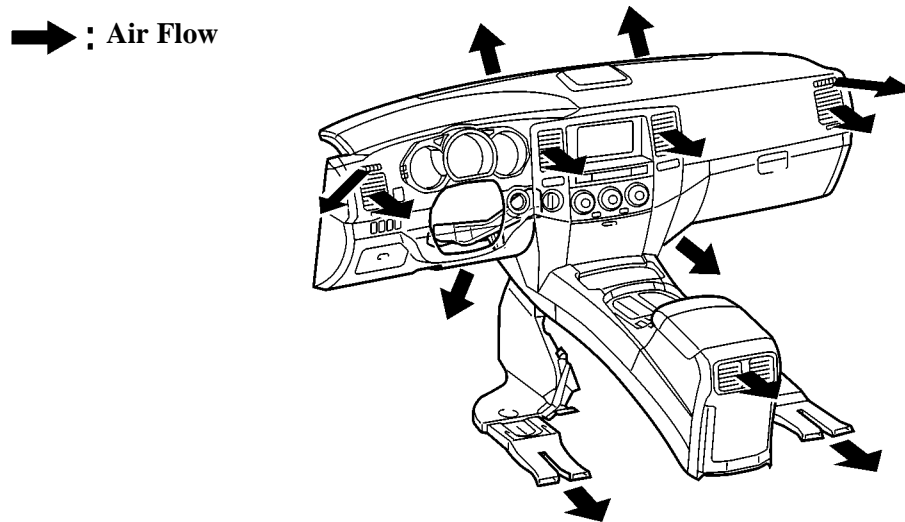
232MO39

Speaker Specifications

Type		Caliber	Impedance		Output	
			6 Speaker	JBL 10 Speaker	6 Speaker	JBL 10 Speaker
(1)	Front Door Speaker	6" 9" in.	4 Ω	4 Ω	20 W	20 W
(2)	Rear Door Speaker	16 cm (6.3 in.)	4 Ω	2.6 Ω	17.5 W	20 W
(3)	Front Door Squawker	6.5 cm (2.6 in.)	8 Ω	1.7 Ω	9 W	15 W
(4)	In-pane-Centor Squawker	6.5 cm (2.6 in.)	—	1.7 Ω	—	15 W
(5)	Deck Side Trim Squawker	6.5 cm (2.6 in.)	—	1.7 Ω	—	15 W
(6)	Decksider Woofer	20 cm (7.9 in.)	—	1.2 Ω	—	65 W

Air Conditioning System

- An auto air conditioning is standard equipment on all models.
- On the Limited grade, the temperatures for the driver and front passenger can be set independently to improve their comfort level.
- A register for the rear seat occupants is provided in the center console to improve the level of comfort of the rear seat occupants.



232MO40

A/C control Panel

For SR5 Grade

Design	Feature
<p style="text-align: right; font-size: small;">232MO41</p>	<ul style="list-style-type: none"> ● Joystick switch type air conditioning control panel. ● Blower speed, mode, outside air temperature, driver temperature setting, multi-information display ● Reduced operating noise and less effort required.

For Limited Grade (R/L Independent Temp Control)

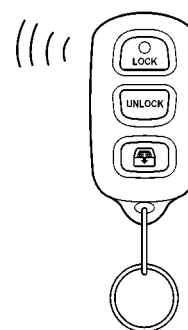
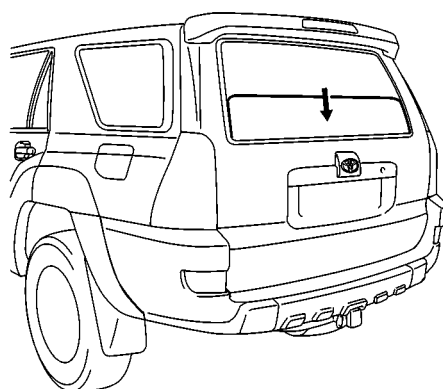
Design	Feature
<p style="text-align: right; font-size: small;">232MO42</p>	<ul style="list-style-type: none"> ● Joystick switch type air conditioning control panel. ● Blower speed, mode, outside air temperature, separate driver and front passenger temperature setting, multi-information display ● Reduced operating noise and less effort required.

Clean Air Filter

A clean air filter, which removes pollen and dust from the air, is standard equipment, as a set, with the air conditioning system.

Back Door and Back Door Glass

- A electrical back door opener switch is provided on all models. Merely by pressing the back door switch, the back door can be unlocked, thus improving the ease of operation.
- A back door opener and closer system is standard equipment on all models. When the back door is ajar, this system automatically pulls the door to the fully closed position in a secure manner.
- The 03' model uses the same rear power window that is used on the 02' model, which provides ventilation while the vehicle is in motion. The glass window can be raised or lowered through a switch at the driver's area or the back door key cylinder. A wireless remote control key holder is standard equipment on all models, so that the back door glass window can be opened at the touch of the switch.

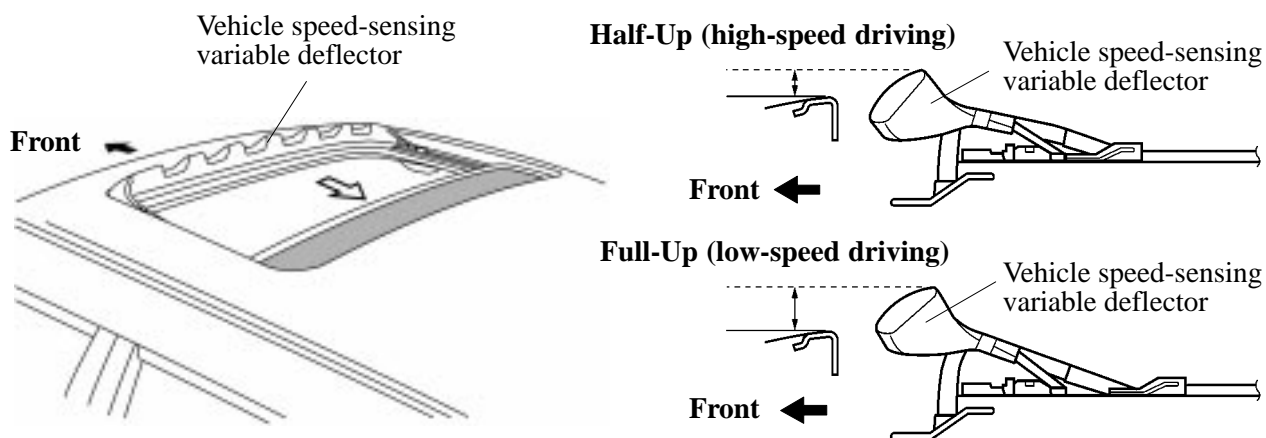


Key Holder Type Transmitter

232MO44

Moon Roof

- A tilt-and-slide type moon roof with auto open/close and jam protection functions is available as an option on all models.
- The moon roof uses a vehicle speed-sensing variable deflector to reduce the wind noise while the vehicle is being driven at high speeds.



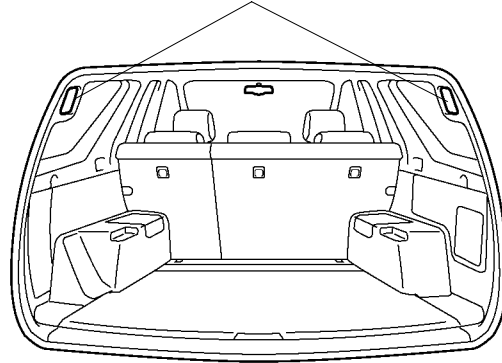
232MO73

232MO74

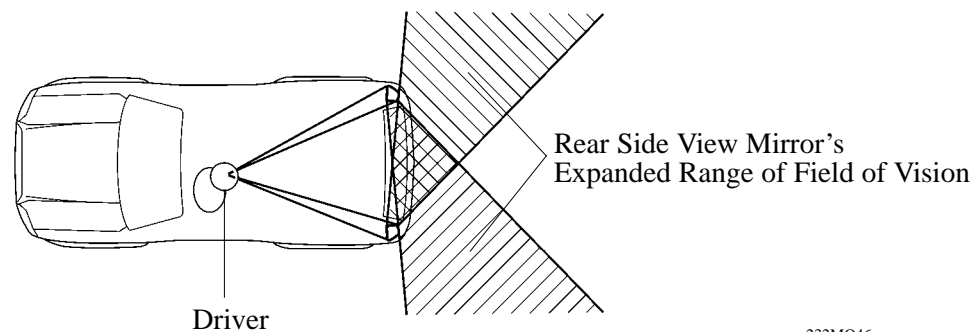
Inside Rear View Mirror

- An EC (Electro Chromic), glare-resistant inside rearview mirror is standard equipment on the Limited grade.
- A compass display is provided at the top right area of the EC glare-resistant mirror to indicate the vehicle's direction of travel.
- Mirrors to check the rear view are provided on the inside of each rear deck side pillar. These mirrors help improve the rear visibility when the driver backs the vehicle out of a parking slot.

Rear Side View Mirror's



232MO45



232MO46

Daytime Running Light System

- A Daytime Running Light System that illuminates the front turn signal lights is provided to improve the visibility of the vehicle during the daytime.
- The Daytime Running Light System is standard equipment on the models for Canada.

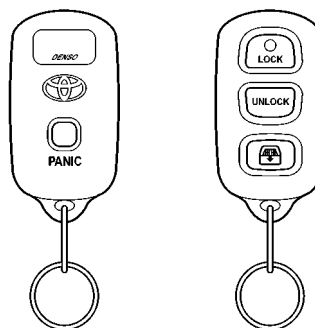
Engine Immobiliser System

This system is a theft prevention device which will not allow the engine to start if any other than the correct ignition key are used. This system is constructed so that the engine will only start if the ID code of the transponder chip contained in the key and the ID code registered in the ECM match.

Wireless Door Lock System

A key holder type transmitter with LOCK switch, UNLOCK switch, BACK DOOR GLASS OPEN switch, and PANIC switch, has been adopted as standard equipment.

- With the added "answer back" function, the hazard lights once when the doors are locked (and twice when unlocked) with the transmitter.
- With the added illuminated entry function, the interior light will come on when the door is unlocked with the transmitter, and go out when it is locked.



Key Holder Type Transmitter

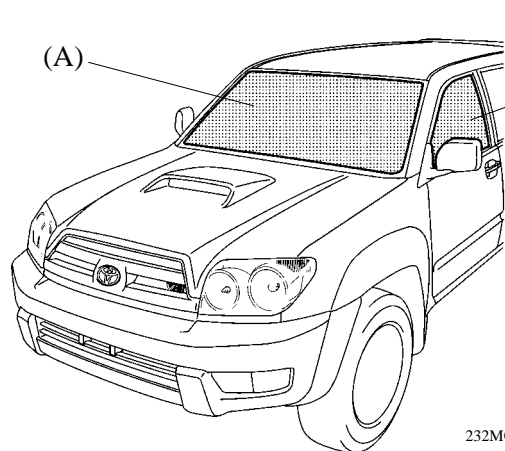
232M047

UV Reduce Glass

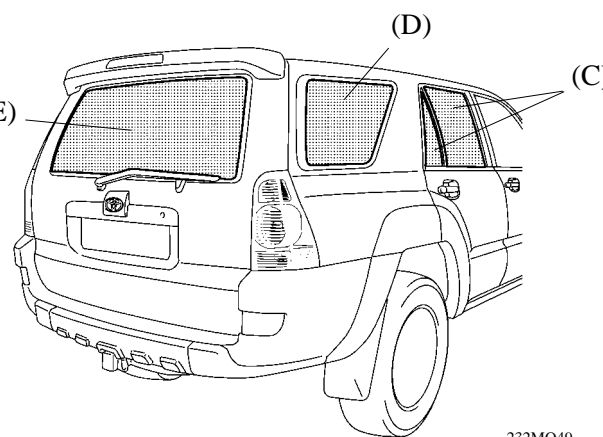
UV reduce glass contain properties which reduce the ultraviolet and infrared rays from the sunlight has been adopted to prevent sunburn caused by ultraviolet rays and to reduce the scorching hot sensation caused by infrared rays.

Glass Combination

Grade	SR5	Limited
Glass Position		
(A): Wind Shield	Green	
(B): Front Door	Green, UV Reduction, Water Repellent Coat	
(C): Rear Door and Rear Door Quarter Window	Green, UV Reduction	Privacy, Durk Gray
(D): Quarter Window	Green	Privacy, Durk Gray
(E): Back Door	Green, Water Repellent Coat	Privacy, Water Repellent Coat



232M048



232M049

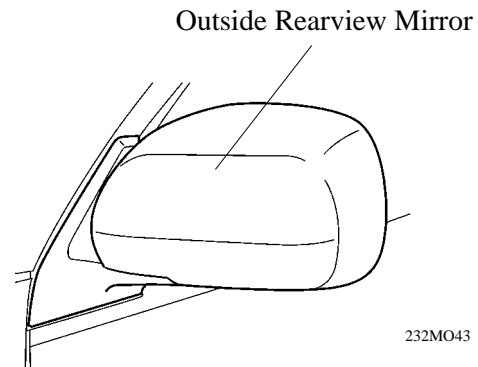
Out Side Rearview Mirror

- Retractable outside rearview mirrors that have been newly designed to reduce wind noise despite their large mirror surface are standard equipment on all models.
- Hydrophilic film coated mirrors, which offer a hydrophilic effect that causes water drops to expand into a thin film, and a self-cleaning effect that ensures rearview visibility, are standard equipment on the Limited grade.

Mirror Combination ●: Standard OP: Option

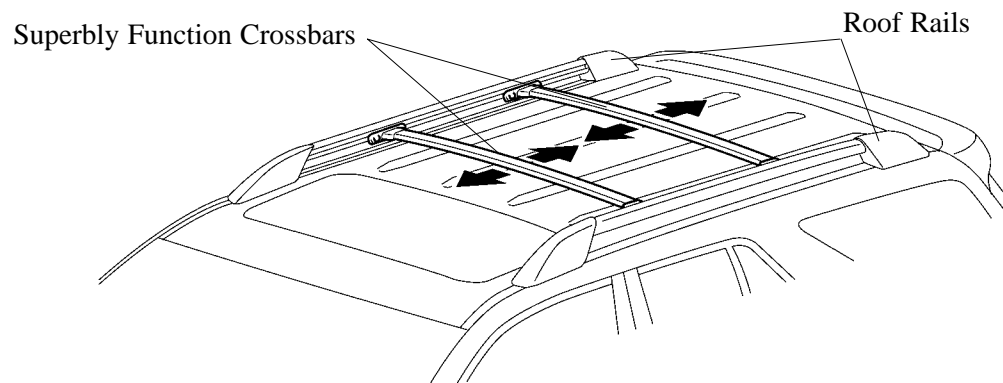
Type \ Grade	SR5	Limited
Electric Remote Control	●	●
Black Color	●	—
Body Color	OP*1	●
Hydrophilic Film Coated	OP*1	●
Mirror Heater	OP*1	●

*1: With Sport Edition Package



Roof Rack and Roof Rail

- The roof rack and roof rail are made available as optional equipment.
- Variable crossbars that can be slid to positions in accordance with the size of the cargo are provided.



Maximum load for Crossbar	54 (120) kg (lb)
---------------------------	------------------