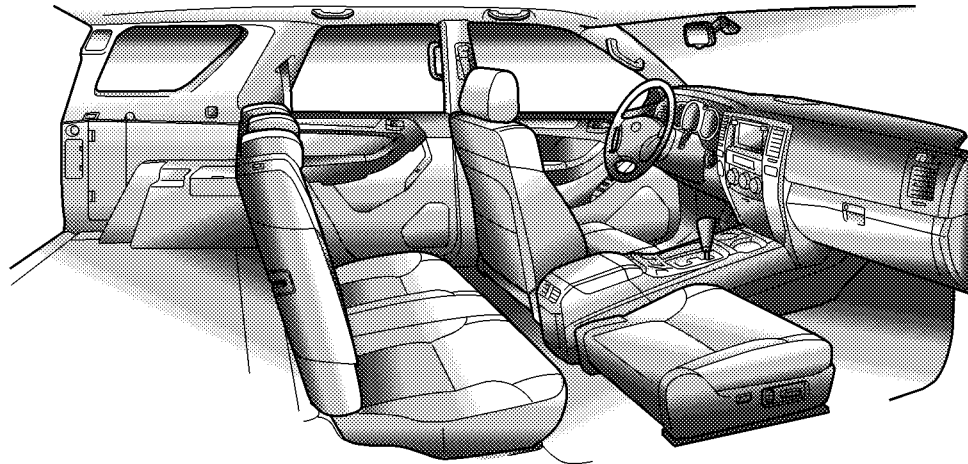


INTERIOR

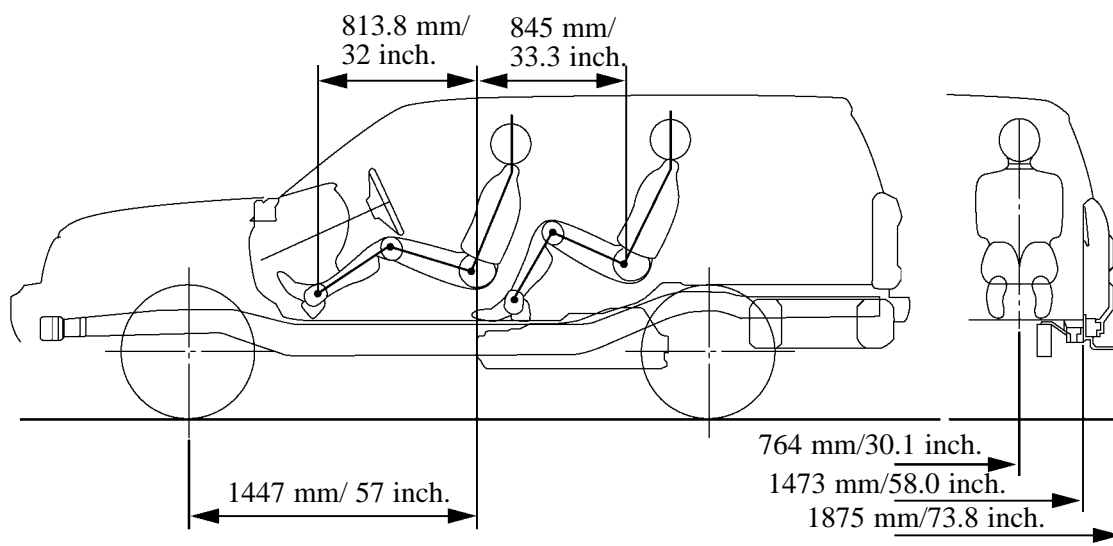
Comfort & Sophisticated Sports

- The interior dimensions have been increased from the '02 model to realize a bright space that gently wraps the comprehensive functions and gives the SUV its powerful look.
- The metallic look of the instrument cluster, the luster of the chrome pieces, and the dark interior color help to achieve a high contrast interior.
- A new type of interior space has been accomplished by blending the three-dimensional elements with a smooth design.



232MO13

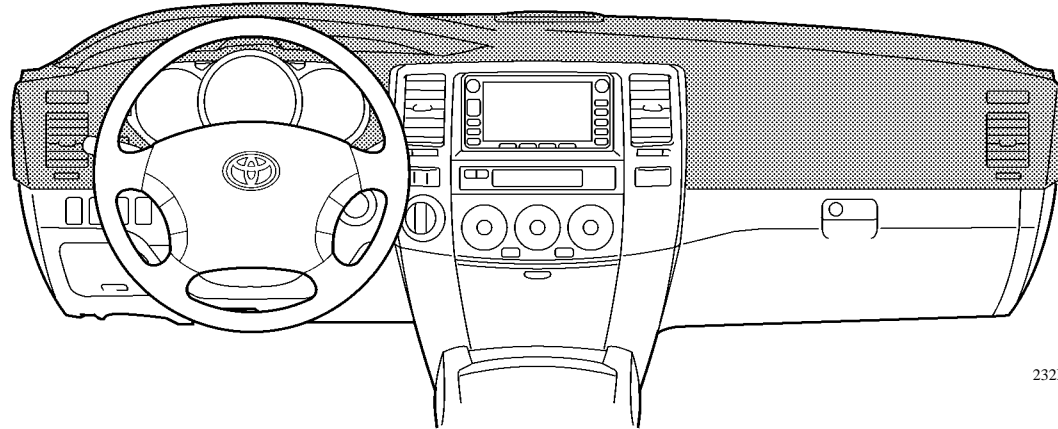
Dimension



232MO14

Instrument Panel

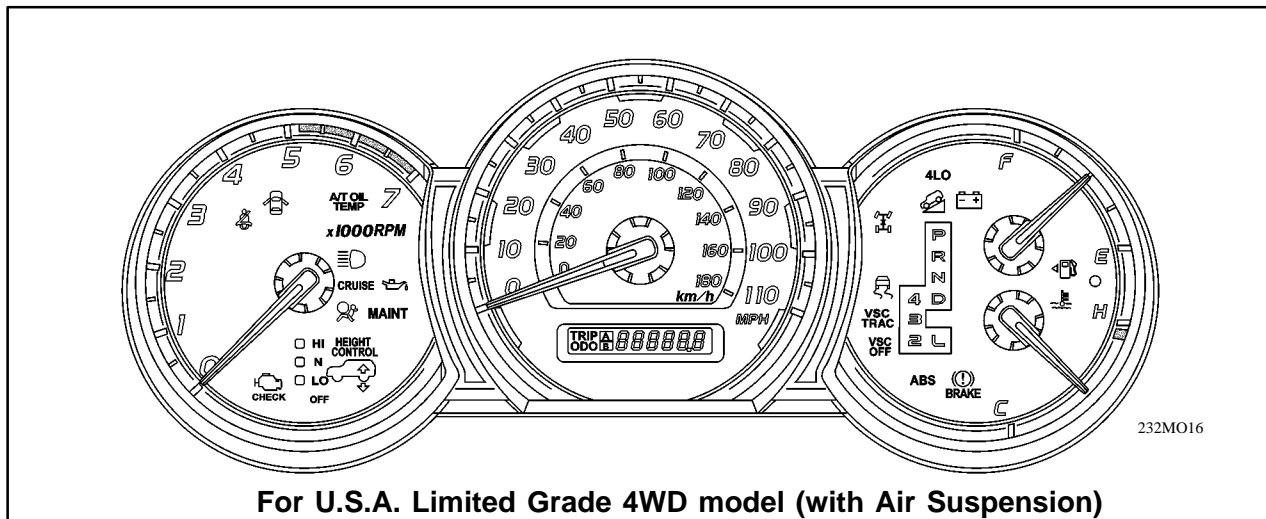
- Metallic paint is applied to the meter cluster, center cluster, and the console. The two-tone instrument panel, with a gray upper and light gray lower portion, achieves both a sporty and elegant look.
- A concealed airbag door is used for the front passenger, and a tear line is provided to realize an attractive appearance without exposing the parting line of the airbag lid.



232MO15

Combination Meter

- A triple-dial combination meter with metallic paint on the rings is used to achieve a sporty and luxurious design.
- Three-dimensional dial plates are used to enhance visibility.




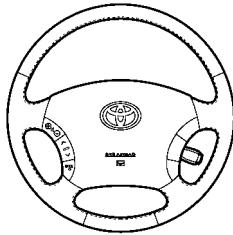
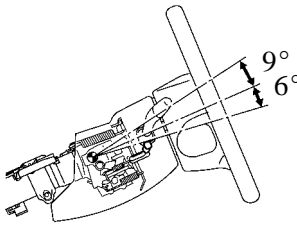
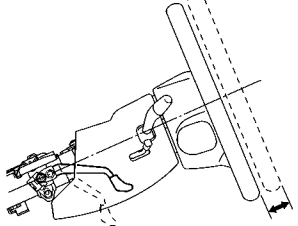
232MO16

For U.S.A. Limited Grade 4WD model (with Air Suspension)

Steering Wheel and Steering Column

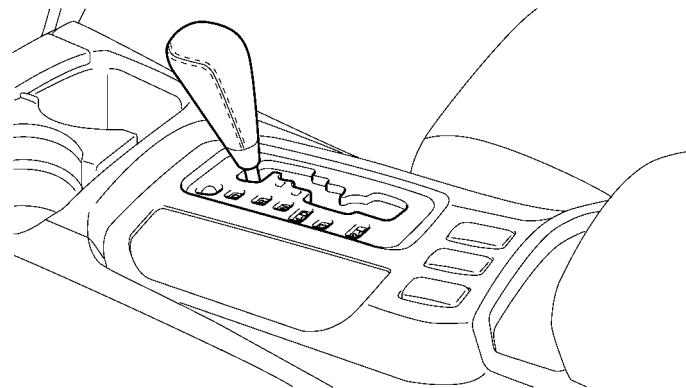
- A 4-spoke steering wheel with an SRS airbag is standard equipment on all models. The SR5 grade has a urethane steering wheel and the Limited grade has a leather-wrapped steering wheel.
- The steering column has a manual tilt type for the SR5 grade and a manual tilt-and-telescopic type for the Limited grade as standard equipment.

Steering Wheel and Steering Column

<p style="text-align: center;">Urethane</p>  <p style="text-align: right; font-size: small;">232MO17</p>	<p style="text-align: center;">Leather-wrapped</p>  <p style="text-align: right; font-size: small;">232MO71</p>	<p style="text-align: center;">Steering wheel</p>	Grade	
			SR5	Limited
			STD	—
		Leather-wrapped	OPT	STD
<p style="text-align: center;">Tilt</p>  <p style="text-align: right; font-size: small;">232MO18</p>	<p style="text-align: center;">Tilt and telescopic</p>  <p style="text-align: right; font-size: small;">45 mm 232MO72</p>	<p style="text-align: center;">Steering column</p>	Grade	
			SR5	Limited
			STD	—
		Tilt and telescopic	OPT	STD

Automatic Transmission Shift Lever

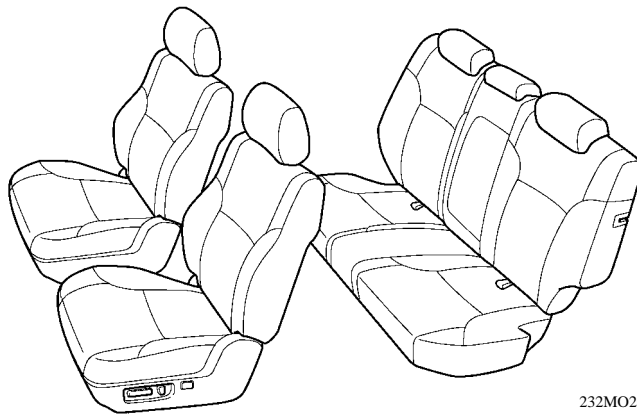
- The shift lever has been changed from the straight type of the '02 model to the gate type. The functions of the shift button and the overdrive switch can be operated by merely moving the shift lever sideways, and the shift feel has been improved.
- The gate portion has metallic paint to give a sporty appearance.



232MO19

Seat

- The front seats are the separate type and the rear seats are the double-holding type.
- The SR5 grade uses fabric seat covers that give an elegant and luxurious look through its uneven surface texture, and the Limited grade uses leather seat covers.
- The soft, inner area of the seat back has been increased by stiffening the side edges to achieve a comfortable fit.

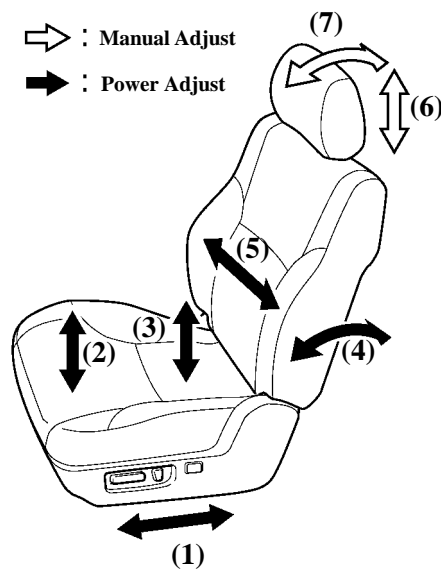


Seat Cover

Item	Grade	
	SR5	Limited
Fabric	STD	—
Leather	OPT	STD

Front Seat

- The height of the seat back has been increased from the '02 model (previous model comparison: +40mm) to realize improved ergonomics.
- The SR5 grade has a manual adjustable function and the Limited grade has a power adjustable function as standard equipment. Thus, the seat can be adjusted to an optimal driving posture regardless of the physical characteristics of the driver.
- A seat heater is standard equipment on the seats for the driver and front passenger (Limited grade model).



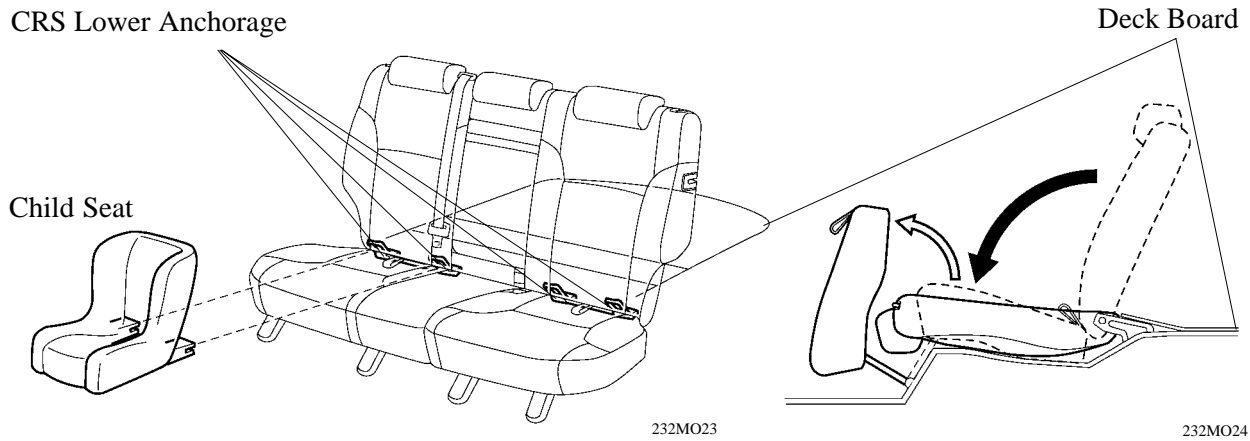
For Limited Grade

232MO22

Function	Grade	
	SR5	Limited
(1) Slide	Manual (D&P seats)	Power (D&P seats)
(2) Front Vertical	Manual (D seat)	Power (D seat)
(3) Rear Vertical	Manual (D seat)	Power (D seat)
(4) Reclining	Manual (D&P seats)	Power (D&P seats)
(5) Lumber Support	Power (D seat)	←
(6) Headrest Height	Manual (D&P seats)	←
(7) Headrest Slide	Manual (D&P seats)	←

Rear Seat

- The 50/50 split seat of the previous model has been changed to a 60/40 split seat. The height and width of the seat back have been increased (previous model comparison: height +81mm, width +52mm) to improve the ride and seating comfort.
- Storable headrests are provided on the three seats, which can be folded with the headrests attached. This feature facilitates the operation when using the rear seat area for storing luggage.
- A push-type cup holder and a slide-type snack tray are provided on the center armrest of the rear seat.
- CRS (Child Restraint System) lower anchors are provided behind the rear seat cushions as standard equipment on all models.
- Tether anchor brackets for securing a CRS are provided on the deck board as standard equipment on all models.



► **Seat Arrangement** ◀

<p>Normal</p>	<p>232MO25</p>	<p>Folding rear outside seat only</p>	<p>232MO27</p>
<p>Rear seat Armrest with Cup Holder</p>	<p>232MO26</p>	<p>Folding rear seats</p>	<p>232MO28</p>

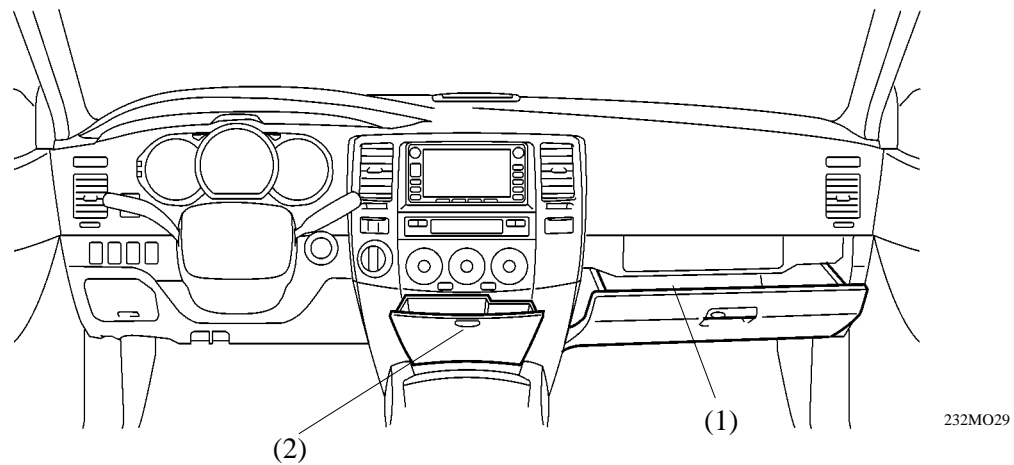
Storage Space

Full of convenient storage spaces.

Convenient storage spaces have been effectively placed, with, of course, the glove box and front console, as well as the rear floor box, multi-functional box and large front and rear door pockets.

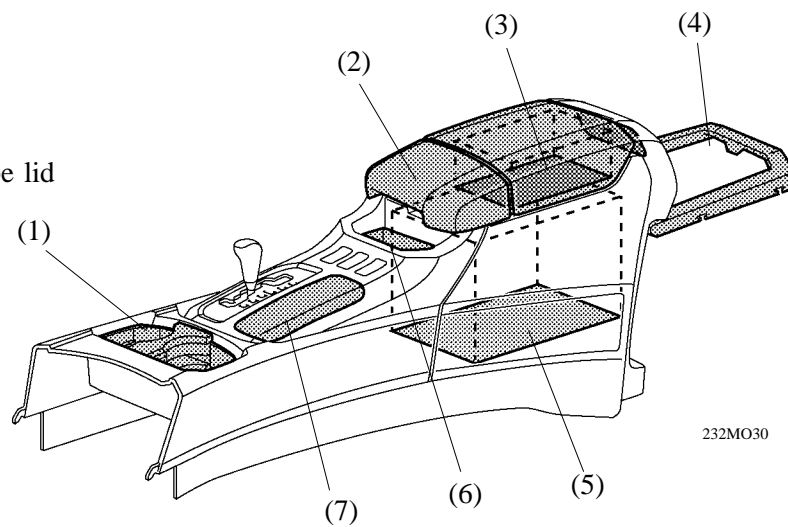
Front

- (1) Glove Box
- (2) Push-Open Type Small Storage



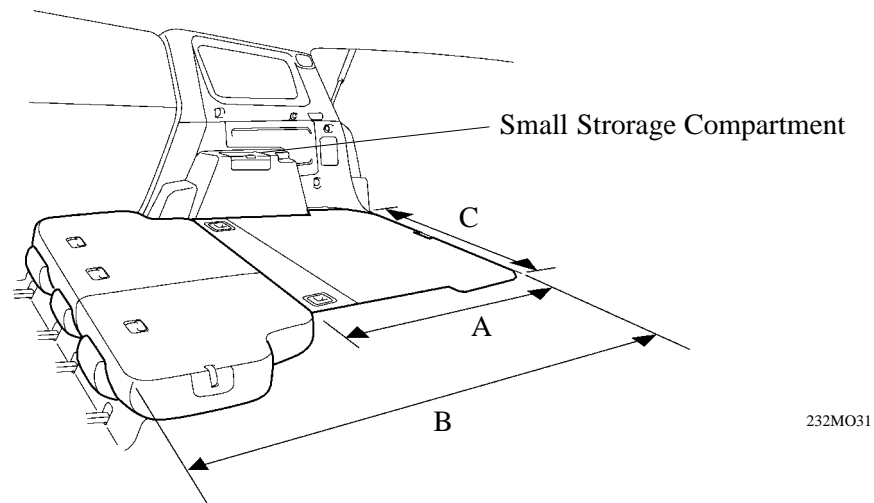
Console Box

- (1) Front Seat Cup Holder
- (2) Front Seat Rotating Table
- (3) Tissue Box Holder
- (4) Trash Holder
- (5) Console Box
- (6) Small Storage
- (7) Small Storage with push open type lid



Luggage

- A generous amount of cargo space has been realized by increasing the size of the vehicle from the '02 model.
- The standard cargo space can be increased to a wider and flatter cargo space by tilting all the rear seat backs.
- A storage box is provided above each wheel house to increase the storage space.
- A double-deck feature that provides two levels of floor deck space to accommodate various cargo configurations is available as an option on all models.



Deck Dimensions [mm] (): Comparison with previous model.

A	Length	Rear seat unfolded	1105 (1146)
B	Length	Rear seat folded	1742 (1707)
C	Width		1051 (972)

Back Door Opening Width [mm]

D	Width (Upper)	1221 (1239)
E	Width (Lower)	1228 (1060)
F	Height	887 (857)
G	Double-deck Height (Lower)	230 (N/A)

