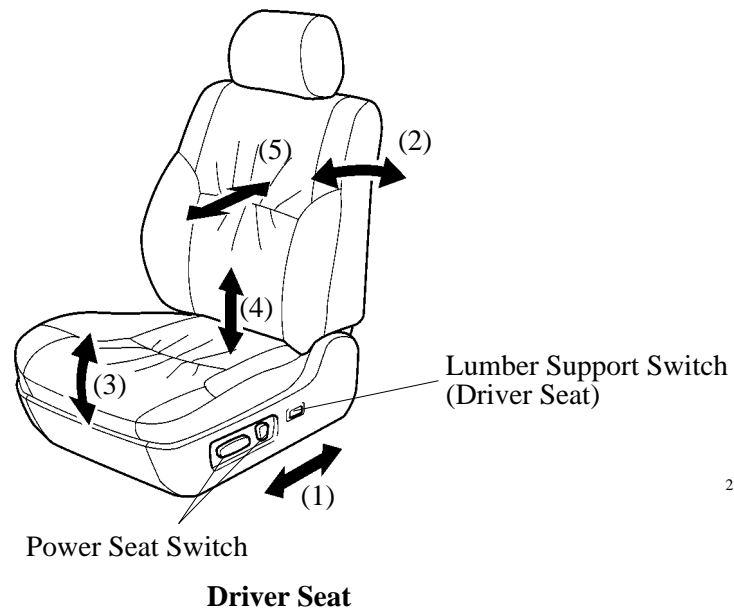


■ POWER SEAT

1. General

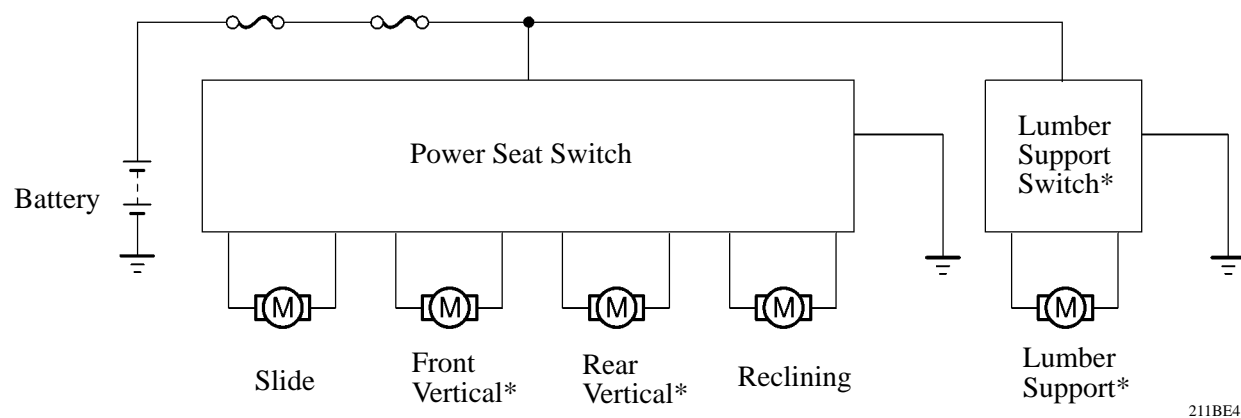
- The power seat has been adopted for driver and front passenger seats on Limited grade model as standard equipment.
- The following features are all for power functions.

| Power Adjustment Function | | | Stroke | |
|---------------------------|------------------------------|----------|-------------|-----------|
| | | | Driver | Passenger |
| (1) | Fore-and-After Slide | mm (in.) | 240 (9.45) | ← |
| (2) | Reclining | degrees | 78 | ← |
| (3) | Front Vertical | degrees | 10 | — |
| (4) | Rear Vertical | mm (in.) | 58 (2.28) | — |
| (5) | Lumber Support (Driver Seat) | mm (in.) | 38.4 (1.51) | — |



232BE50

► System Diagram ◀



211BE41

*: Only for Driver Seat