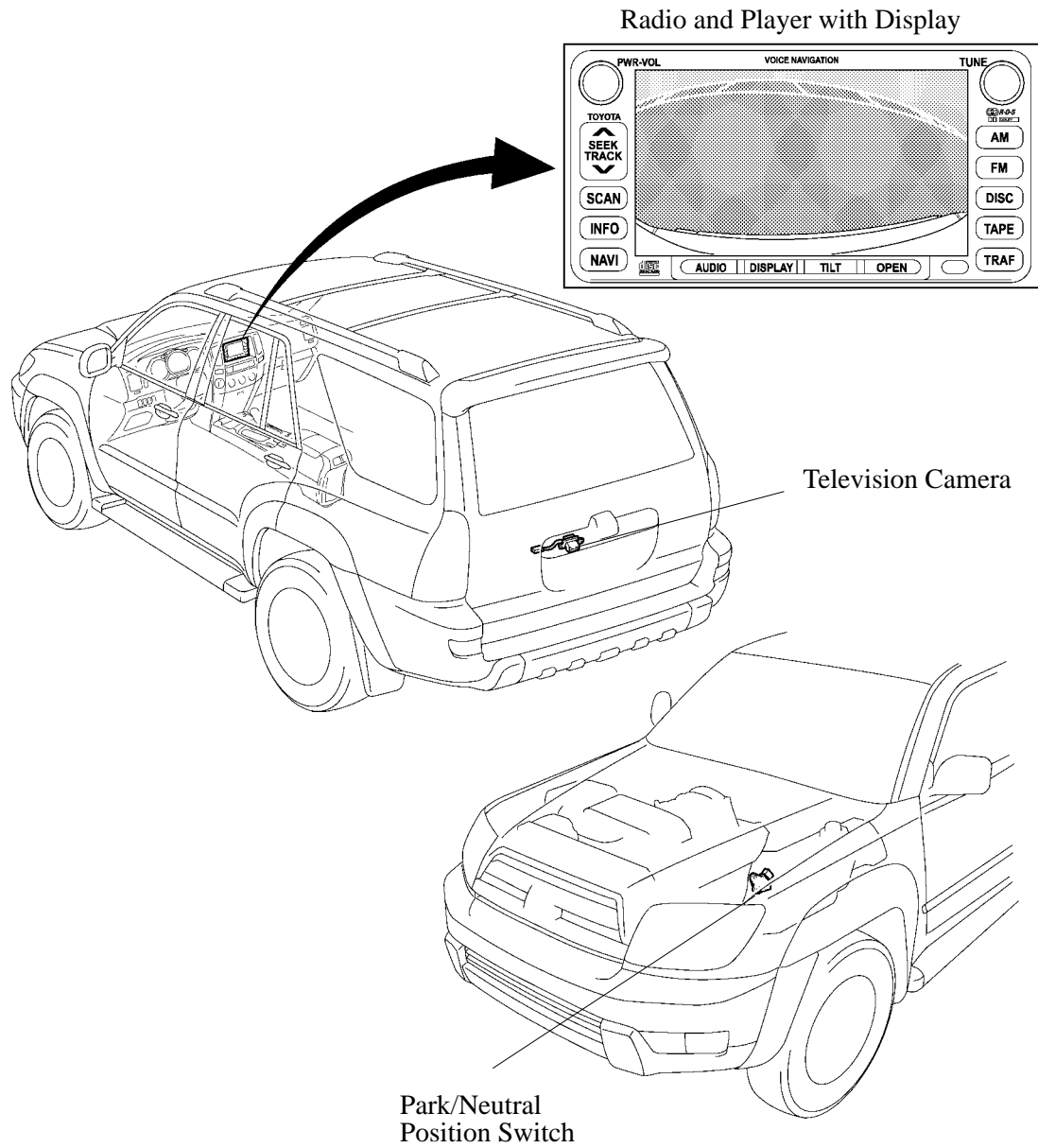




3. Layout of Component



232BE23

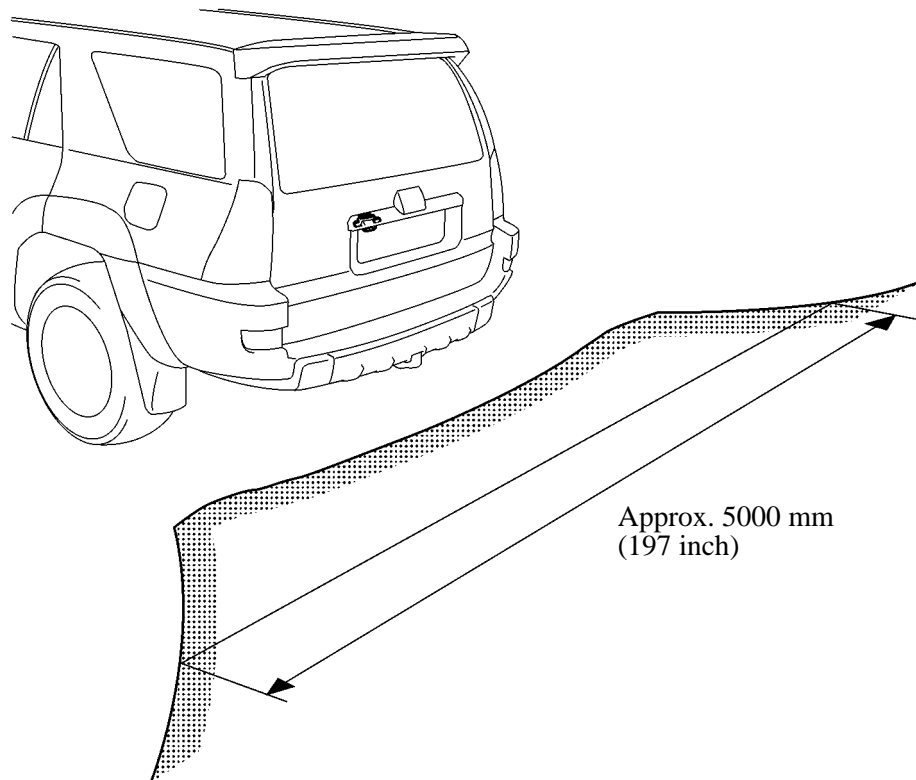
4. Function of Component

Item	Function
Television Camera	<ul style="list-style-type: none"> <li>• Mounted on the back door to transmit the rearview of the vehicle to the “radio and player with display”.</li> <li>• A color video camera that uses a CCD (Charge Coupled Device) and a wide-angle lens.</li> </ul>
Radio and Player with Display	Receives video signals from the television camera, and displays on the display panel.
Park/Neutral Position Switch	Transmits a reverse shift position signal to the “radio and player with display”.

## 5. Operation

### General

- With the ignition switch ON, if the driver shifts the shift lever to reverse, the display panel of the “radio and player with display” switches to operate this system. In this state, if the driver moves the shift lever to a position other than reverse, or switches the modes on the “radio and player with display”, the rearview display stops and switches to the display of another mode.
- The rearview coverage of the television camera that is mounted on the back door is illustrated below.



232BE24

**Rearview Coverage of the Television Camera**

### CAUTION

- Do not rely entirely on the rear view monitor system. Use caution, just as you would when backing up any vehicle.
- Never back up while looking only at the screen. The image on the screen may differ from actual conditions. If you back up while looking only at the screen, you may hit a vehicle or have an unexpected accident. When backing up, be sure to check visually behind and all around the vehicle, both directly and with mirrors, before proceeding.

