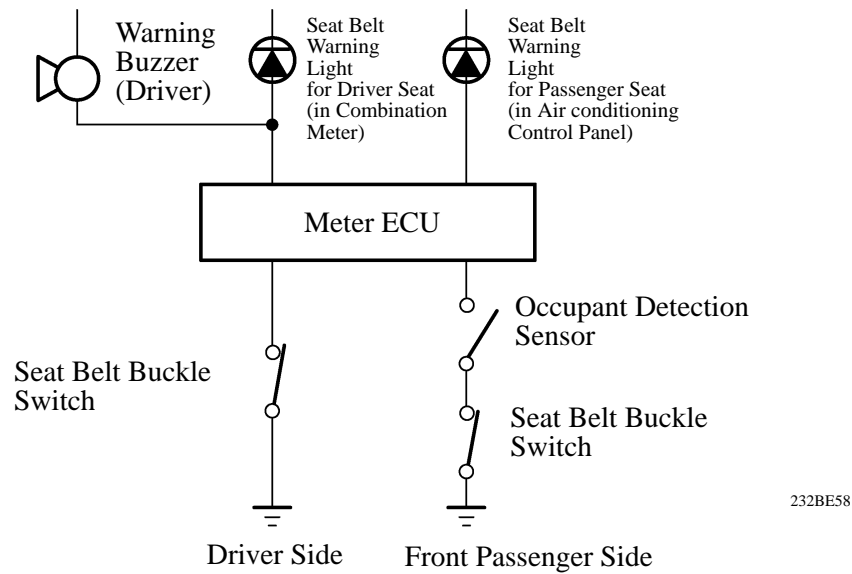


■ SEAT BELT WARNING SYSTEM

1. General

A seat belt warning system is used. If the seat belt is not buckled, the warning light flashes and the buzzer sounds. When the ignition switch is turned ON, this system determines whether or not the seat belt is buckled by the ON or OFF condition of the switch that is provided in the seat belt buckle. The occupant detection sensor provided in the seat cushion of the front passenger seat determines whether or not an occupant is seated in the front passenger seat.

► System Diagram ◀



2. Occupant Detection Sensor

The occupant detection sensor, which is enclosed in the seat cushion of the front passenger seat, is used to detect whether or not the front passenger seat is occupied. This sensor, which is shaped as illustrated below, consists of a construction in which two sheets of electrodes sandwich a spacer. When the occupant is seated, the electrode sheets come in contact with each other through the hole that is provided in the spacer portion, thus enabling the current to flow. Thus, the sensor detects whether or not an occupant is seated in the front passenger seat.

