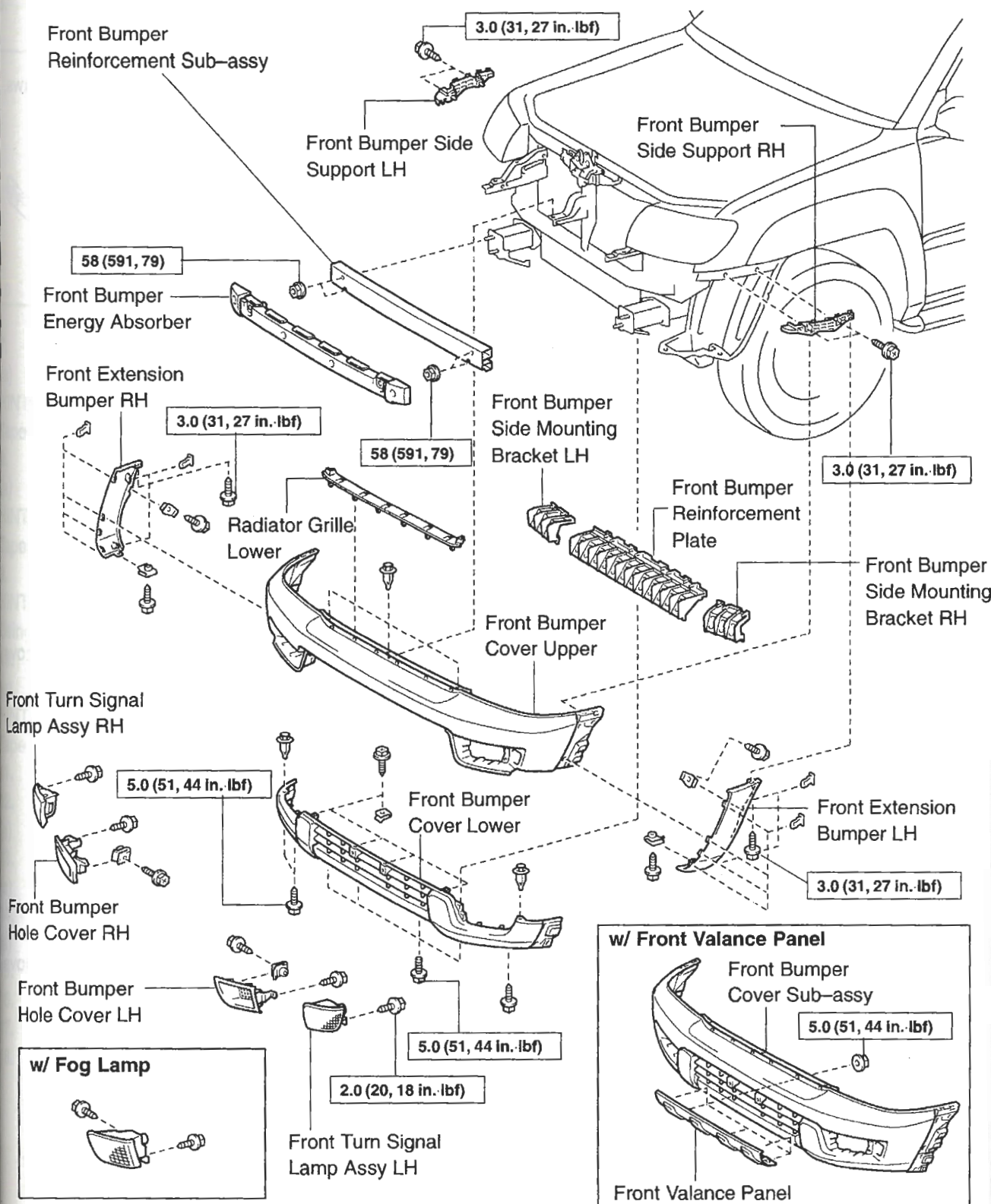


FRONT BUMPER COMPONENTS

76CP5-01



76

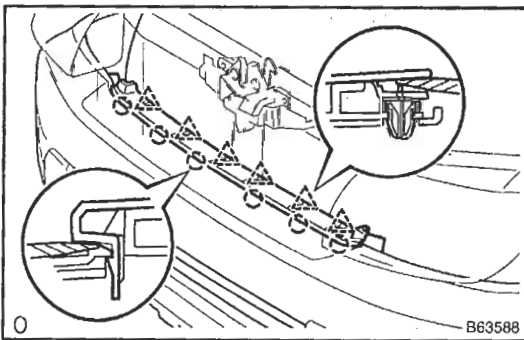
N·m (kgf·cm, ft·lbf) : Specified torque

863586

REPLACEMENT

HINT:

Installation is in the reverse order of the removal. However, when there is a special point concerning the illustration, it is indicated.

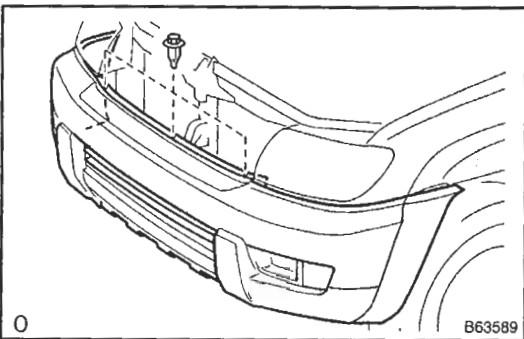


1. REMOVE RADIATOR GRILLE LOWER

- (a) Using a screwdriver, disengage the 6 clips and 6 claws, and remove the radiator grille.

HINT:

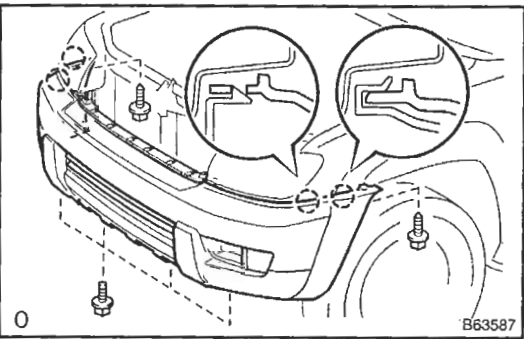
Tape the screwdriver tip before use.



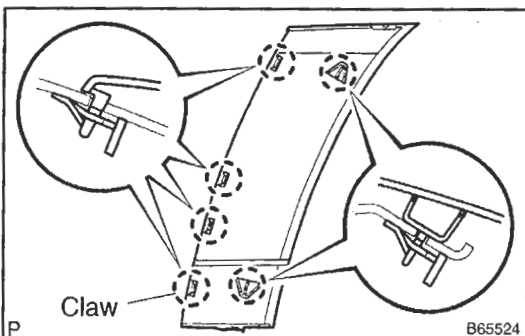
2. REMOVE FRONT BUMPER COVER SUB-ASSY

- (a) Disconnect the turn signal lamp connectors.
 (b) w/ Fog lamp:
 Disconnect the fog lamp connectors.
 (c) Remove the 3 clips.

76



- (d) Remove the 6 bolts and front bumper cover.
 (e) Using a screwdriver, disengage the 4 claws and remove the bumper cover.



3. REMOVE FRONT BUMPER EXTENSION LH

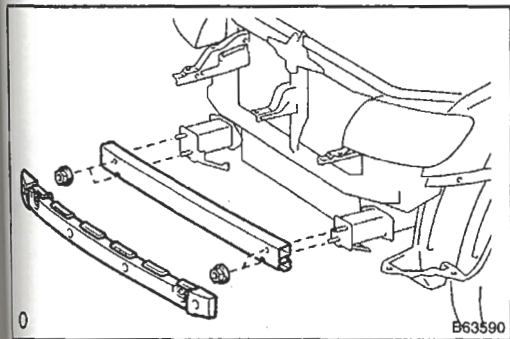
- (a) Remove the 3 bolts.
 (b) Using a screwdriver, disengage the 6 claws and remove the extension.

HINT:

Tape the screwdriver tip before use.

4. REMOVE FRONT BUMPER EXTENSION RH**HINT:**

Use the same procedures above for the LH side.

5. REMOVE FRONT BUMPER ENERGY ABSORBER**6. REMOVE FRONT BUMPER REINFORCEMENT SUB-ASSY**

- (a) Remove the 4 nuts and bumper reinforcement.

7. REMOVE FRONT BUMPER REINFORCEMENT PLATE

- (a) Using a screwdriver, remove the reinforcement plate.

HINT:

Tape the screwdriver tip before use.

8. REMOVE FRONT BUMPER SIDE MOUNTING BRACKET LH

- (a) Using a screwdriver, remove the mounting bracket.

HINT:

Tape the screwdriver tip before use.

9. REMOVE FRONT BUMPER SIDE MOUNTING BRACKET RH**HINT:**

Using the same procedures described above for the LH side.

10. REMOVE FRONT BUMPER SIDE SUPPORT LH

- (a) Using a screwdriver, remove the 2 bolts and side support.

HINT:

Tape the screwdriver tip before use.

11. REMOVE FRONT BUMPER SIDE SUPPORT RH**12. REMOVE FRONT VALANCE PANEL**

- (a) Remove the 5 nuts and valance panel.

13. REMOVE FRONT BUMPER HOLE COVER LH (W/O FOG LAMP)

- (a) Remove the 2 screws and hole cover LH.

14. REMOVE FRONT BUMPER HOLE COVER RH (W/O FOG LAMP)

- (a) Remove the 2 screws and hole cover RH.

15. REMOVE FOG LAMP ASSY LH (W/ FOG LAMP)**16. REMOVE FOG LAMP ASSY RH (W/ FOG LAMP)****17. REMOVE FRONT TURN SIGNAL LAMP LH****18. REMOVE FRONT TURN SIGNAL LAMP RH**