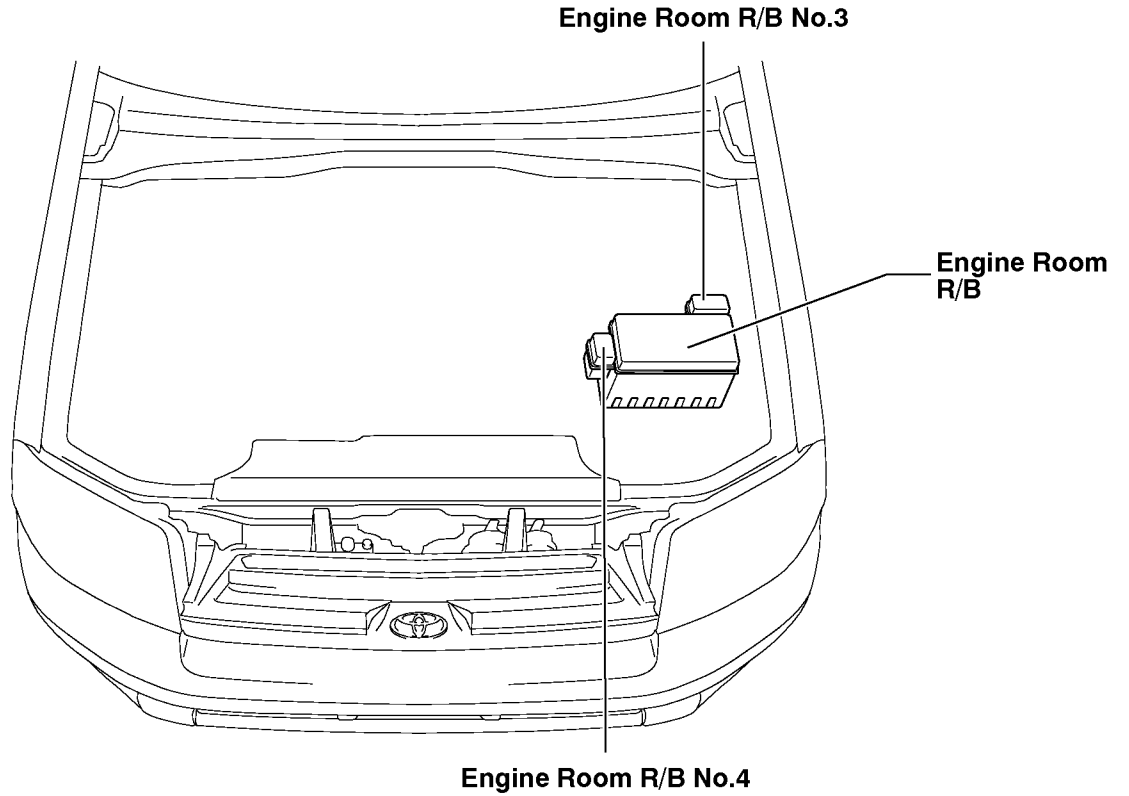
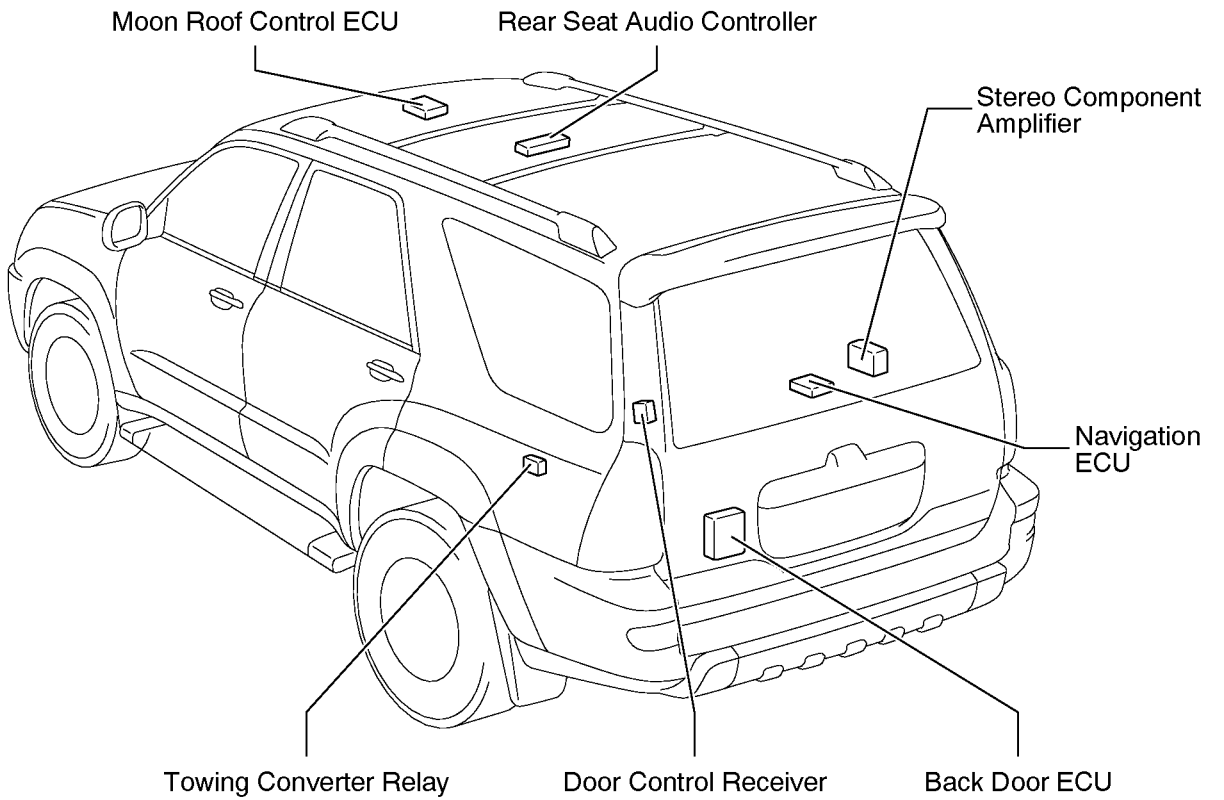


F RELAY LOCATIONS

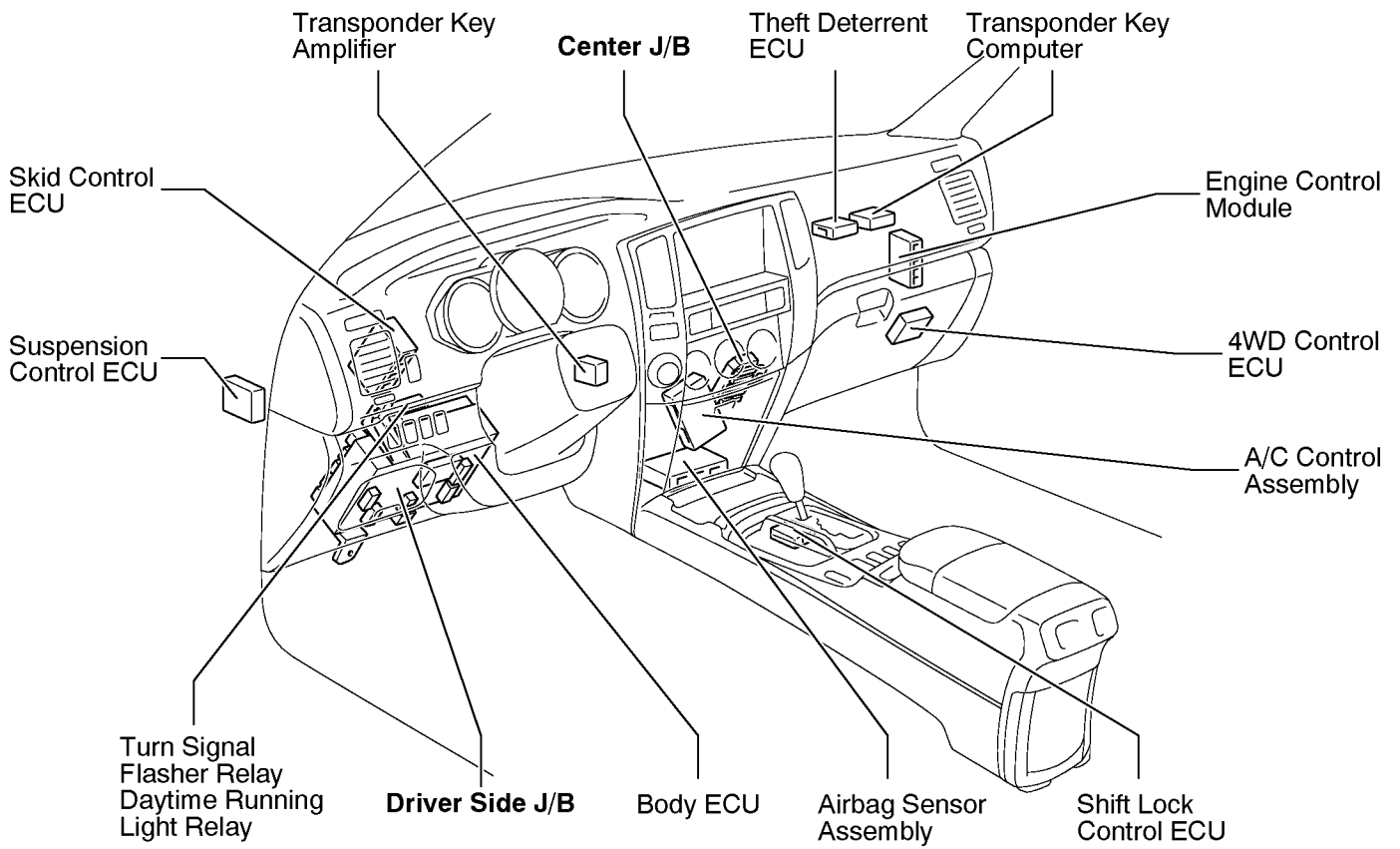
[Engine Compartment]



[Body]



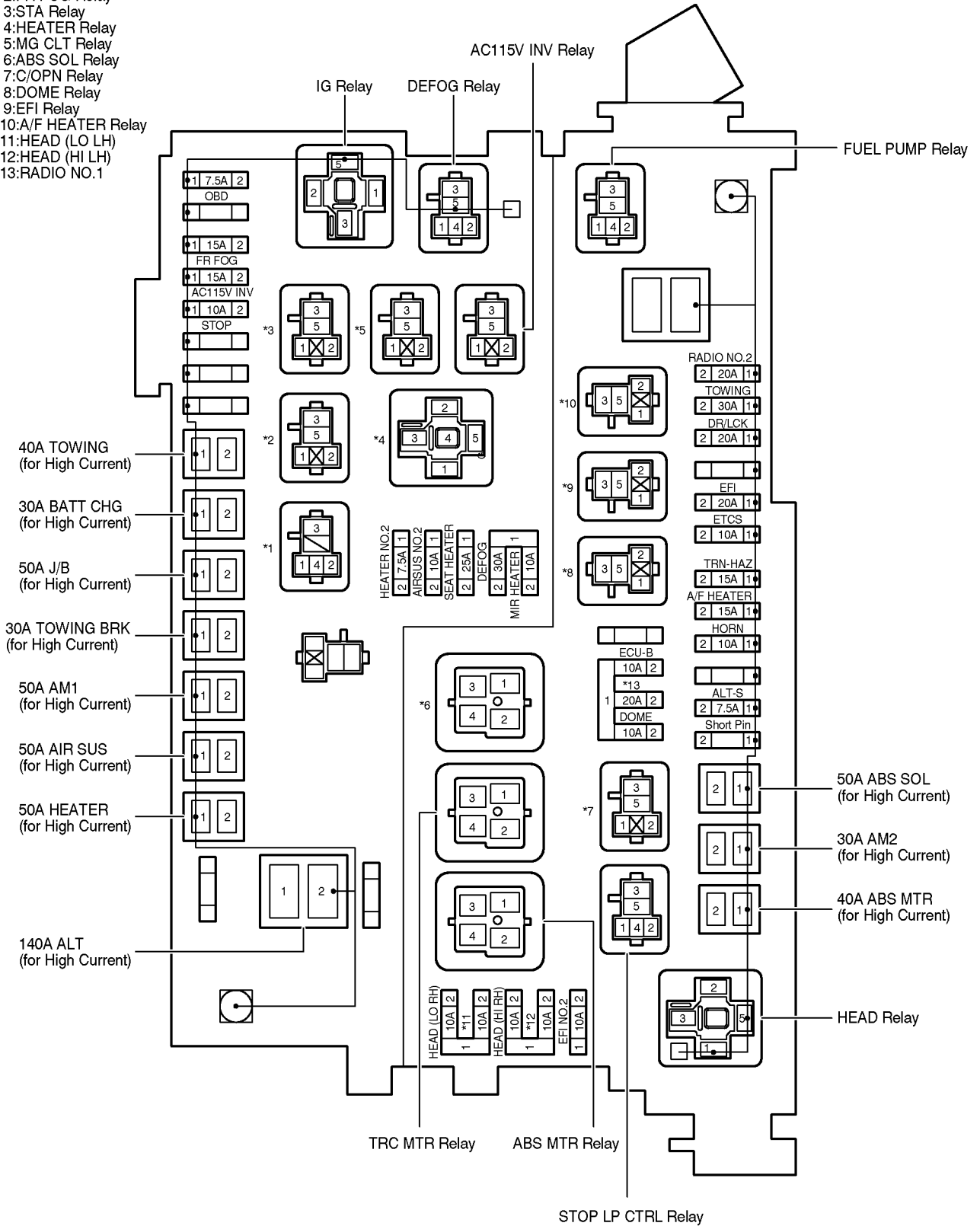
[Instrument Panel]



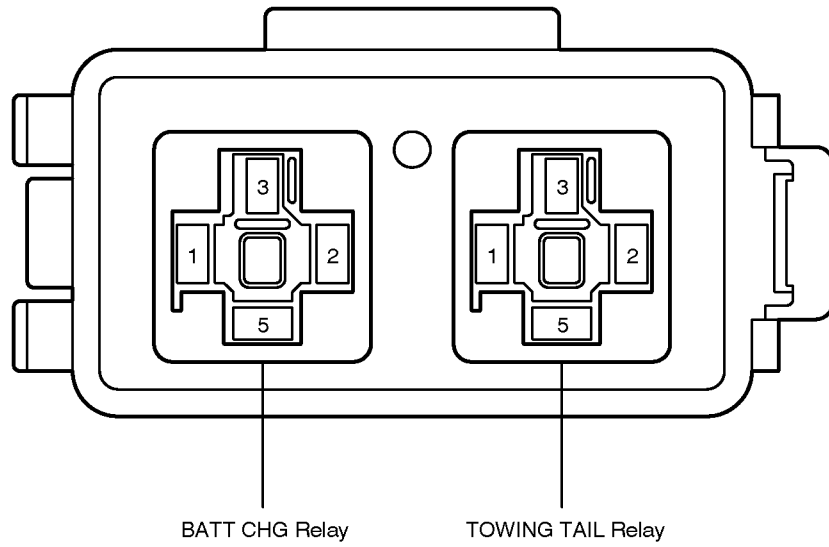
F RELAY LOCATIONS

② : Engine Room R/B Engine Compartment Left (See Page 20)

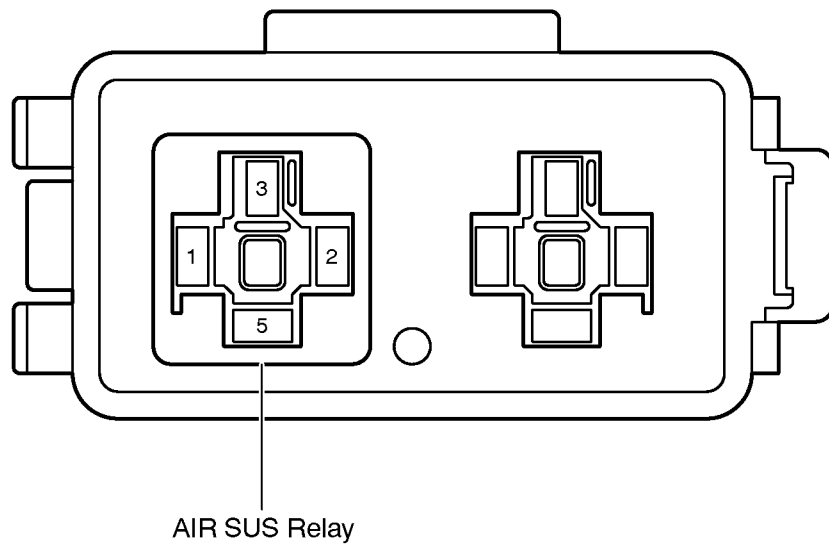
- *1: ACC CUT Relay
- *2: FR FOG Relay
- *3: STA Relay
- *4: HEATER Relay
- *5: MG CLT Relay
- *6: ABS SOL Relay
- *7: C/OPN Relay
- *8: DOME Relay
- *9: EFI Relay
- *10: A/F HEATER Relay
- *11: HEAD (LO LH)
- *12: HEAD (HI LH)
- *13: RADIO NO.1



③ : Engine Room R/B No.3 [Engine Compartment Left \(See Page 20\)](#)

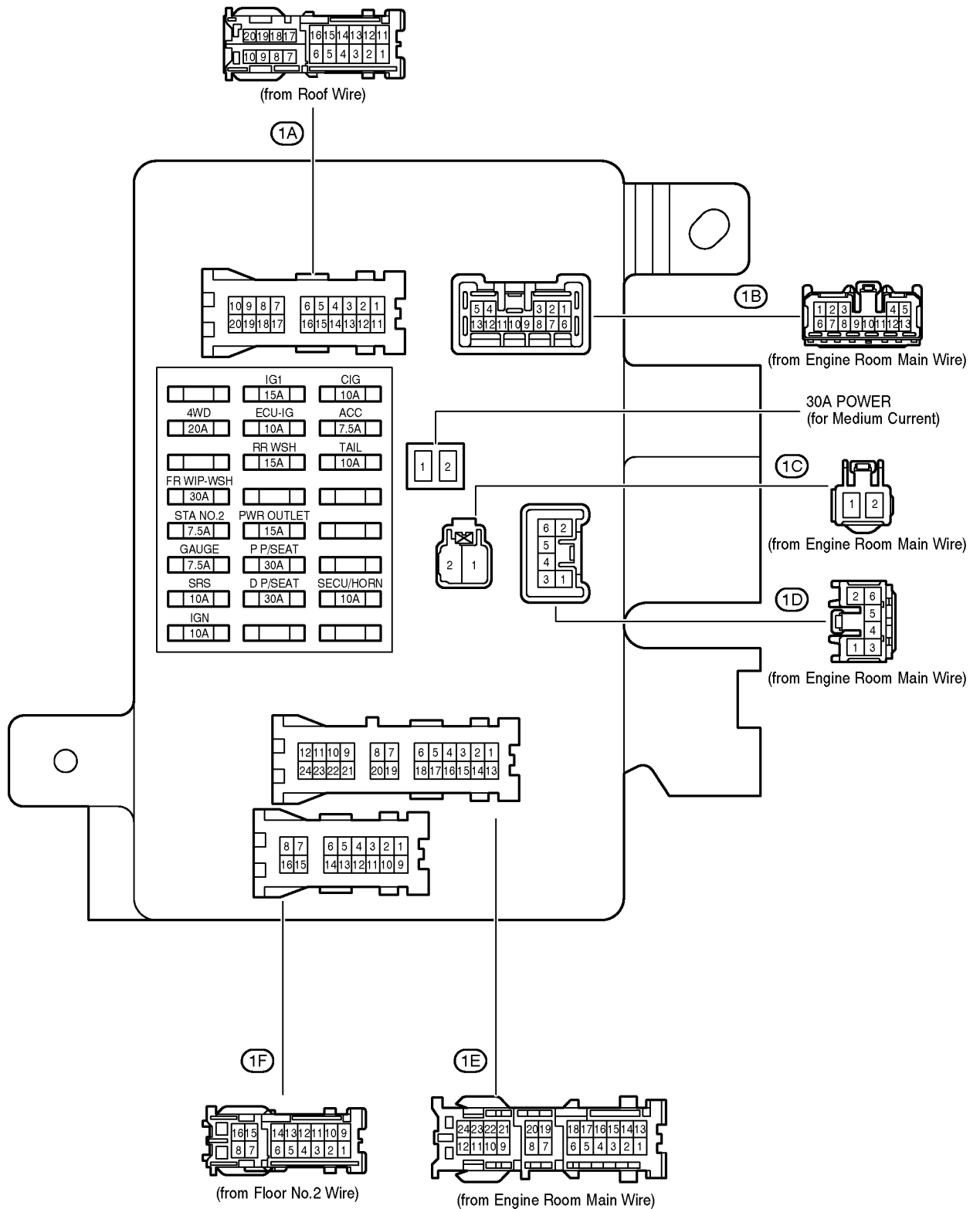


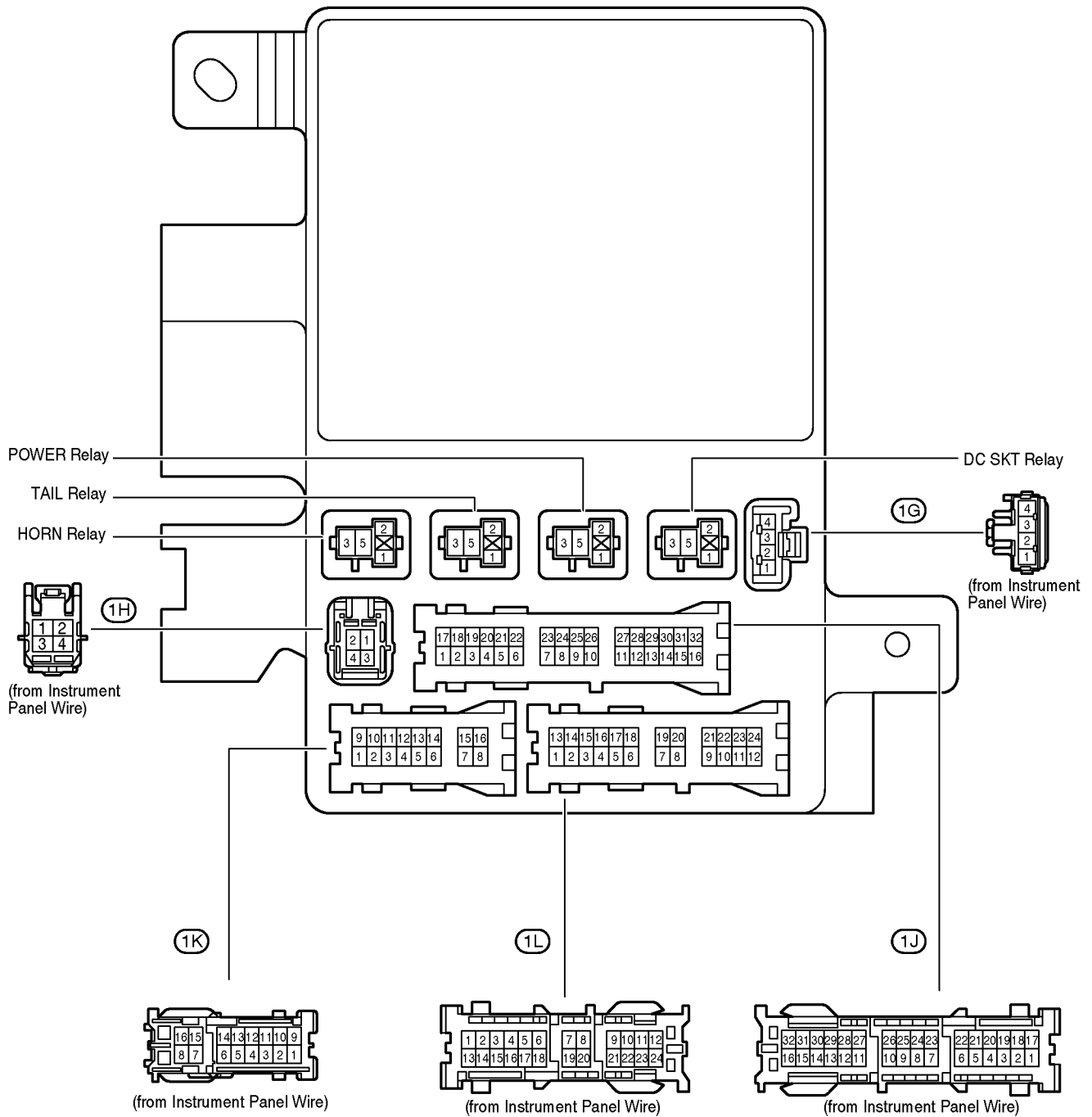
④ : Engine Room R/B No.4 [Engine Compartment Left \(See Page 20\)](#)



F RELAY LOCATIONS

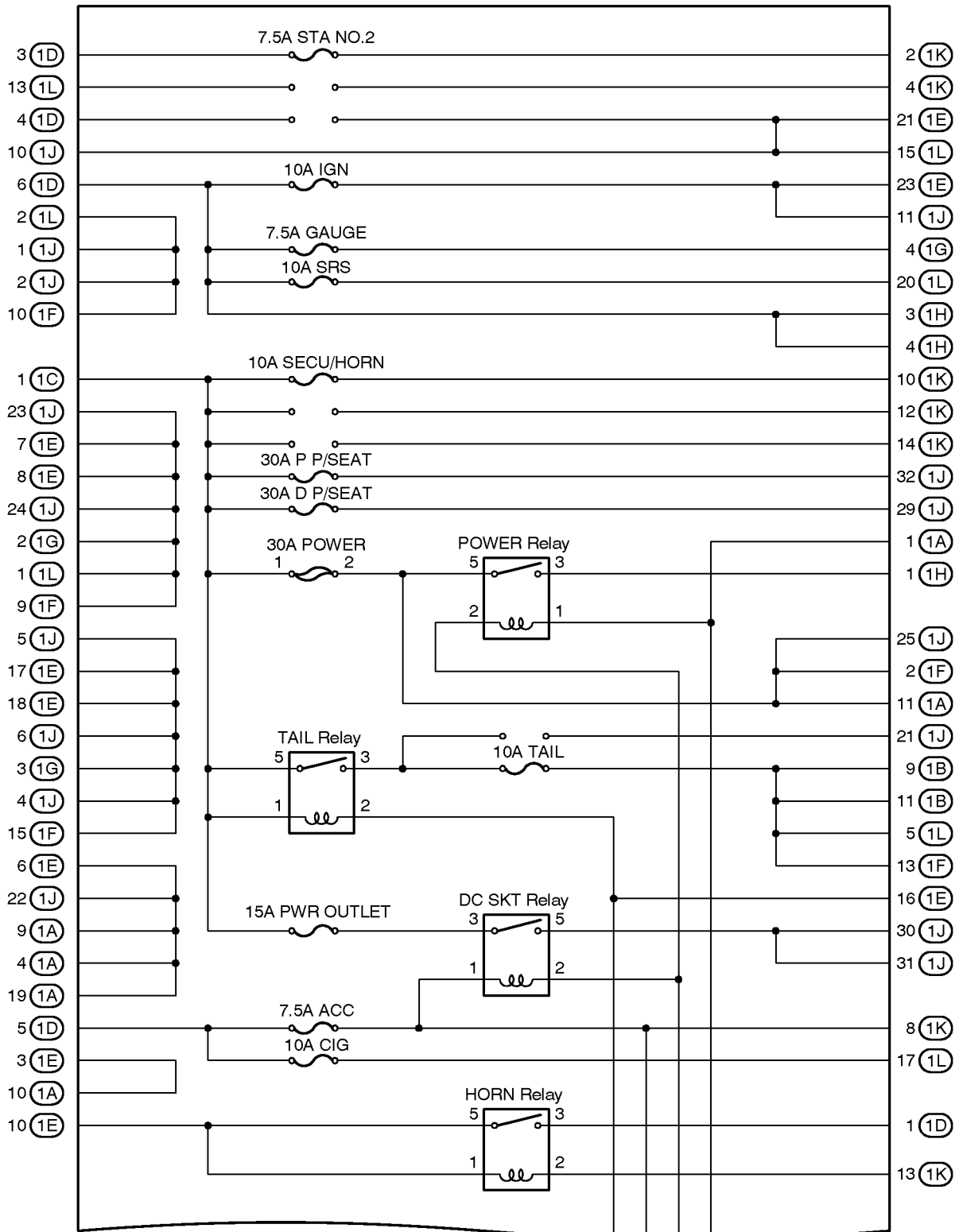
○ : Driver Side J/B Lower Finish Panel (See Page 21)





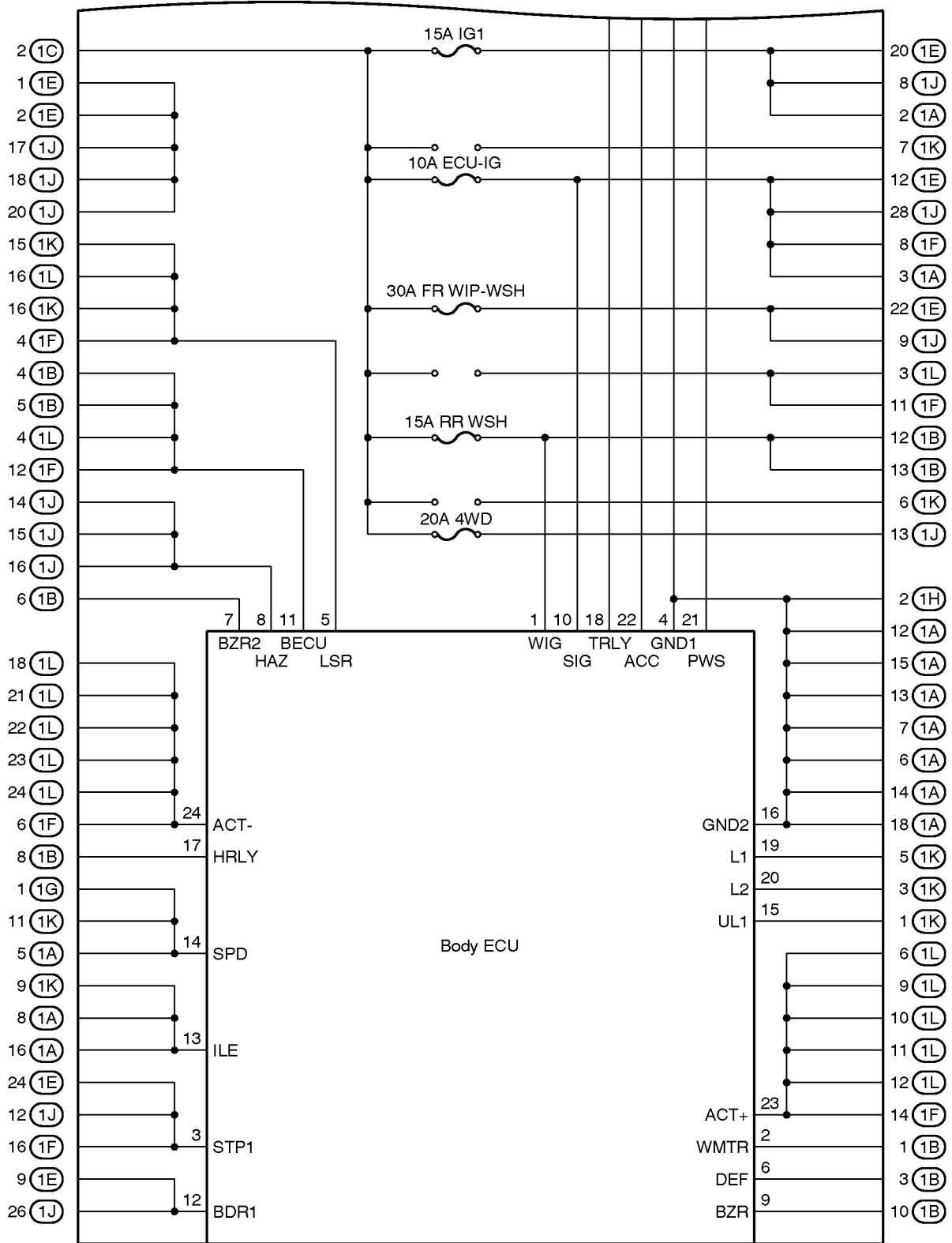
F RELAY LOCATIONS

[Driver Side J/B Inner Circuit]



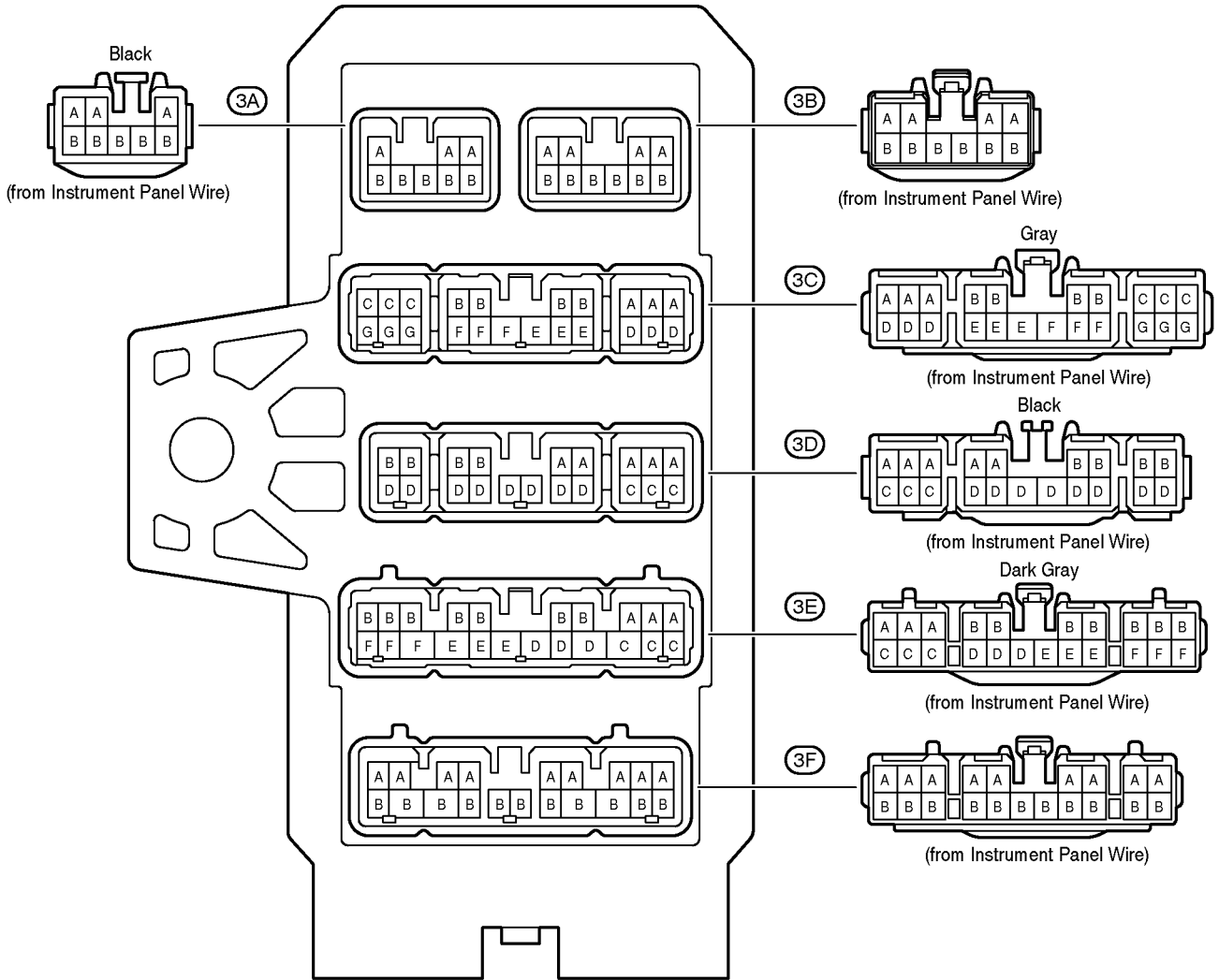
(Cont. Next Page)

(Cont'd)



F RELAY LOCATIONS

○ : Center J/B Instrument Panel Brace RH (See Page 21)



(Cont'd)

