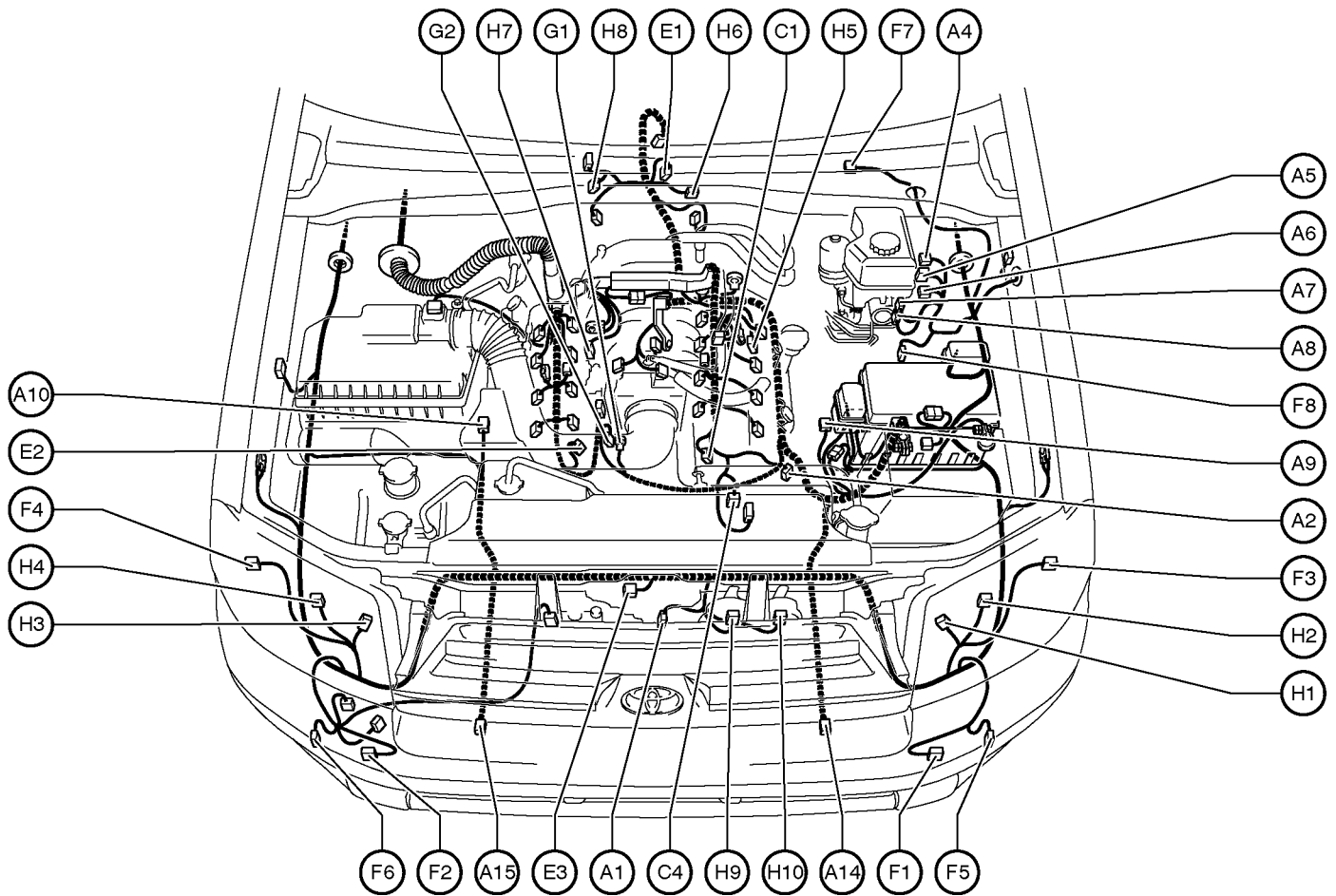


# G ELECTRICAL WIRING ROUTING

## Position of Parts in Engine Compartment

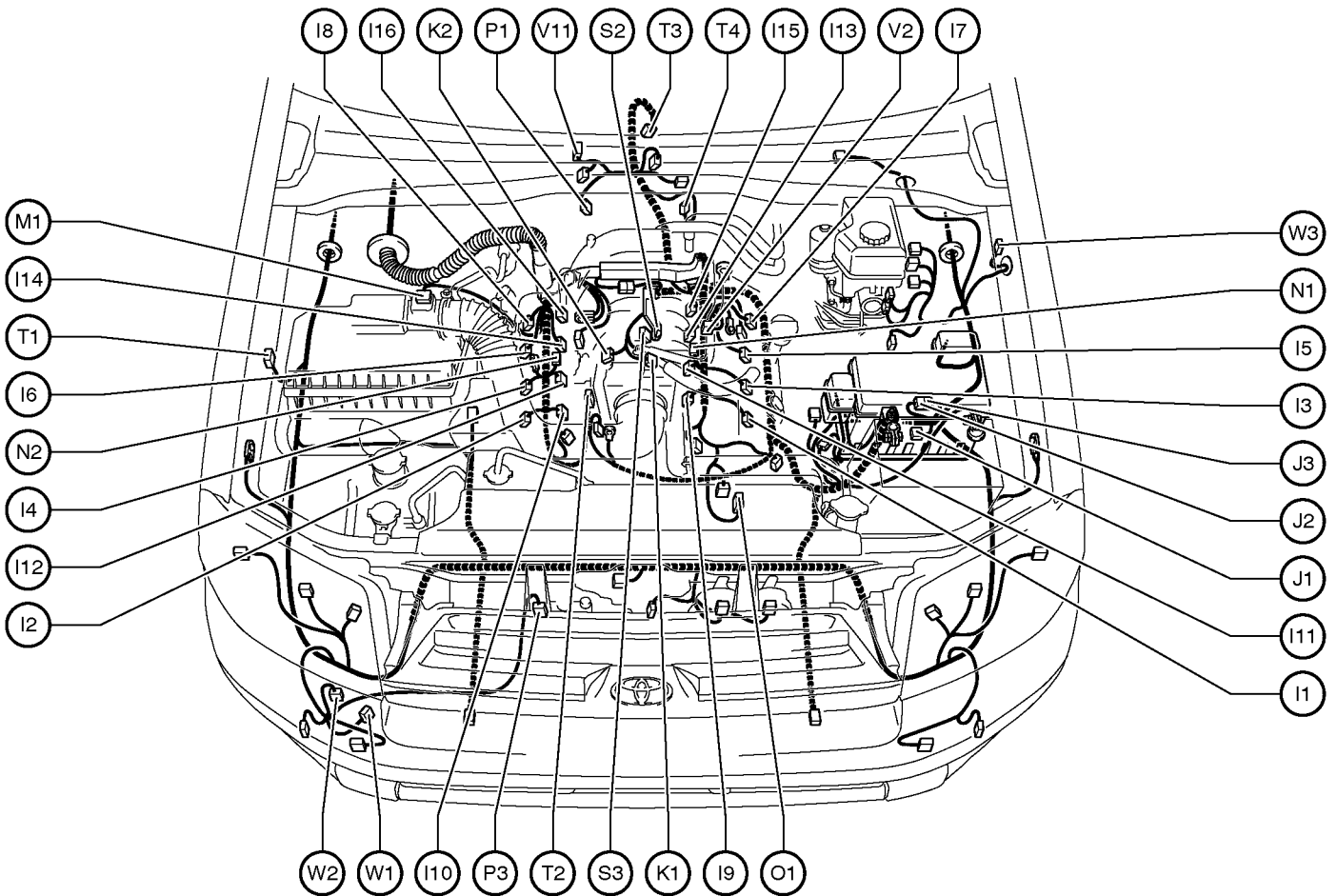
[2UZ-FE]



- |   |  |
|---|--|
| A 1 A/C Ambient Temp. Sensor                        | F 1 Front Fog Light LH                     |
| A 2 A/C Lock Sensor<br>A/C Magnetic Clutch          | F 2 Front Fog Light RH                     |
| A 4 ABS & BA & TRAC & VSC Actuator                  | F 3 Front Parking Light LH                 |
| A 5 ABS & BA & TRAC & VSC Actuator                  | F 4 Front Parking Light RH                 |
| A 6 ABS & BA & TRAC & VSC Actuator                  | F 5 Front Turn Signal Light LH             |
| A 7 ABS & BA & TRAC & VSC Actuator                  | F 6 Front Turn Signal Light RH             |
| A 8 ABS & BA & TRAC & VSC Actuator                  | F 7 Front Wiper Motor                      |
| A 9 ABS Speed Sensor Front LH                       | F 8 Fuel Pump Resistor                     |
| A 10 ABS Speed Sensor Front RH                      | G 1 Generator                              |
| A 14 Airbag Sensor Front LH                         | G 2 Generator                              |
| A 15 Airbag Sensor Front RH                         | H 1 Headlight LH (High)                    |
| C 1 Camshaft Position Sensor                        | H 2 Headlight LH (Low)                     |
| C 4 Crankshaft Position Sensor                      | H 3 Headlight RH (High)                    |
| E 1 Electronically Controlled Transmission Solenoid | H 4 Headlight RH (Low)                     |
| E 2 Engine Coolant Temp. Sensor                     | H 5 Heated Oxygen Sensor (Bank 1 Sensor 1) |
| E 3 Engine Hood Courtesy SW                         | H 6 Heated Oxygen Sensor (Bank 1 Sensor 2) |
|   | H 7 Heated Oxygen Sensor (Bank 2 Sensor 1) |
|   | H 8 Heated Oxygen Sensor (Bank 2 Sensor 2) |
|   | H 9 Horn (High)                            |
|   | H 10 Horn (Low)                            |

## Position of Parts in Engine Compartment

### [2UZ-FE]

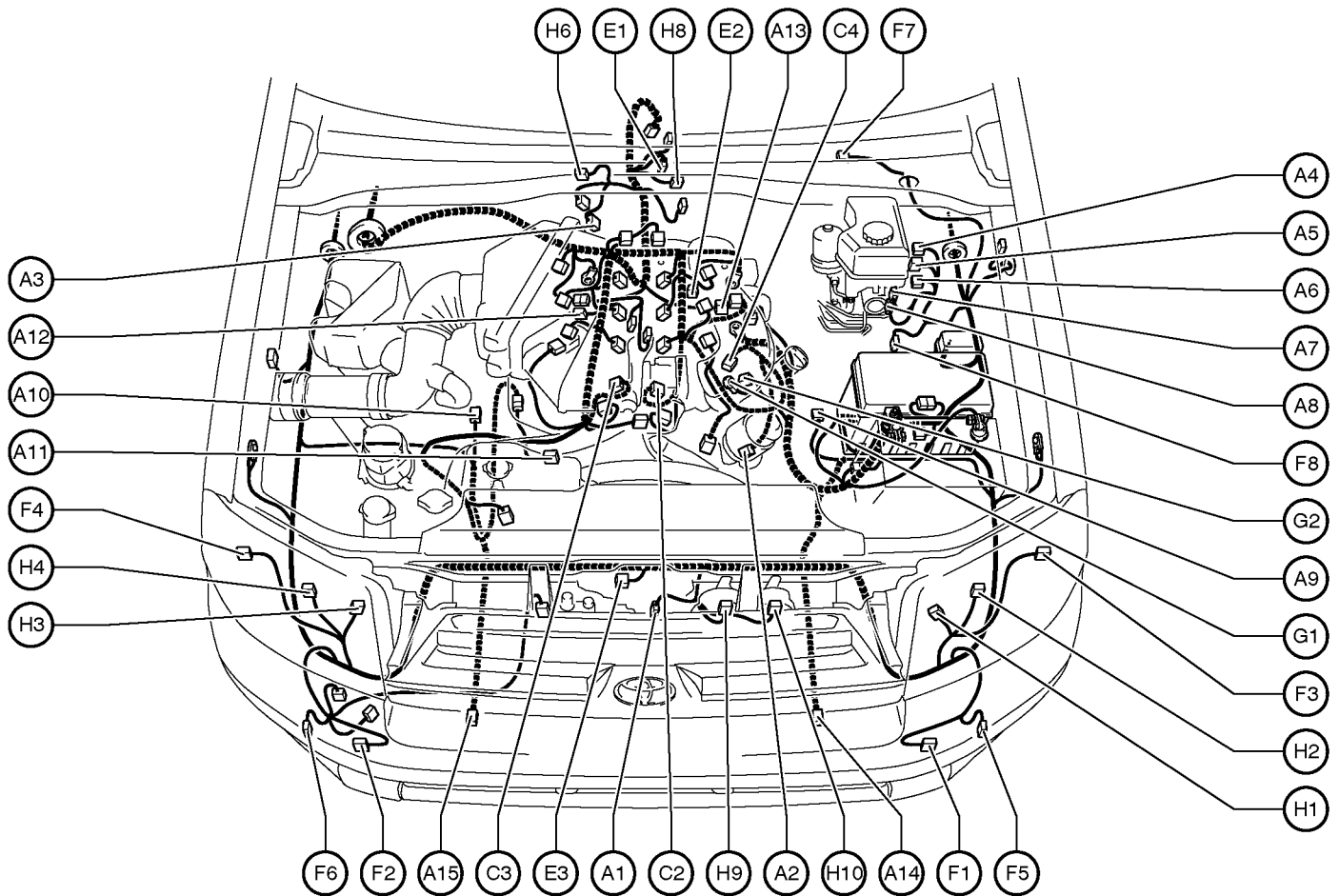


- |                                    |   |
|------------------------------------|---|
| I 1 Ignition Coil and Igniter No.1 | N 1 Noise Filter (Ignition No.1)                                      |
| I 2 Ignition Coil and Igniter No.2 | N 2 Noise Filter (Ignition No.2)                                      |
| I 3 Ignition Coil and Igniter No.3 | O 1 Oil Pressure SW   |
| I 4 Ignition Coil and Igniter No.4 | P 1 Park/Neutral Position SW  |
| I 5 Ignition Coil and Igniter No.5 | P 3 Pressure SW   |
| I 6 Ignition Coil and Igniter No.6 | S 2 Starter   |
| I 7 Ignition Coil and Igniter No.7 | S 3 Starter   |
| I 8 Ignition Coil and Igniter No.8 | T 1 Theft Deterrent Horn  |
| I 9 Injector No.1                  | T 2 Throttle Control Motor<br>Throttle Position Sensor                |
| I 10 Injector No.2                 | T 3 Transfer Shift Actuator   |
| I 11 Injector No.3                 | T 4 Turbine Speed Sensor  |
| I 12 Injector No.4                 | V 2 VSV (EVAP)  |
| I 13 Injector No.5                 | V 11 Vehicle Speed Sensor<br>(Electronically Controlled Transmission) |
| I 14 Injector No.6                 |   |
| I 15 Injector No.7                 |   |
| I 16 Injector No.8                 |   |
| J 1 Junction Connector             |   |
| J 2 Junction Connector             |   |
| J 3 Junction Connector             |   |
| K 1 Knock Sensor 1                 | W 1 Washer Level Sensor   |
| K 2 Knock Sensor 2                 | W 2 Washer Motor  |
| M 1 Mass Air Flow Meter            | W 3 Wireless Door Lock Buzzer   |

# G ELECTRICAL WIRING ROUTING

## Position of Parts in Engine Compartment

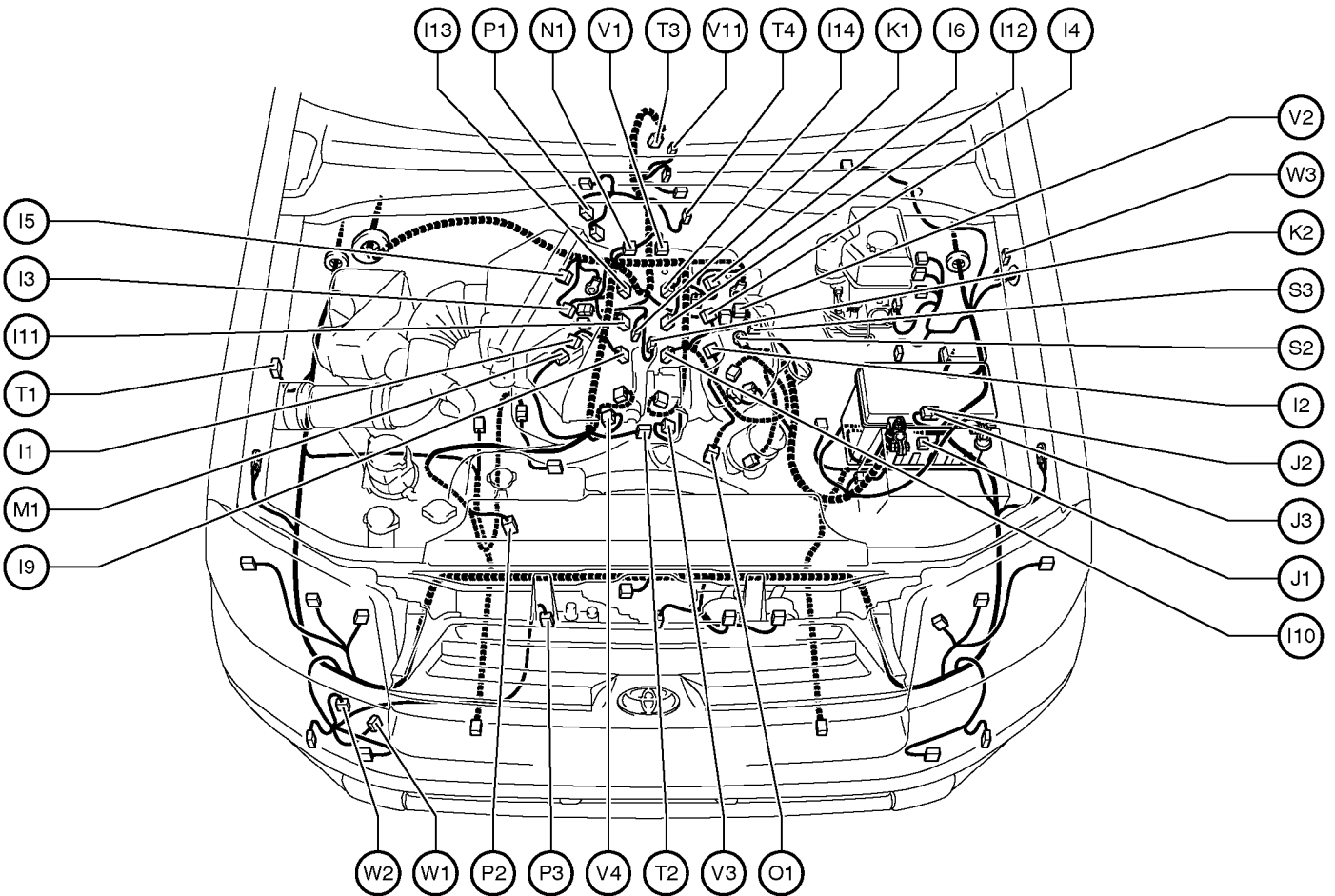
[1GR-FE]



- |   |  |
|---|--|
| A 1 A/C Ambient Temp. Sensor                        | F 1 Front Fog Light LH                     |
| A 2 A/C Lock Sensor<br>A/C Magnetic Clutch          | F 2 Front Fog Light RH                     |
| A 3 A/T Fluid Temp. Sensor                          | F 3 Front Parking Light LH                 |
| A 4 ABS & BA & TRAC & VSC Actuator                  | F 4 Front Parking Light RH                 |
| A 5 ABS & BA & TRAC & VSC Actuator                  | F 5 Front Turn Signal Light LH             |
| A 6 ABS & BA & TRAC & VSC Actuator                  | F 6 Front Turn Signal Light RH             |
| A 7 ABS & BA & TRAC & VSC Actuator                  | F 7 Front Wiper Motor                      |
| A 8 ABS & BA & TRAC & VSC Actuator                  | F 8 Fuel Pump Resistor                     |
| A 9 ABS Speed Sensor Front LH                       | G 1 Generator                              |
| A 10 ABS Speed Sensor Front RH                      | G 2 Generator                              |
| A 11 ADD Actuator                                   | H 1 Headlight LH (High)                    |
| A 12 Air Fuel Ratio Sensor (Bank 1 Sensor 1)        | H 2 Headlight LH (Low)                     |
| A 13 Air Fuel Ratio Sensor (Bank 2 Sensor 1)        | H 3 Headlight RH (High)                    |
| A 14 Airbag Sensor Front LH                         | H 4 Headlight RH (Low)                     |
| A 15 Airbag Sensor Front RH                         | H 6 Heated Oxygen Sensor (Bank 1 Sensor 2) |
| C 2 Camshaft Timing Oil Control Valve LH            | H 8 Heated Oxygen Sensor (Bank 2 Sensor 2) |
| C 3 Camshaft Timing Oil Control Valve RH            | H 9 Horn (High)                            |
| C 4 Crankshaft Position Sensor                      | H 10 Horn (Low)                            |
| E 1 Electronically Controlled Transmission Solenoid |  |
| E 2 Engine Coolant Temp. Sensor                     |  |
| E 3 Engine Hood Courtesy SW                         |  |

## Position of Parts in Engine Compartment

### [1GR-FE]



- I 1 Ignition Coil and Igniter No.1
- I 2 Ignition Coil and Igniter No.2
- I 3 Ignition Coil and Igniter No.3
- I 4 Ignition Coil and Igniter No.4
- I 5 Ignition Coil and Igniter No.5
- I 6 Ignition Coil and Igniter No.6
- I 9 Injector No.1
- I 10 Injector No.2
- I 11 Injector No.3
- I 12 Injector No.4
- I 13 Injector No.5
- I 14 Injector No.6

- J 1 Junction Connector
- J 2 Junction Connector
- J 3 Junction Connector

- K 1 Knock Sensor 1
- K 2 Knock Sensor 2

- M 1 Mass Air Flow Meter

- N 1 Noise Filter (Ignition No.1)

- O 1 Oil Pressure SW

- P 1 Park/Neutral Position SW
- P 2 Power Steering Oil Pressure SW
- P 3 Pressure SW

- S 2 Starter
- S 3 Starter

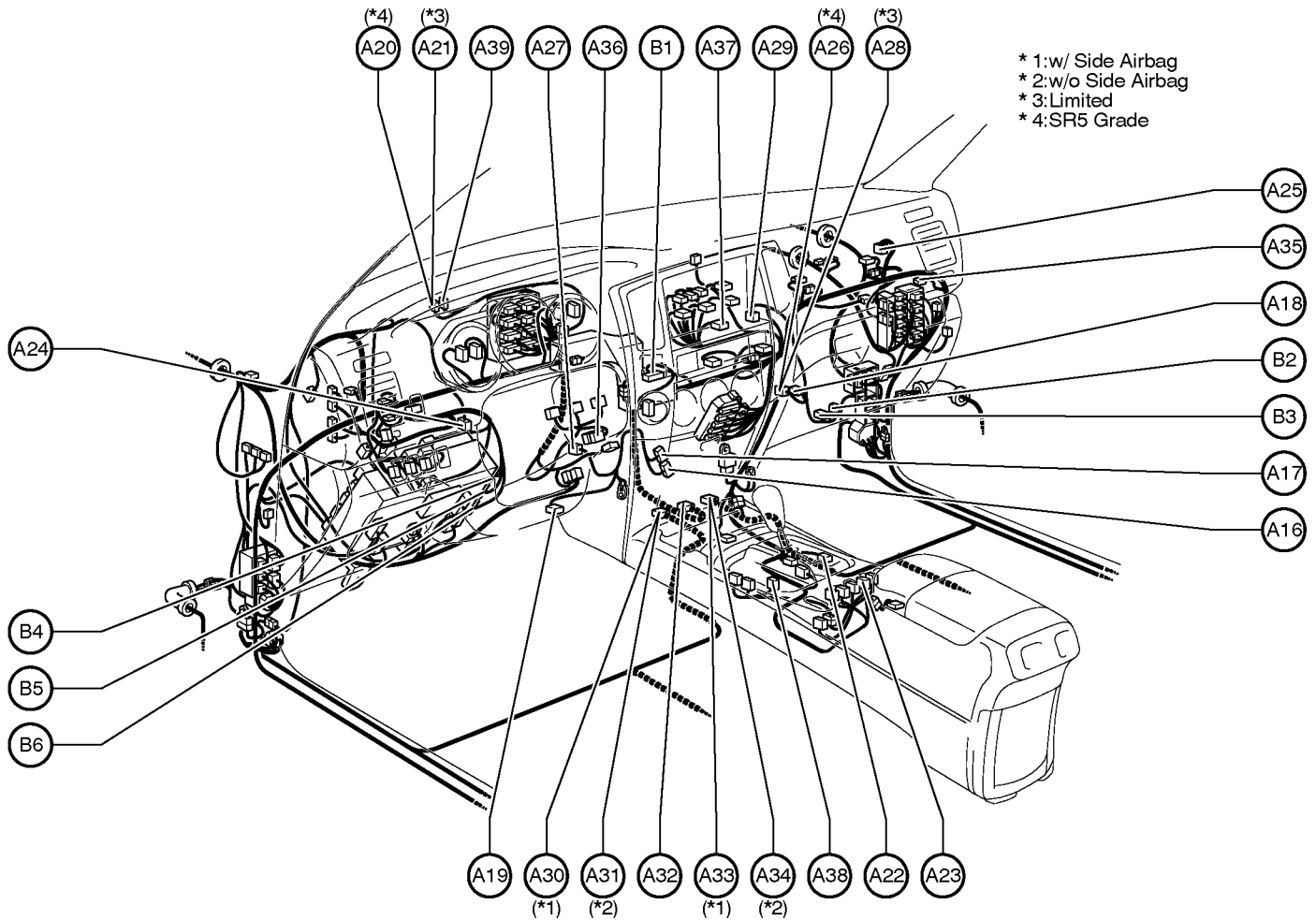
- T 1 Theft Deterrent Horn
- T 2 Throttle Control Motor  
Throttle Position Sensor
- T 3 Transfer Shift Actuator
- T 4 Turbine Speed Sensor

- V 1 VSV (ACIS)
- V 2 VSV (EVAP)
- V 3 VVT Sensor LH
- V 4 VVT Sensor RH
- V 11 Vehicle Speed Sensor  
(Electronically Controlled Transmission)

- W 1 Washer Level Sensor
- W 2 Washer Motor
- W 3 Wireless Door Lock Buzzer

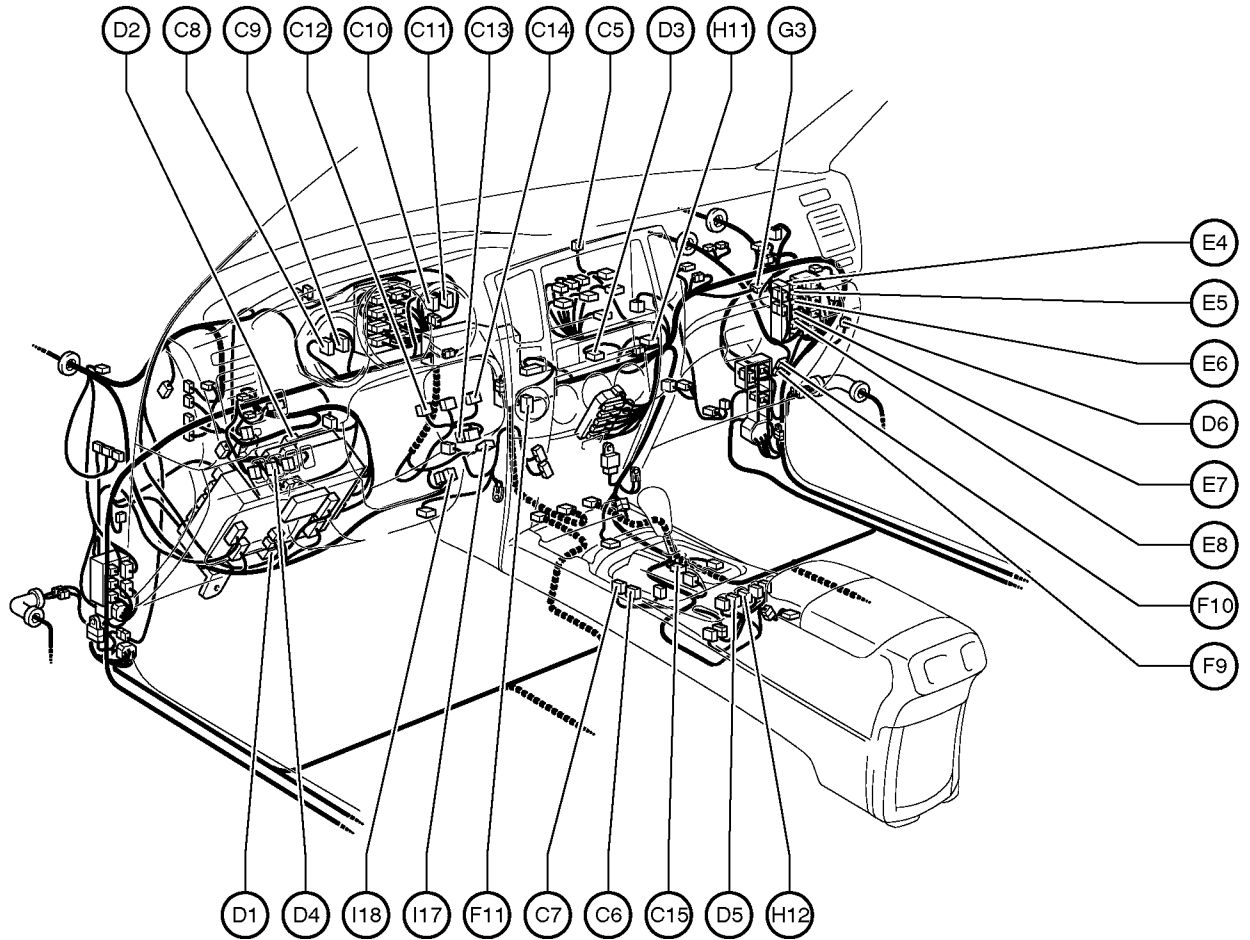
# G ELECTRICAL WIRING ROUTING

## Position of Parts in Instrument Panel



- |   |                                       |
|---|---------------------------------------|
| A 16 A/C Control Assembly                           | B 1 Back Door Power Window Control SW |
| A 17 A/C Control Assembly                           | B 2 Blower Motor                      |
| A 18 A/C Evaporator Temp. Sensor                    | B 3 Blower Motor Controller           |
| A 19 A/C Room Temp. Sensor                          | B 4 Body ECU                          |
| A 20 A/C Solar Sensor                               | B 5 Body ECU                          |
| A 21 A/C Solar Sensor                               | B 6 Body ECU                          |
| A 22 A/T Shift Lever Illumination                   |                                       |
| A 23 Absorber Control SW                            |                                       |
| A 24 Accel Position Sensor                          |                                       |
| A 25 Air Inlet Control Servo Motor                  |                                       |
| A 26 Air Mix Control Servo Motor                    |                                       |
| A 27 Air Mix Control Servo Motor LH                 |                                       |
| A 28 Air Mix Control Servo Motor RH                 |                                       |
| A 29 Air Vent Mode Control Servo Motor              |                                       |
| A 30 Airbag Sensor Assembly                         |                                       |
| A 31 Airbag Sensor Assembly                         |                                       |
| A 32 Airbag Sensor Assembly                         |                                       |
| A 33 Airbag Sensor Assembly                         |                                       |
| A 34 Airbag Sensor Assembly                         |                                       |
| A 35 Airbag Squib (Front Passenger Airbag Assembly) |                                       |
| A 36 Airbag Squib (Steering Wheel Pad)              |                                       |
| A 37 Antenna Amplifier                              |                                       |
| A 38 Ashtray Illumination                           |                                       |
| A 39 Automatic Light Control Sensor                 |                                       |

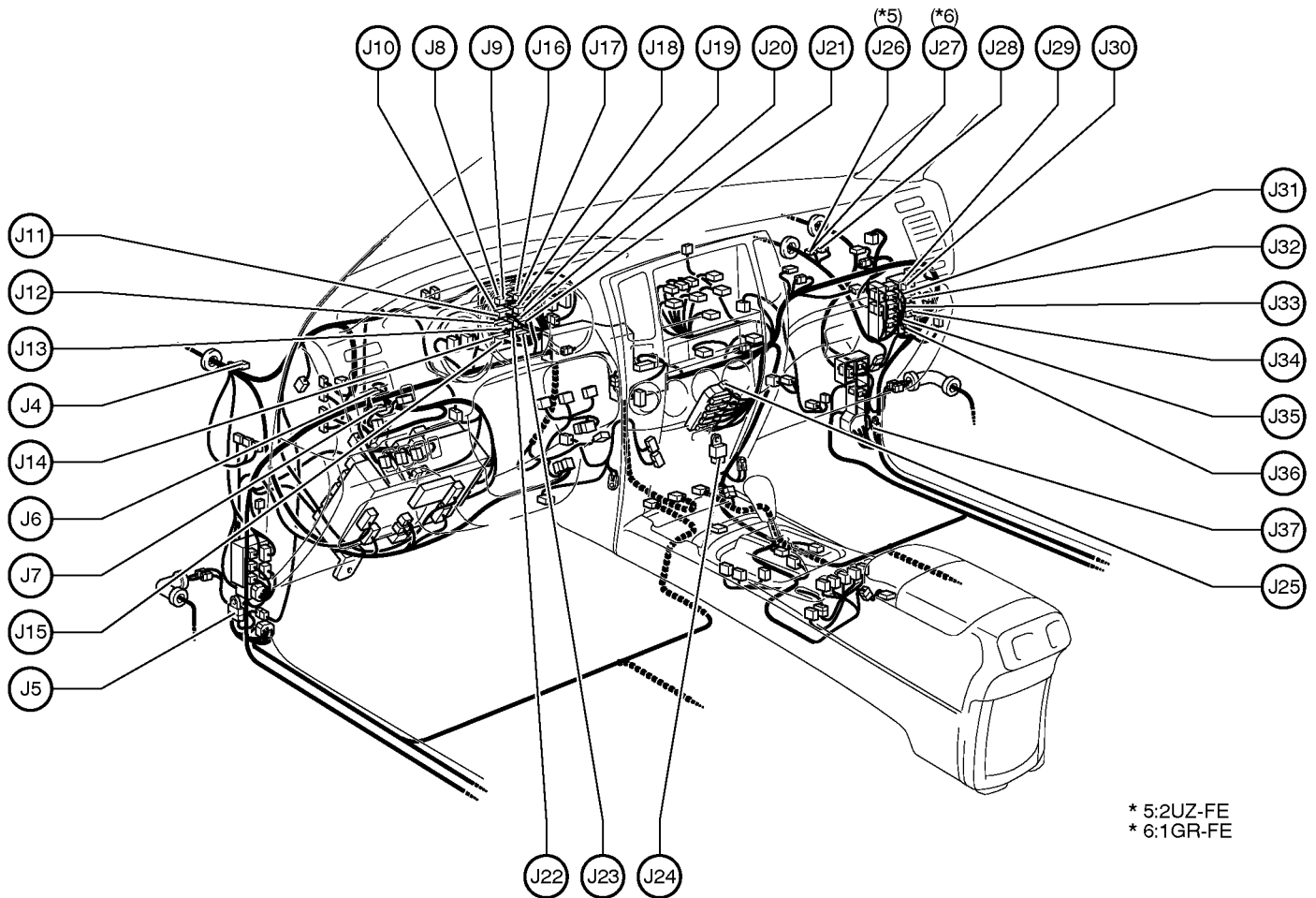
## Position of Parts in Instrument Panel



- |  |                                  |
|--|----------------------------------|
| C 5 Center Speaker   | E 4 Engine Control Module        |
| C 6 Cigarette Lighter  | E 5 Engine Control Module        |
| C 7 Cigarette Lighter Illumination   | E 6 Engine Control Module        |
| C 8 Combination Meter  | E 7 Engine Control Module        |
| C 9 Combination Meter  | E 8 Engine Control Module        |
| C10 Combination Meter  | F 9 4WD Control ECU              |
| C11 Combination Meter  | F10 4WD Control ECU              |
| C12 Combination SW   | F11 4WD Control SW               |
| C13 Combination SW   | G 3 Glove Box Light              |
| C14 Combination SW   | H11 Hazard SW                    |
| C15 Cup Holder Illumination  | H12 Height Control SW            |
| D 1 Data Link Connector 3  | I 17 Ignition Key Cylinder Light |
| D 2 Daytime Running Light Relay<br>Turn Signal Flasher Relay   | Transponder Key Amplifier        |
| D 3 Defogger SW<br>Heater Control Panel<br>Passenger Seat Belt Warning Light<br>Security Indicator Light | I 18 Ignition SW                 |
| D 4 Diff. Lock SW  |                                  |
| D 5 Downhill Assist Control SW   |                                  |
| D 6 DVD Automatic Changer  |                                  |

# G ELECTRICAL WIRING ROUTING

## Position of Parts in Instrument Panel

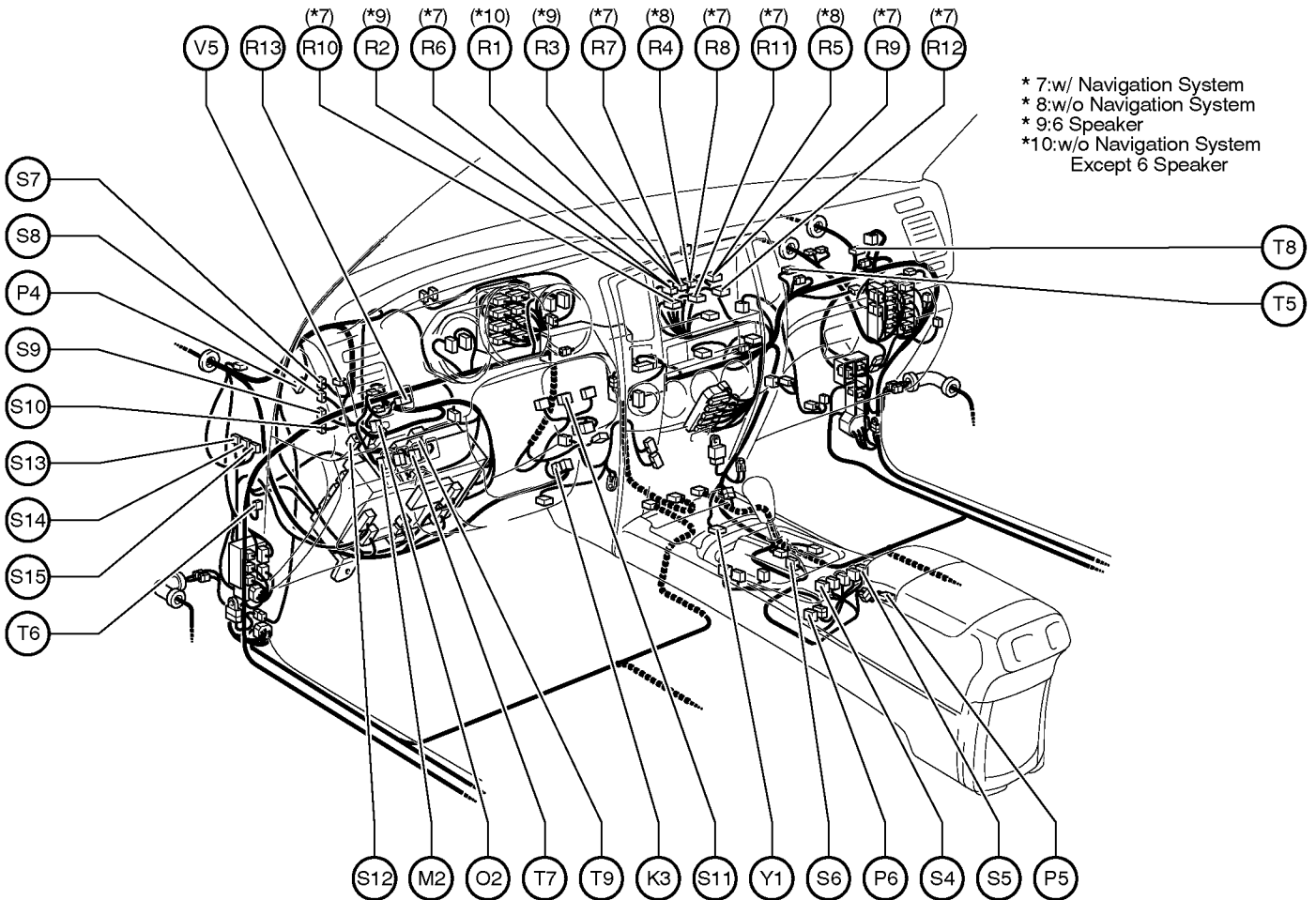


\* 5:2UZ-FE  
\* 6:1GR-FE

- J 4 Junction Connector
- J 5 Junction Connector
- J 6 Junction Connector
- J 7 Junction Connector
- J 8 Junction Connector
- J 9 Junction Connector
- J 10 Junction Connector
- J 11 Junction Connector
- J 12 Junction Connector
- J 13 Junction Connector
- J 14 Junction Connector
- J 15 Junction Connector
- J 16 Junction Connector
- J 17 Junction Connector
- J 18 Junction Connector
- J 19 Junction Connector
- J 20 Junction Connector

- J 21 Junction Connector
- J 22 Junction Connector
- J 23 Junction Connector
- J 24 Junction Connector
- J 25 Junction Connector
- J 26 Junction Connector
- J 27 Junction Connector
- J 28 Junction Connector
- J 29 Junction Connector
- J 30 Junction Connector
- J 31 Junction Connector
- J 32 Junction Connector
- J 33 Junction Connector
- J 34 Junction Connector
- J 35 Junction Connector
- J 36 Junction Connector
- J 37 Junction Connector

## Position of Parts in Instrument Panel



K 3 Key Interlock Solenoid  
Unlock Warning SW

M 2 Main SW

O 2 ODO/Trip SW  
Turn Signal Indicator Light

P 4 Parking Brake SW  
P 5 Power Outlet (115V)  
P 6 Power Outlet (Front)

R 1 Radio and Player  
R 2 Radio and Player  
R 3 Radio and Player  
R 4 Radio and Player  
R 5 Radio and Player  
R 6 Radio and Player with Display  
R 7 Radio and Player with Display  
R 8 Radio and Player with Display  
R 9 Radio and Player with Display  
R10 Radio and Player with Display  
R11 Radio and Player with Display  
R12 Radio and Player with Display  
R13 Rheostat

S 4 Seat Heater SW LH  
S 5 Seat Heater SW RH  
S 6 Shift Lock Control ECU  
Transmission Control SW  
S 7 Skid Control ECU  
S 8 Skid Control ECU  
S 9 Skid Control ECU  
S10 Skid Control ECU  
S11 Steering Sensor  
S12 Stop Light SW  
S13 Suspension Control ECU  
S14 Suspension Control ECU  
S15 Suspension Control ECU

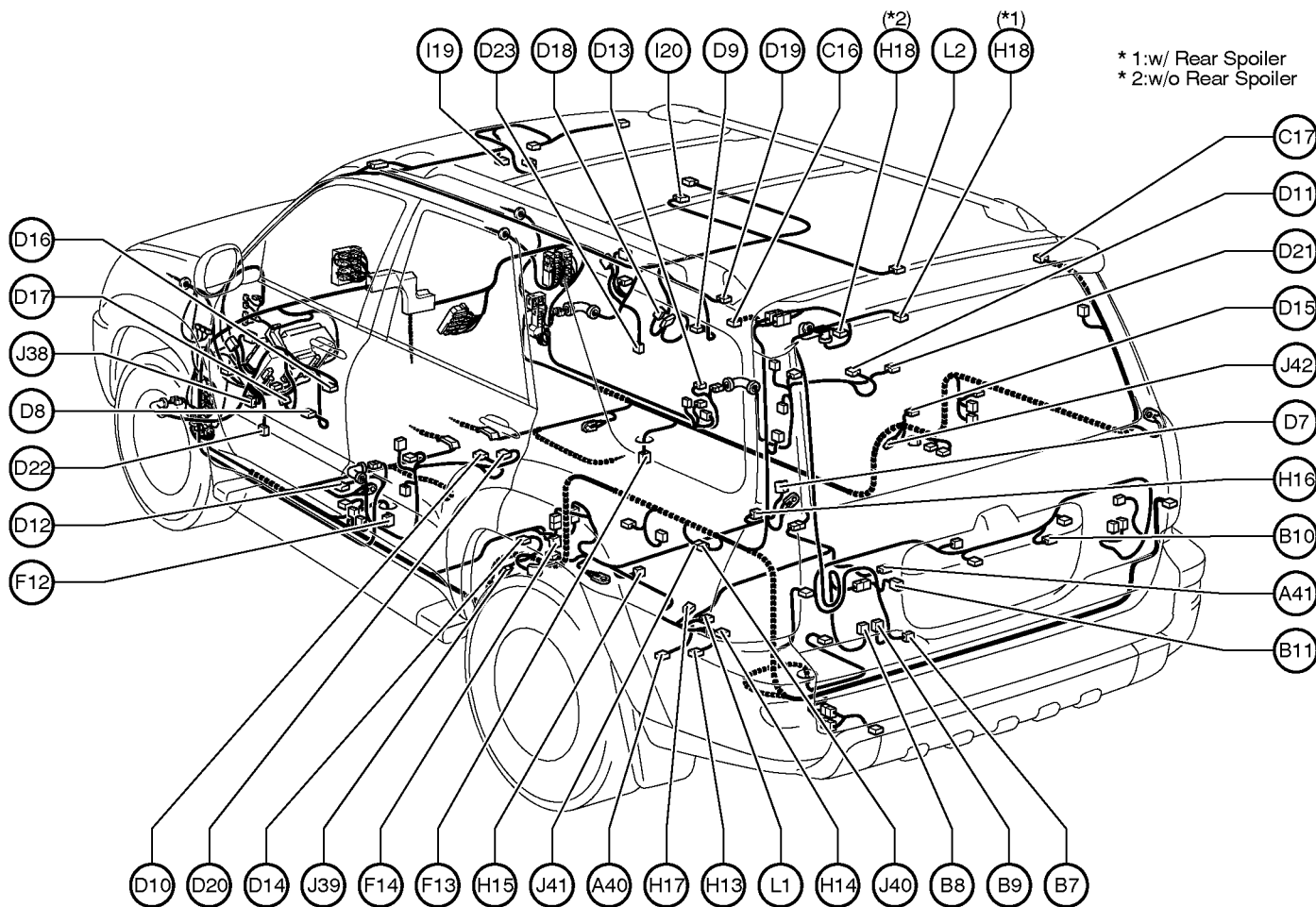
T 5 Theft Deterrent ECU  
T 6 Towing Brake Controller  
T 7 TRAC Off SW  
T 8 Transponder Key Computer  
T 9 Turn Signal Flasher Relay

V 5 VSC Warning Buzzer

Y 1 Yaw Rate Sensor

# G ELECTRICAL WIRING ROUTING

## Position of Parts in Body



\* 1:w/ Rear Spoiler  
\* 2:w/o Rear Spoiler

A40 ABS Speed Sensor Rear LH  
A41 ABS Speed Sensor Rear RH

B 7 Back Door Courtesy SW  
Back Door Half Latch SW  
Back Door Lock Detection SW  
Back Door Lock Motor  
B 8 Back Door ECU  
B 9 Back Door ECU  
B10 Back Door Opener SW  
License Plate Light  
B11 Back Door Power Window Motor

C16 Curtain Shield Airbag Squib LH  
C17 Curtain Shield Airbag Squib RH

D 7 Door Control Receiver  
D 8 Door Courtesy Light Front LH  
D 9 Door Courtesy Light Front RH  
D10 Door Courtesy Light Rear LH  
D11 Door Courtesy Light Rear RH  
D12 Door Courtesy SW Front LH  
D13 Door Courtesy SW Front RH  
D14 Door Courtesy SW Rear LH  
D15 Door Courtesy SW Rear RH  
D16 Door Key Lock and Unlock SW Front LH  
Door Lock Detection SW Front LH  
Door Lock Motor Front LH  
D17 Door Lock Control SW Front LH  
Power Window Master SW  
D18 Door Lock Control SW Front RH  
D19 Door Lock Detection SW Front RH  
Door Lock Motor Front RH

D20 Door Lock Detection SW Rear LH  
Door Lock Motor Rear LH  
D21 Door Lock Detection SW Rear RH  
Door Lock Motor Rear RH  
D22 Door Speaker Front LH  
D23 Door Speaker Front RH

F 12 Foot Light LH  
F 13 Foot Light RH  
F 14 Fuel Pump  
Fuel Sender

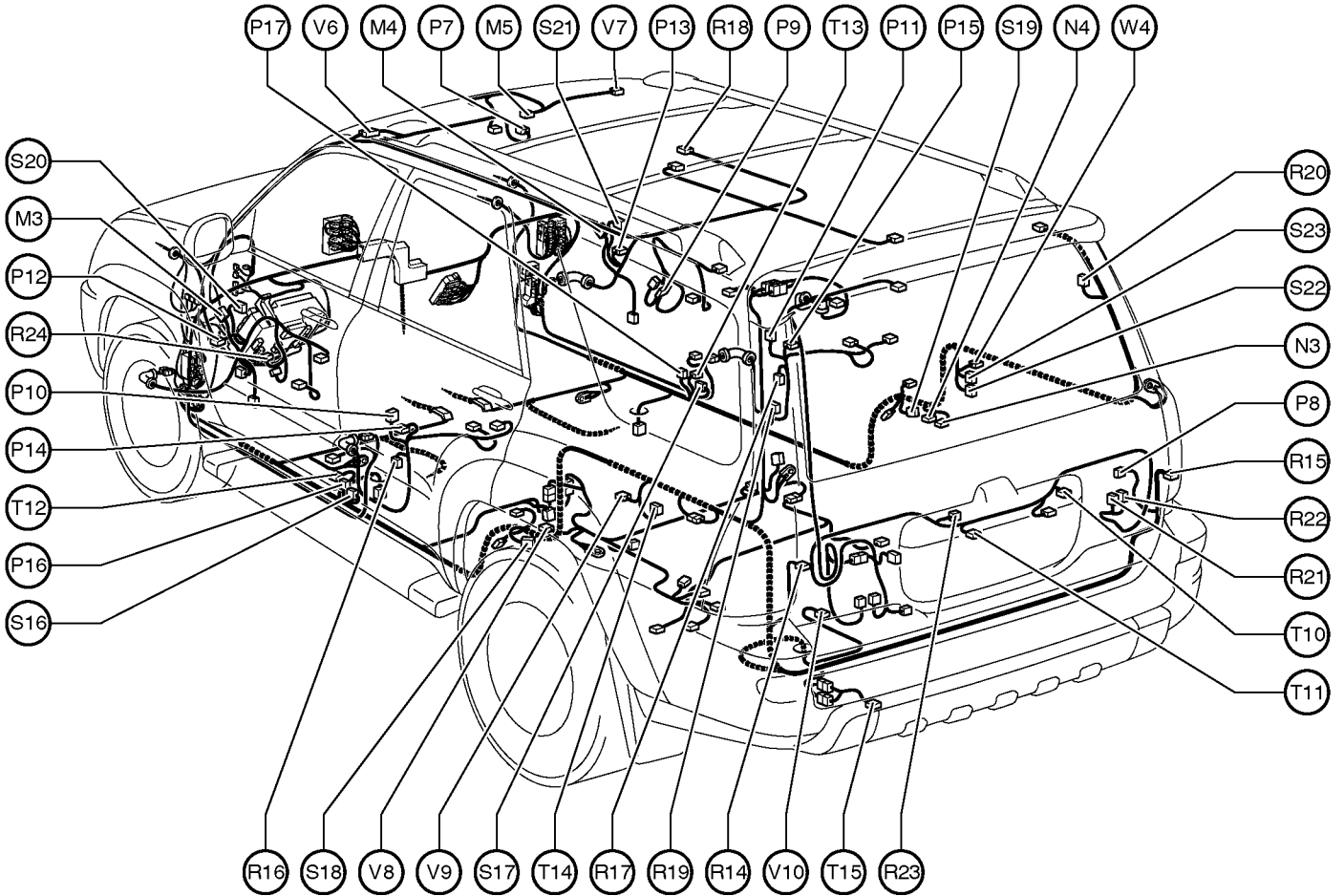
H13 Height Control Compressor  
H14 Height Control Motor  
H15 Height Control Sensor Rear LH  
H16 Height Control Sensor Rear RH  
H17 Height Control Valve  
H18 High Mounted Stop Light

I 19 Inner Mirror  
I 20 Interior Light

J 38 Junction Connector  
J 39 Junction Connector  
J 40 Junction Connector  
J 41 Junction Connector  
J 42 Junction Connector

L 1 Low Pressure Tank Valve  
L 2 Luggage Compartment Light

## Position of Parts in Body



M 3 Mirror Heater LH  
Remote Control Mirror LH  
M 4 Mirror Heater RH  
Remote Control Mirror RH  
M 5 Moon Roof Control ECU

N 3 Navigation ECU  
N 4 Navigation ECU

P 7 Moon Roof Control SW  
Personal Light  
P 8 Power Outlet (Rear)  
P 9 Power Window Control SW Front RH  
P10 Power Window Control SW Rear LH  
P11 Power Window Control SW Rear RH  
P12 Power Window Motor Front LH  
P13 Power Window Motor Front RH  
P14 Power Window Motor Rear LH  
P15 Power Window Motor Rear RH  
P16 Pretensioner LH  
P17 Pretensioner RH

R14 Rear Combination Light LH  
R15 Rear Combination Light RH  
R16 Rear Door Speaker LH  
R17 Rear Door Speaker RH  
R18 Rear Seat Audio Controller  
R19 Rear Speaker LH  
R20 Rear Speaker RH

R21 Rear Window Defogger  
R22 Rear Window Defogger  
R23 Rear Wiper Motor  
Rear Wiper Position SW  
R24 Remote Control Mirror SW

S16 Side Airbag Sensor Front LH  
S17 Side Airbag Sensor Front RH  
S18 Side Airbag Sensor Rear LH  
S19 Side Airbag Sensor Rear RH  
S20 Squawker LH  
S21 Squawker RH  
S22 Stereo Component Amplifier  
S23 Stereo Component Amplifier

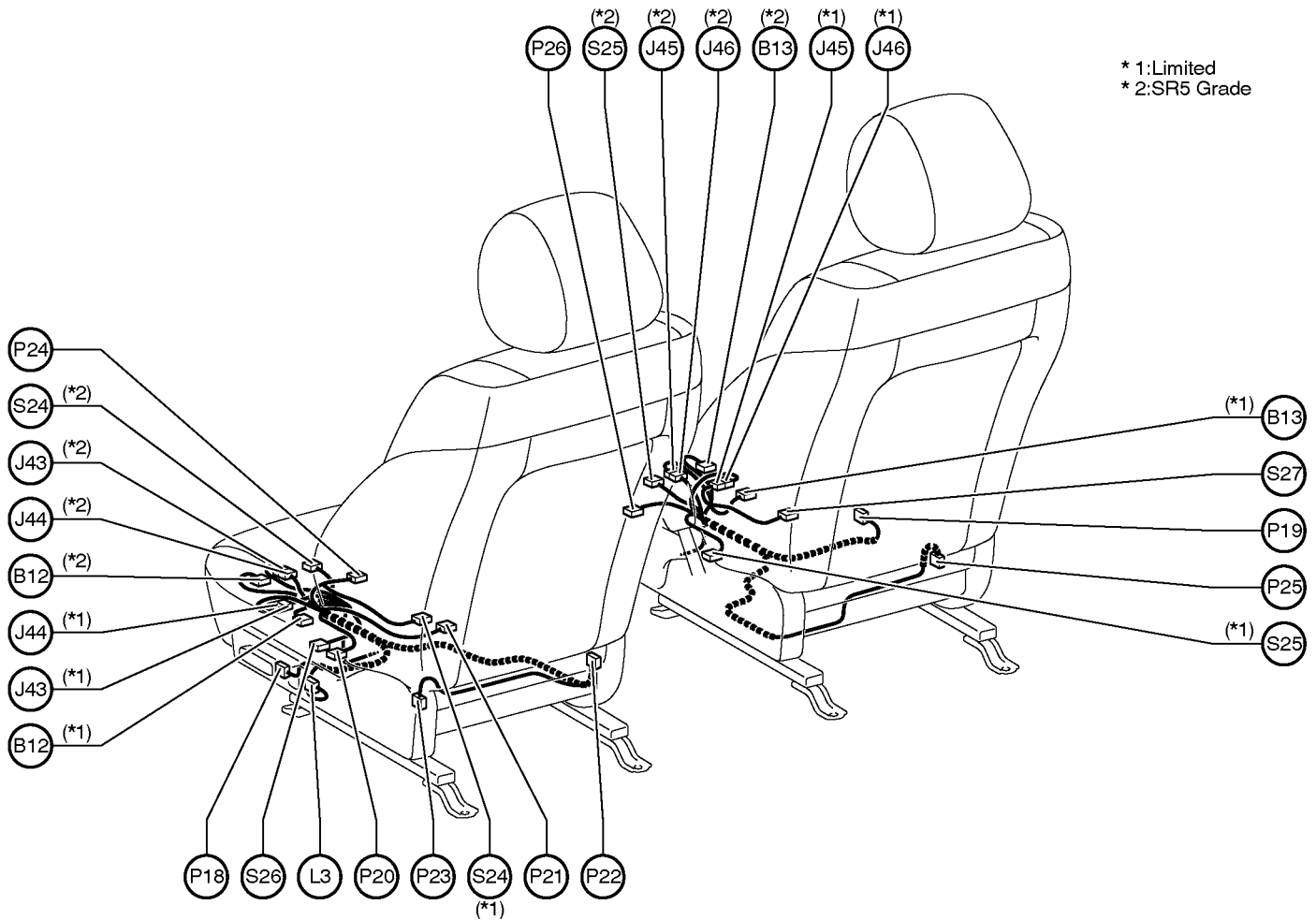
T10 Tailgate Control SW  
T11 Television Camera  
T12 Tension Reducer Solenoid LH  
T13 Tension Reducer Solenoid RH  
T14 Towing Converter Relay  
T15 Trailer Socket

V 6 Vanity Light LH  
V 7 Vanity Light RH  
V 8 Vapor Pressure Sensor  
V 9 Voltage Inverter  
V10 VSV (Canister Closed Valve)

W 4 Woofer

# G ELECTRICAL WIRING ROUTING

## Position of Parts in Seat



\* 1: Limited  
\* 2: SR5 Grade

- B 12 Buckle SW LH  
Seat Position Airbag Sensor
- B 13 Buckle SW RH  
Occupant Detection Sensor

- S 24 Seat Heater LH
- S 25 Seat Heater RH
- S 26 Side Airbag Squib LH
- S 27 Side Airbag Squib RH

- J 43 Junction Connector
- J 44 Junction Connector
- J 45 Junction Connector
- J 46 Junction Connector

L 3 Lumbar Support Control SW (Driver's Seat)

- P 18 Power Seat Control SW (Driver's Seat)
- P 19 Power Seat Control SW (Front Passenger's Seat)
- P 20 Power Seat Motor (Driver's Seat Front Vertical Control)
- P 21 Power Seat Motor (Driver's Seat Lifter Control)
- P 22 Power Seat Motor  
(Driver's Seat Lumbar Support Control)
- P 23 Power Seat Motor (Driver's Seat Reclining Control)
- P 24 Power Seat Motor (Driver's Seat Slide Control)
- P 25 Power Seat Motor  
(Front Passenger's Seat Reclining Control)
- P 26 Power Seat Motor  
(Front Passenger's Seat Slide Control)

