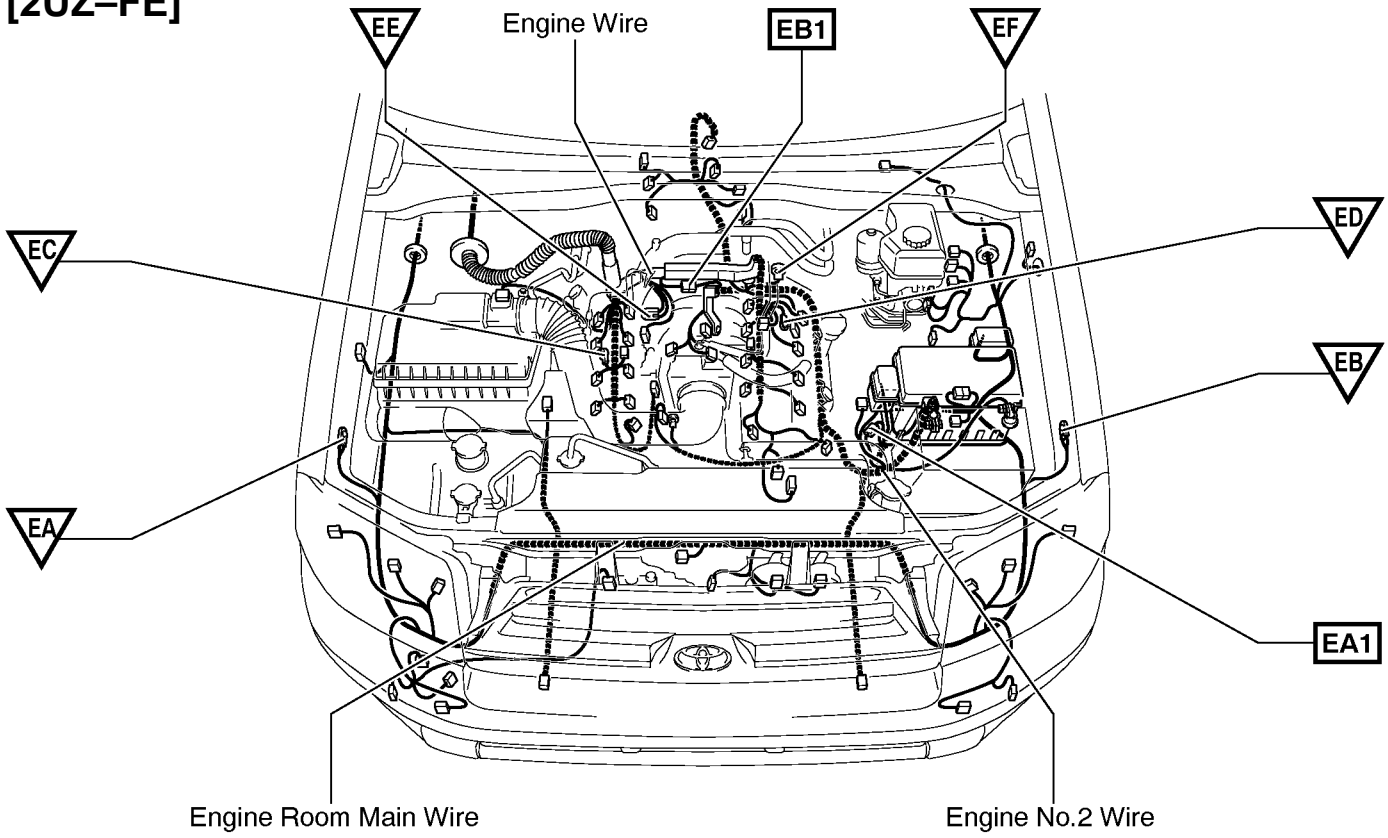


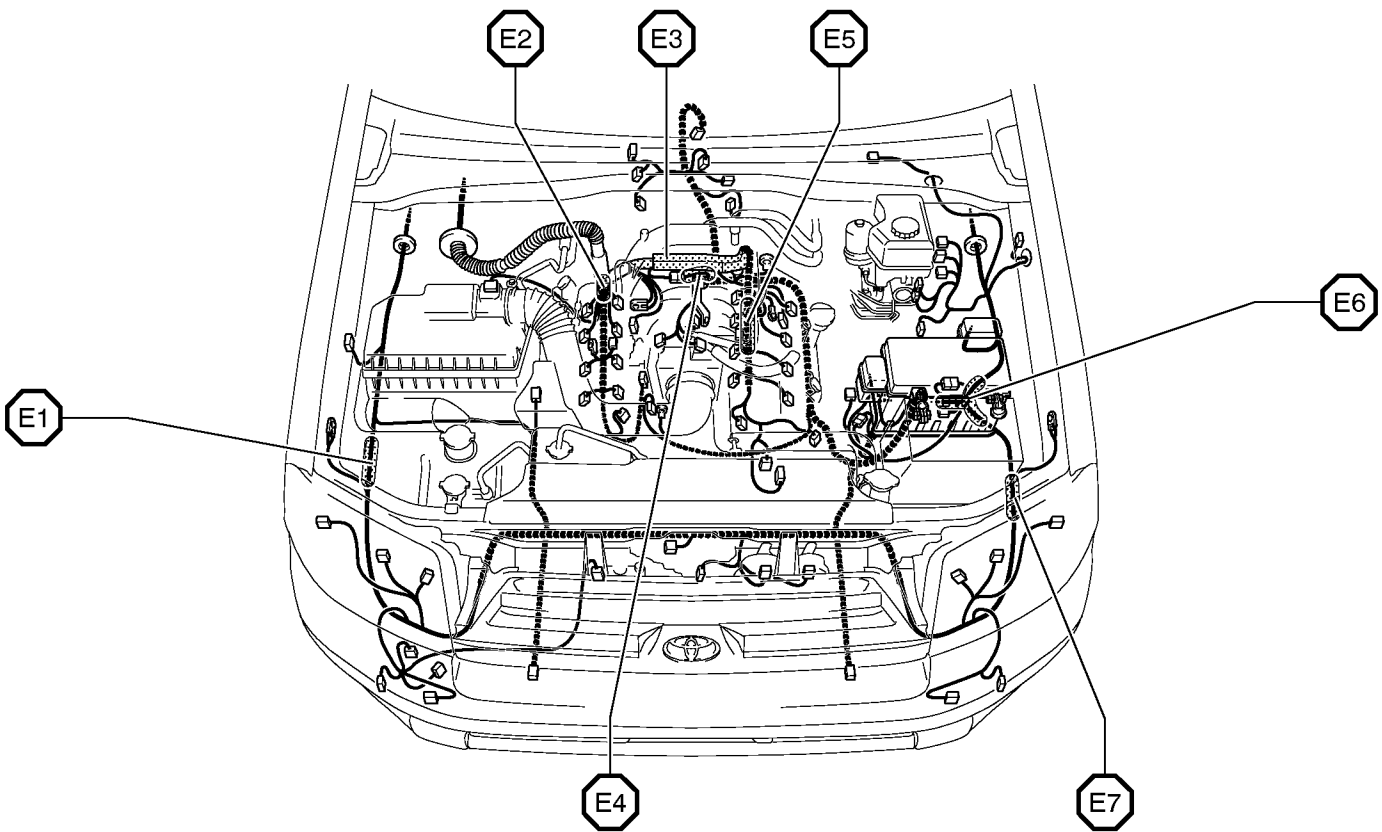
# G ELECTRICAL WIRING ROUTING

□ : Location of Connector Joining Wire Harness and Wire Harness  
 ▽ : Location of Ground Points

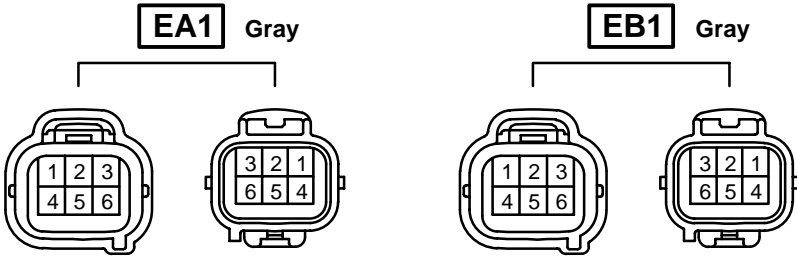
[2UZ-FE]



○ : Location of Splice Points



## Connector Joining Wire Harness and Wire Harness

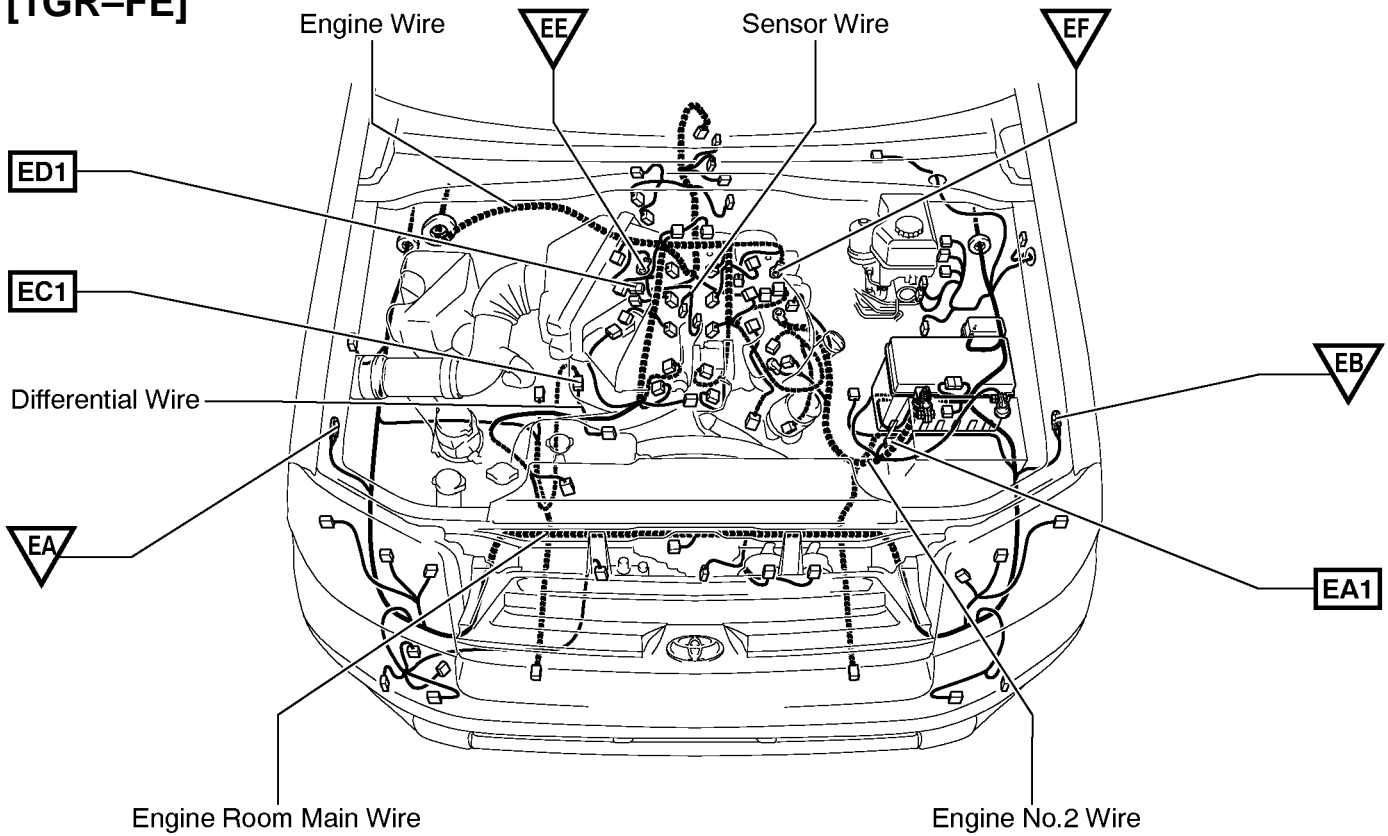


Code	Joining Wire Harness and Wire Harness (Connector Location)
EA1	Engine No.2 Wire and Engine Room Main Wire (Under the Engine Room R/B)
EB1	Engine No.2 Wire and Engine Wire (Near the Starter)

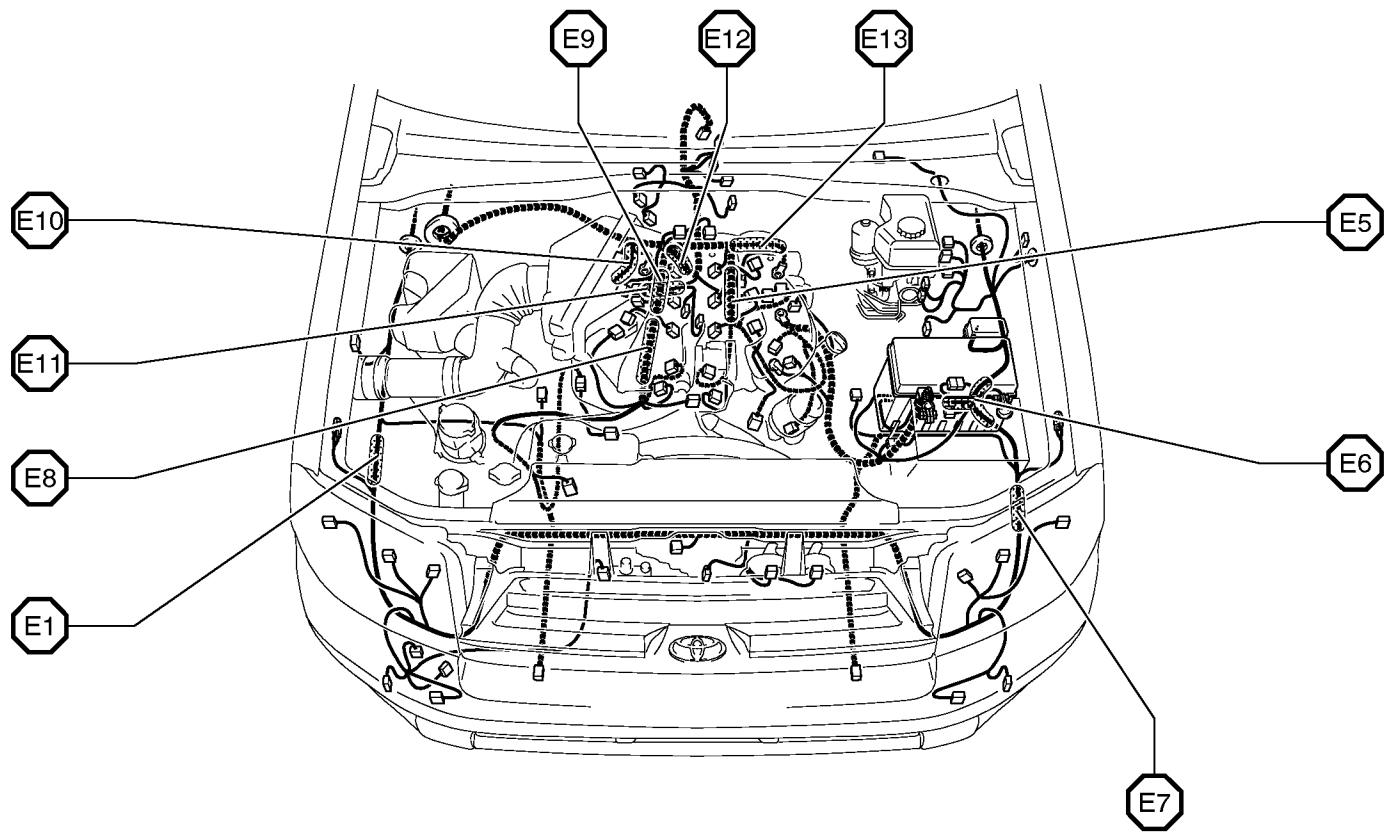
# G ELECTRICAL WIRING ROUTING

□ : Location of Connector Joining Wire Harness and Wire Harness  
 ▽ : Location of Ground Points

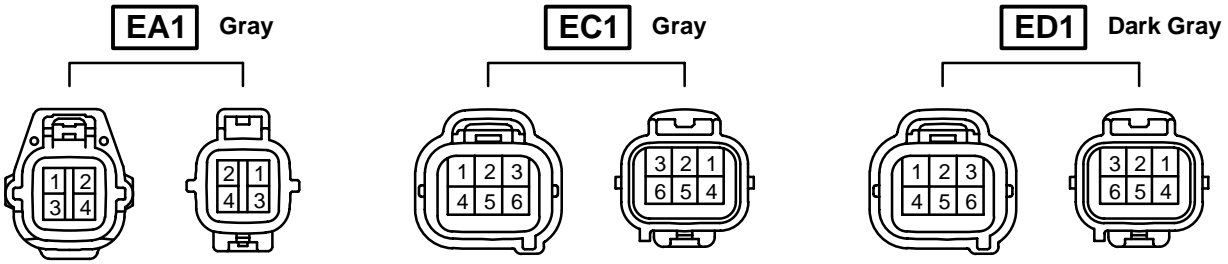
[1GR-FE]



○ : Location of Splice Points



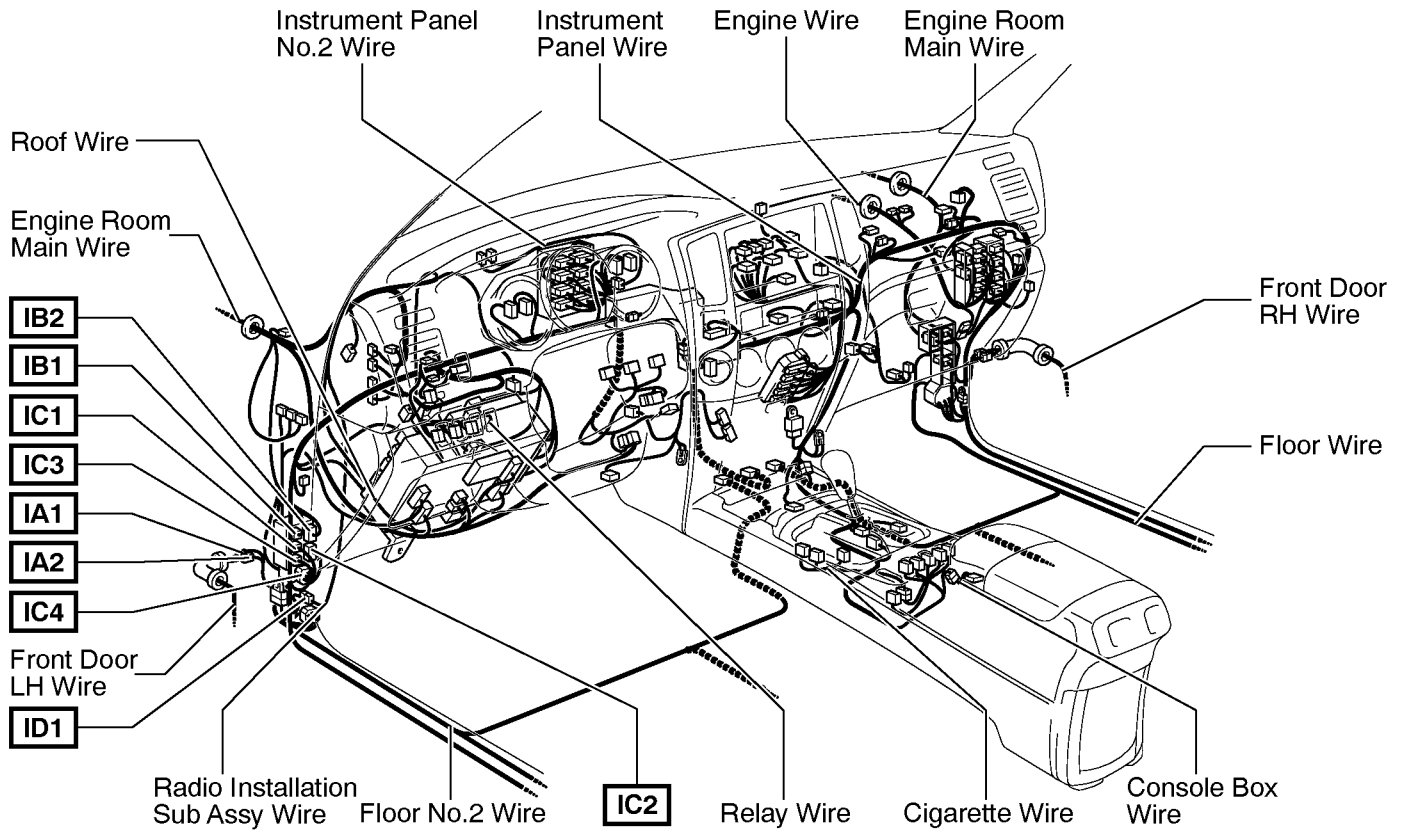
## Connector Joining Wire Harness and Wire Harness



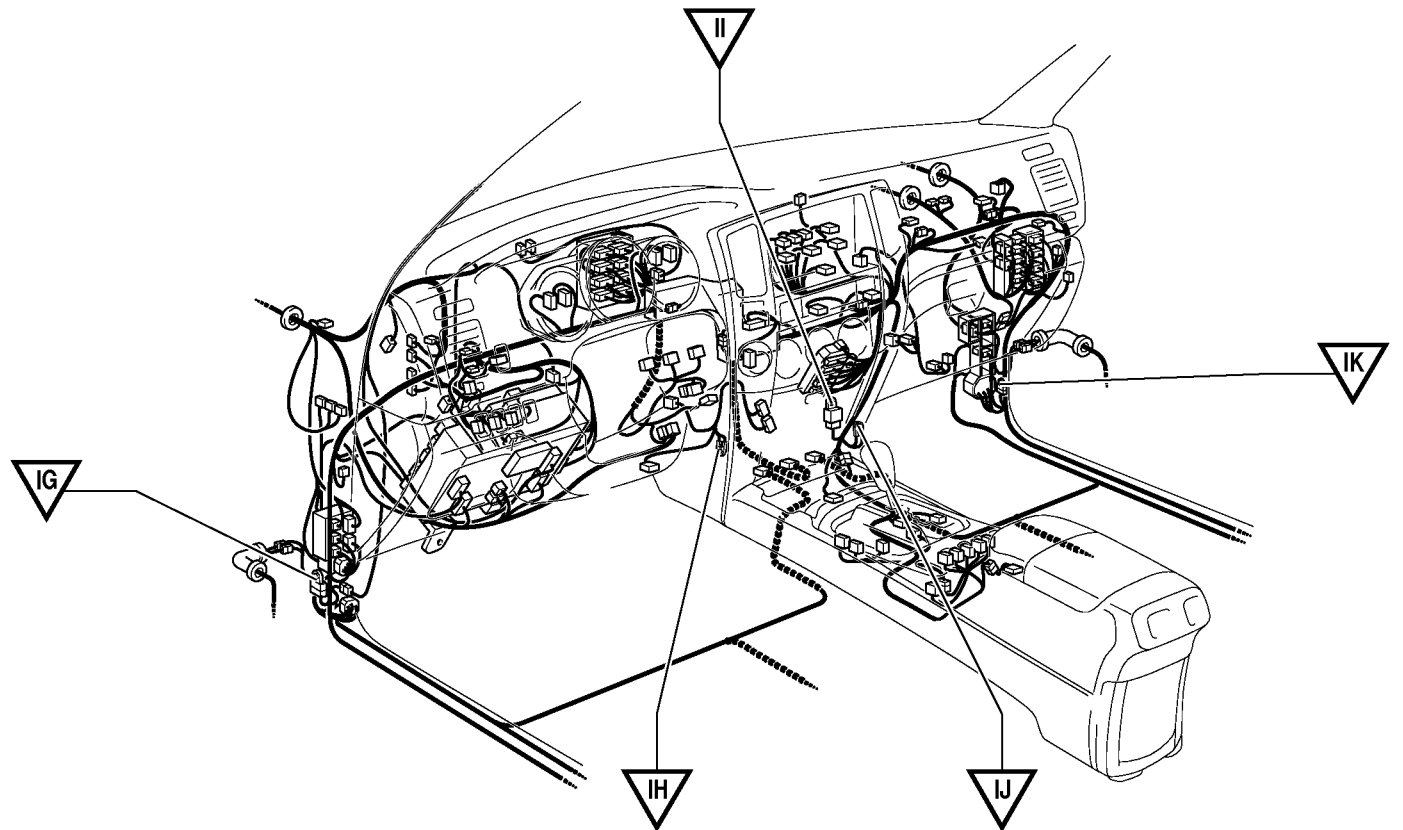
Code	Joining Wire Harness and Wire Harness (Connector Location)
EA1	Engine No.2 Wire and Engine Room Main Wire (Under the Engine Room R/B)
EC1	Engine Wire and Differential Wire (Near the Front Differential)
ED1	Engine Wire and Sensor Wire (Rear Side of Right Bank Cylinder Block)

# G ELECTRICAL WIRING ROUTING

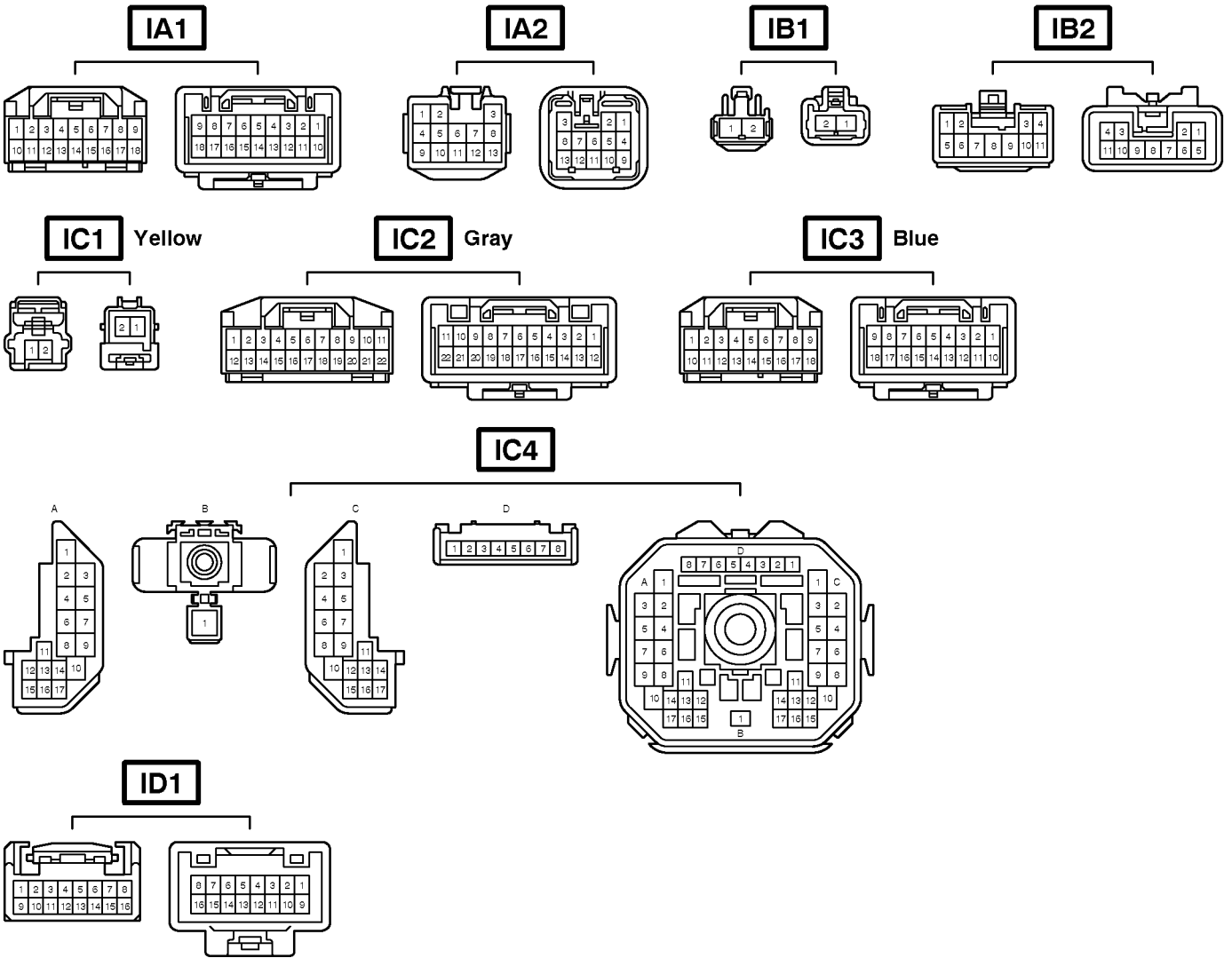
**□ : Location of Connector Joining Wire Harness and Wire Harness**



**▽ : Location of Ground Points**



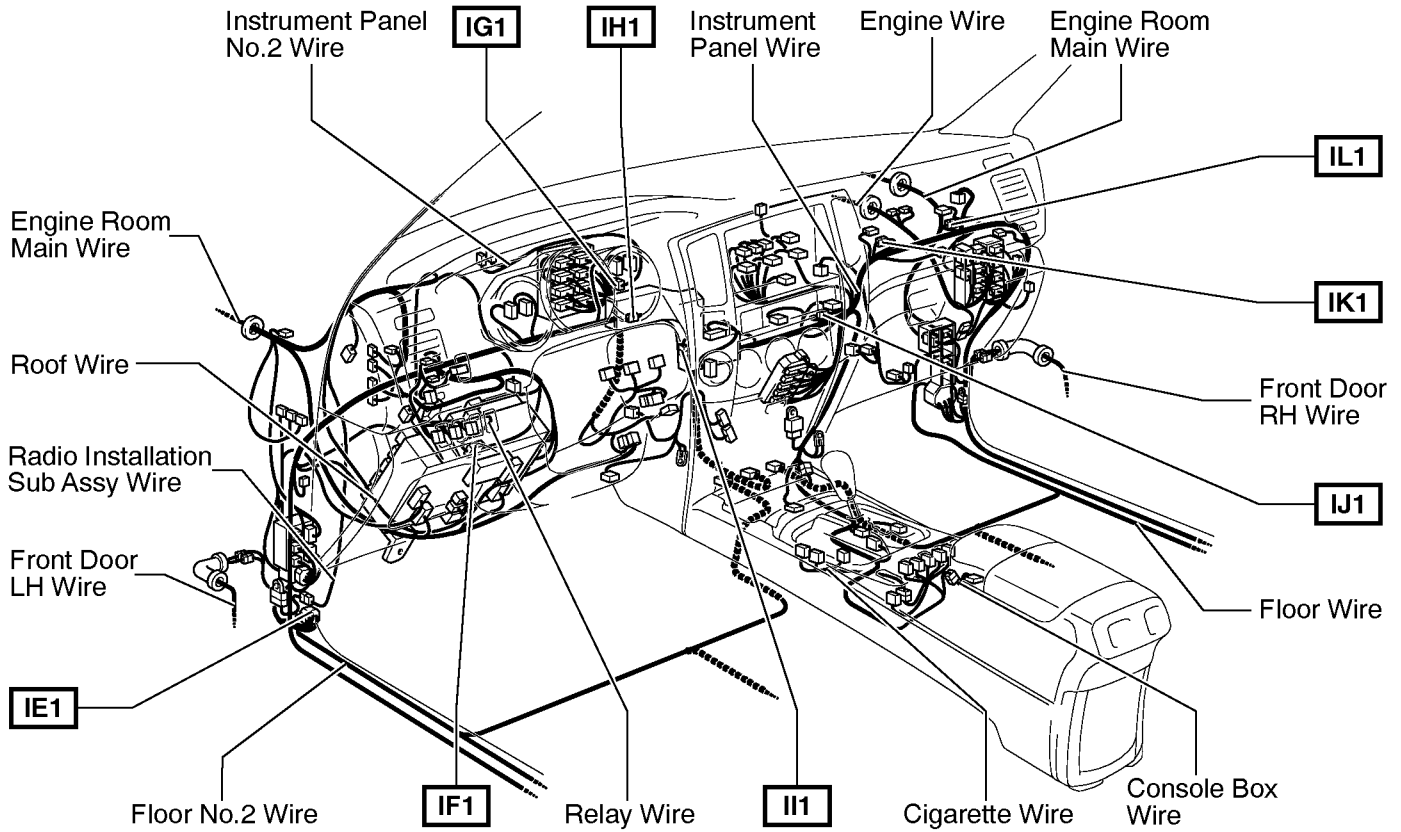
# Connector Joining Wire Harness and Wire Harness



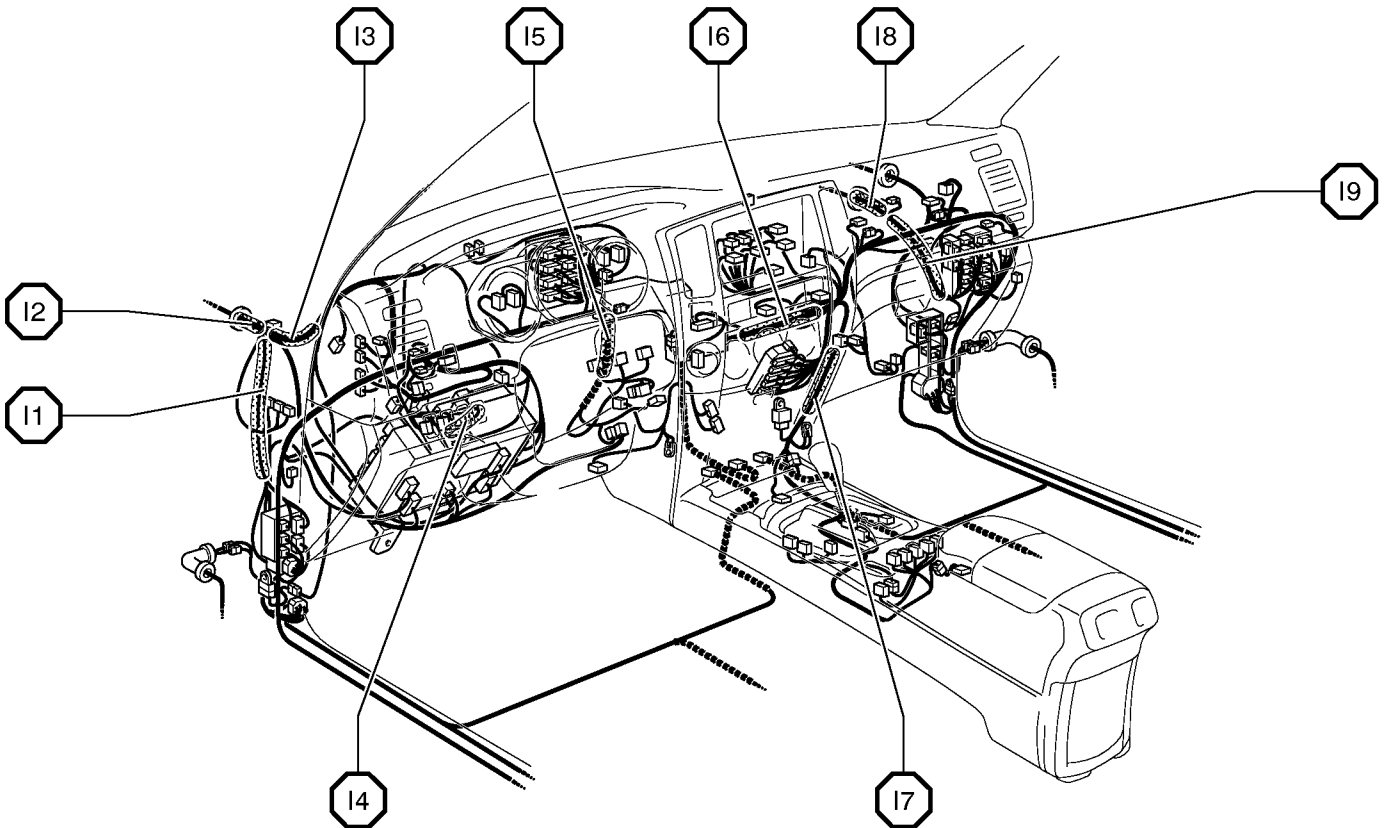
Code	Joining Wire Harness and Wire Harness (Connector Location)
IA1	Front Door LH Wire and Instrument Panel Wire (Left Kick Panel)
IA2	Front Door LH Wire and Instrument Panel Wire (Left Kick Panel)
IB1	Floor No.2 Wire and Engine Room Main Wire (Left Kick Panel)
IB2	Floor No.2 Wire and Engine Room Main Wire (Left Kick Panel)
IC1	
IC2	Instrument Panel Wire and Engine Room Main Wire (Left Kick Panel)
IC3	Instrument Panel Wire and Engine Room Main Wire (Left Kick Panel)
IC4	
ID1	Radio Installation Sub Assy Wire and Instrument Panel Wire (Left Kick Panel)

# G ELECTRICAL WIRING ROUTING

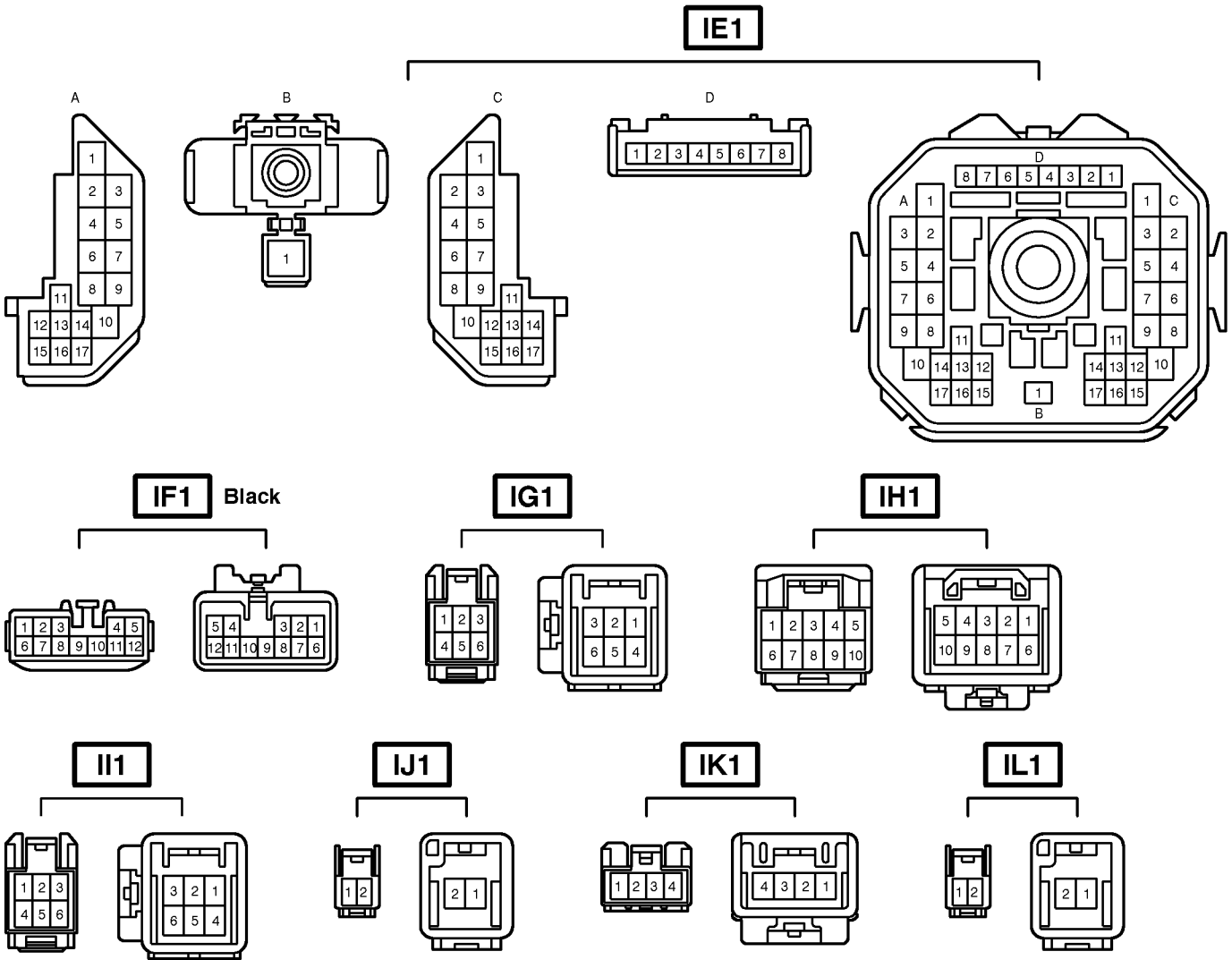
**□ : Location of Connector Joining Wire Harness and Wire Harness**



**○ : Location of Splice Points**



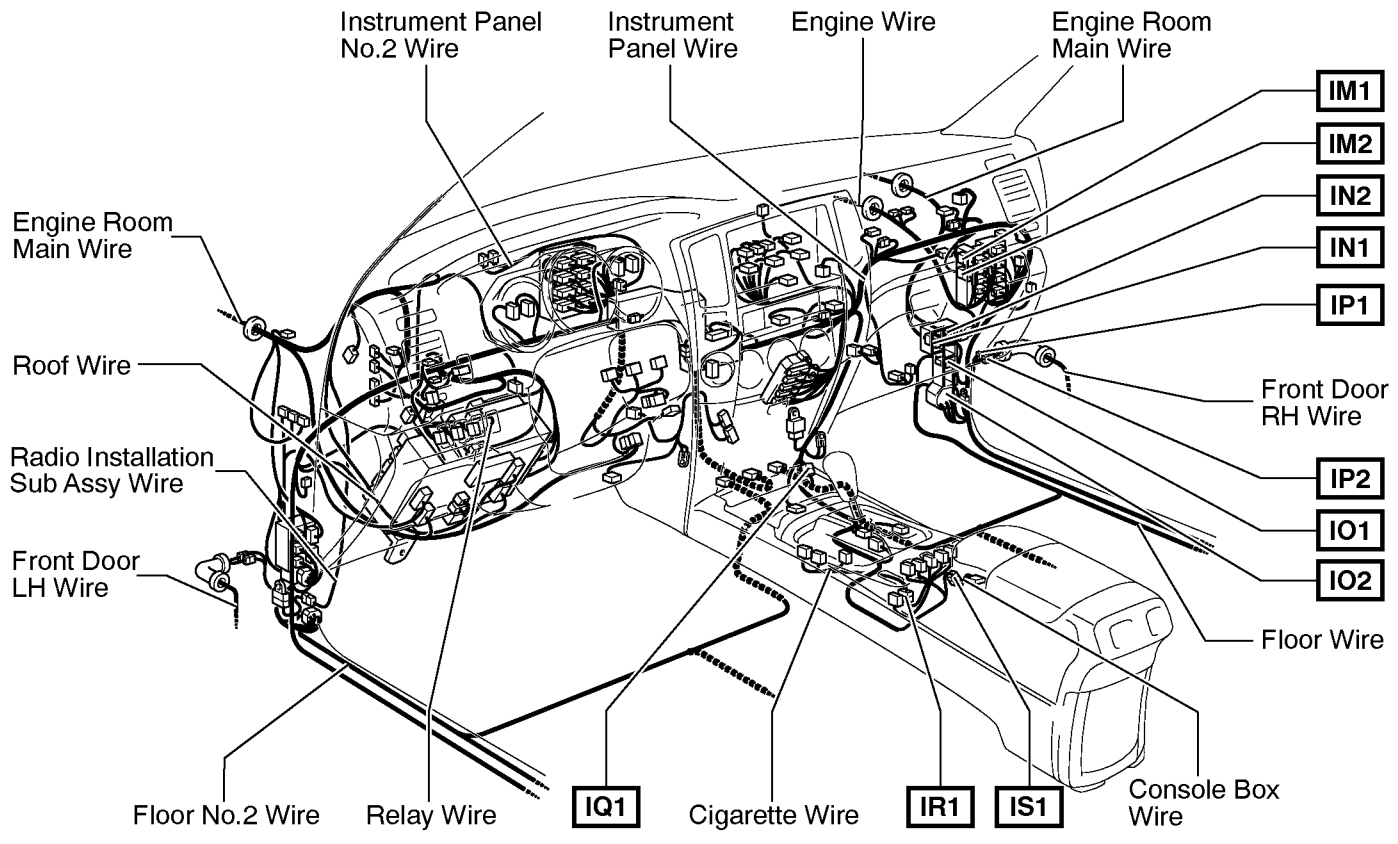
# Connector Joining Wire Harness and Wire Harness



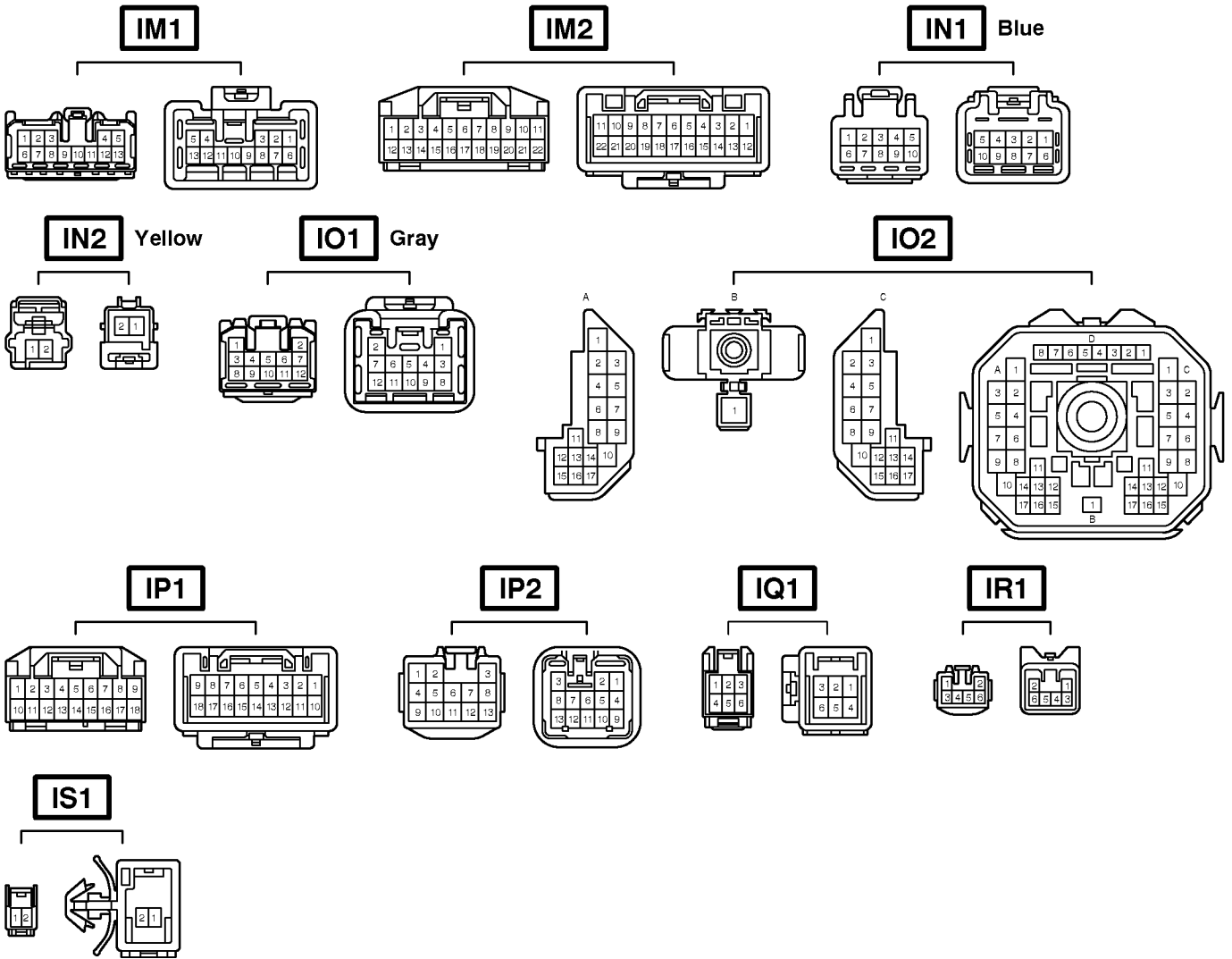
Code	Joining Wire Harness and Wire Harness (Connector Location)
IE1	Instrument Panel Wire and Floor No.2 Wire (Left Kick Panel)
IF1	Instrument Panel Wire and Relay Wire (Behind the Instrument Panel J/B)
IG1	Instrument Panel No.2 Wire and Instrument Panel Wire (Behind the Combination Meter)
IH1	Instrument Panel Wire and Instrument Panel Wire (Behind the Combination Meter)
II1	Instrument Panel Wire and Instrument Panel Wire (Instrument Panel Brace LH)
IJ1	Instrument Panel Wire and Instrument Panel Wire (Instrument Panel Brace RH)
IK1	Instrument Panel Wire and Instrument Panel Wire (Left Upper Side of the Glove Box)
IL1	Instrument Panel Wire and Instrument Panel Wire (Right Upper Side of the Glove Box)

# G ELECTRICAL WIRING ROUTING

**□** : Location of Connector Joining Wire Harness and Wire Harness



# Connector Joining Wire Harness and Wire Harness

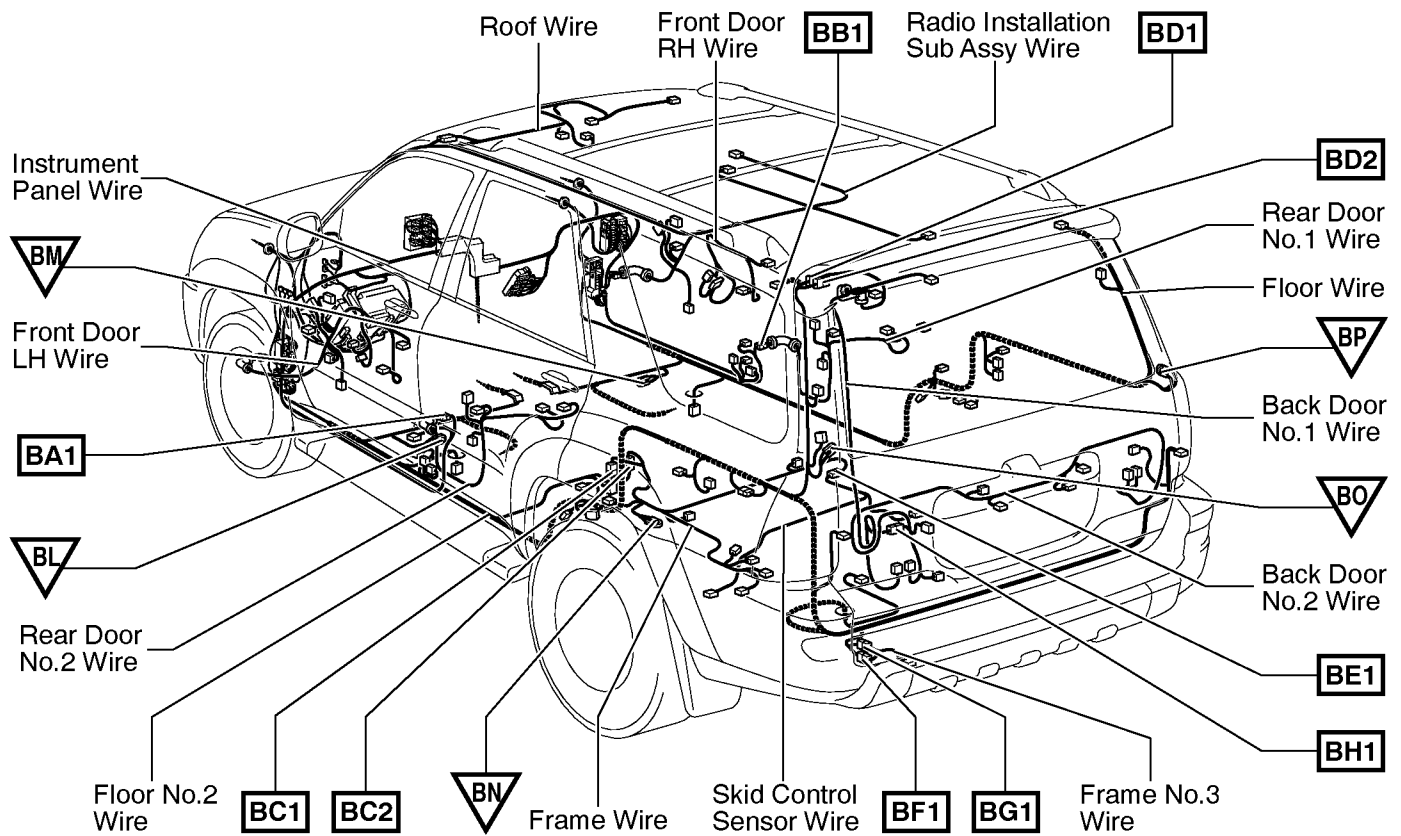


Code	Joining Wire Harness and Wire Harness (Connector Location)
IM1	Engine Wire and Instrument Panel Wire (Right Side of Blower Unit)
IN1	Instrument Panel Wire and Engine Room Main Wire (Right Kick Panel)
IN2	Instrument Panel Wire and Engine Room Main Wire (Right Kick Panel)
IO1	Instrument Panel Wire and Floor Wire (Right Kick Panel)
IO2	Instrument Panel Wire and Floor Wire (Right Kick Panel)
IP1	Front Door RH Wire and Instrument Panel Wire (Right Kick Panel)
IP2	Front Door RH Wire and Instrument Panel Wire (Right Kick Panel)
IQ1	Floor Wire and Instrument Panel Wire (Instrument Panel Brace RH)
IR1	Instrument Panel Wire and Cigarette Wire (Rear Console)
IS1	Instrument Panel Wire and Console Box Wire (Rear Console)

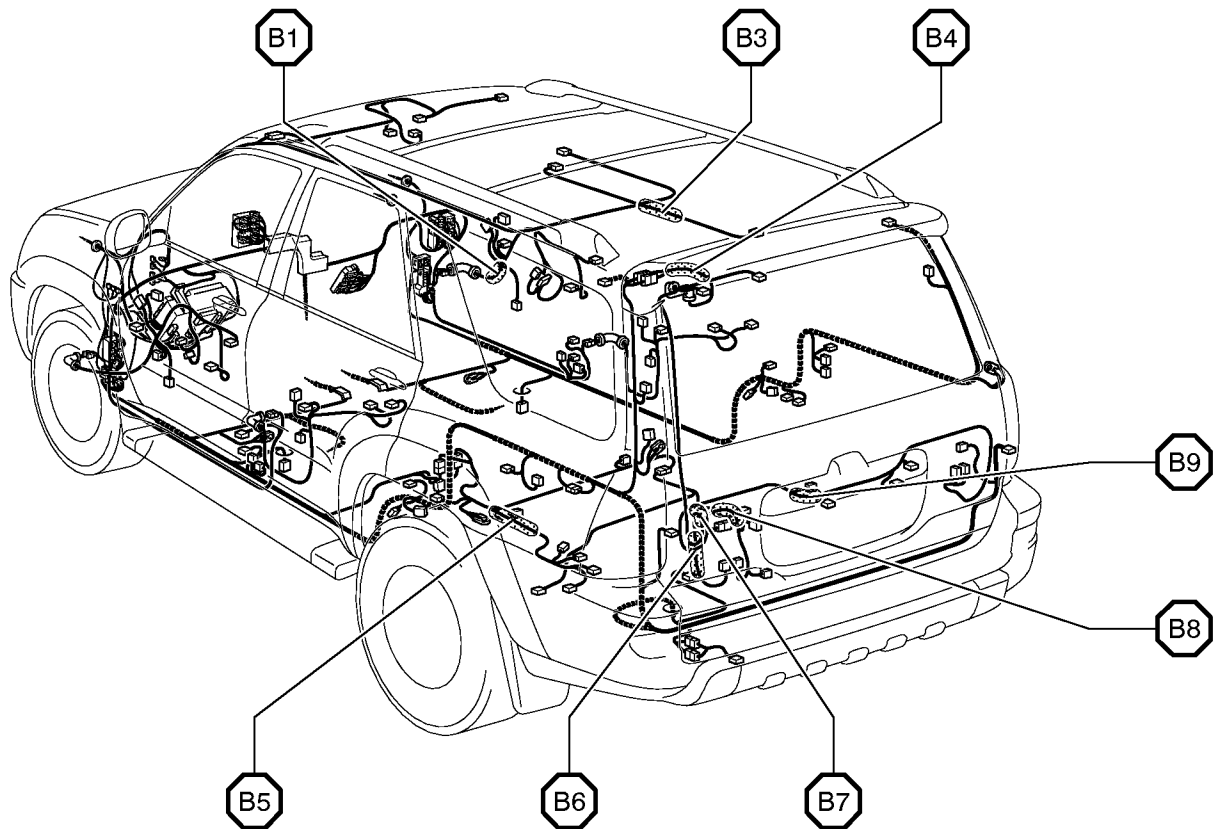
# G ELECTRICAL WIRING ROUTING

□ : Location of Connector Joining Wire Harness and Wire Harness

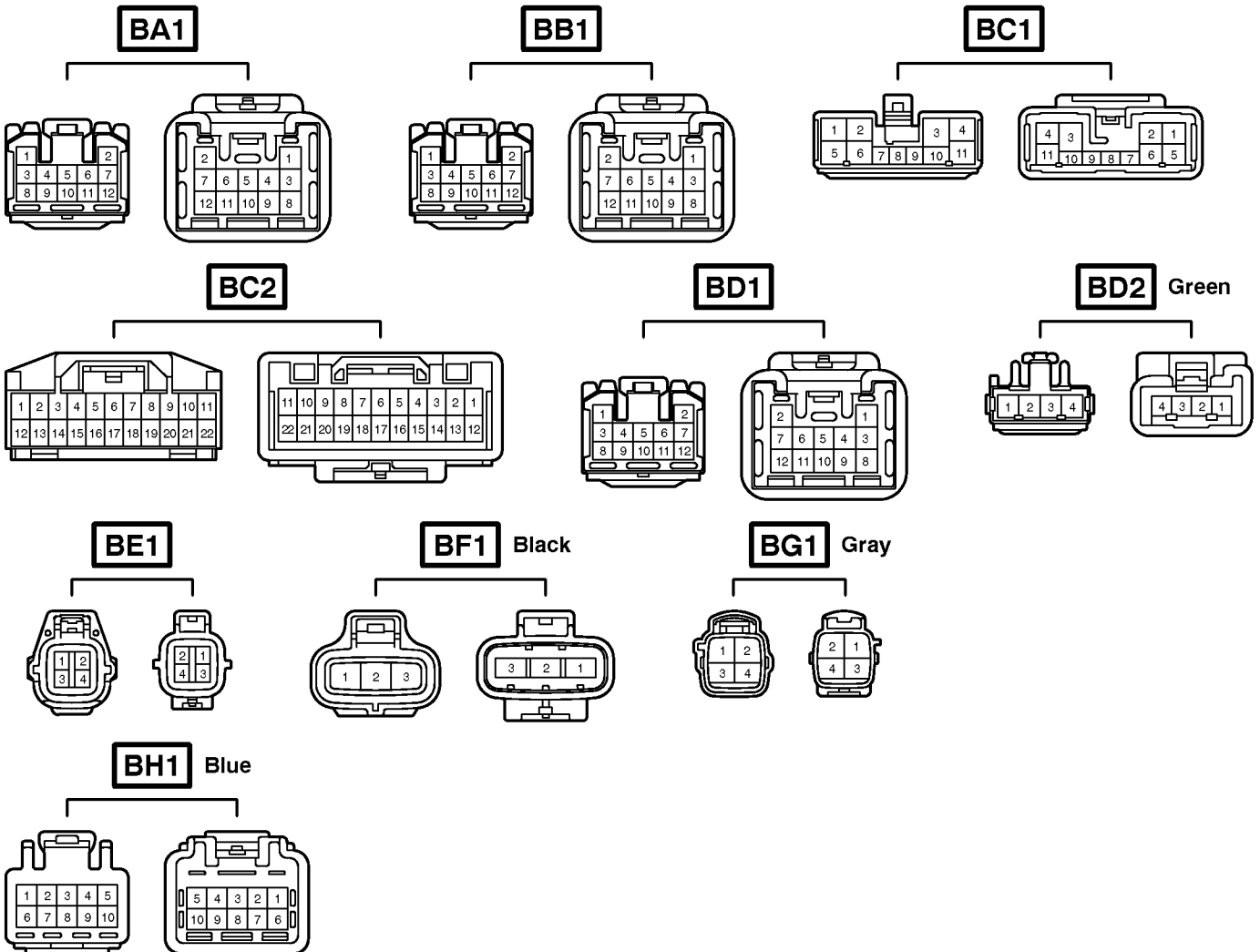
▽ : Location of Ground Points



○ : Location of Splice Points



## Connector Joining Wire Harness and Wire Harness



Code	Joining Wire Harness and Wire Harness (Connector Location)
BA1	Rear Door No.2 Wire and Instrument Panel Wire (Left Center Pillar)
BB1	Rear Door No.1 Wire and Instrument Panel Wire (Right Center Pillar)
BC1	Frame Wire and Floor No.2 Wire (Under the Rear LH Seat)
BC2	
BD1	Back Door No.1 Wire and Floor No.2 Wire (Left Rear Side of Roof)
BD2	
BE1	Frame Wire and Skid Control Sensor Wire (Right Side of No.5 Crossmember)
BF1	Frame No.3 Wire and Floor No.2 Wire (Rear Side of Side Frame LH)
BG1	Floor No.2 Wire and Frame No.3 Wire (Rear Side of Side Frame LH)
BH1	Back Door No.1 Wire and Back Door No.2 Wire (Left Side of Back Door)