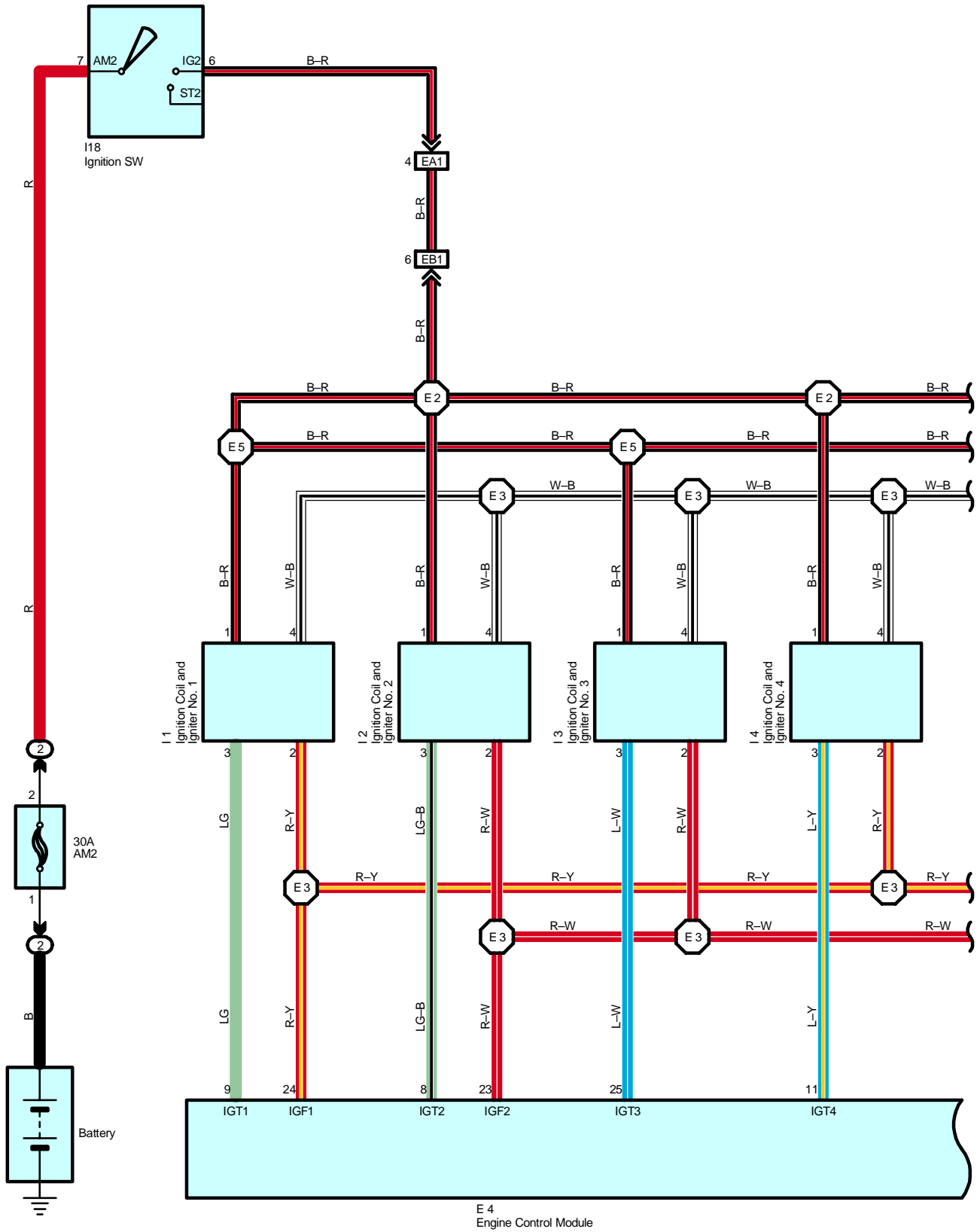
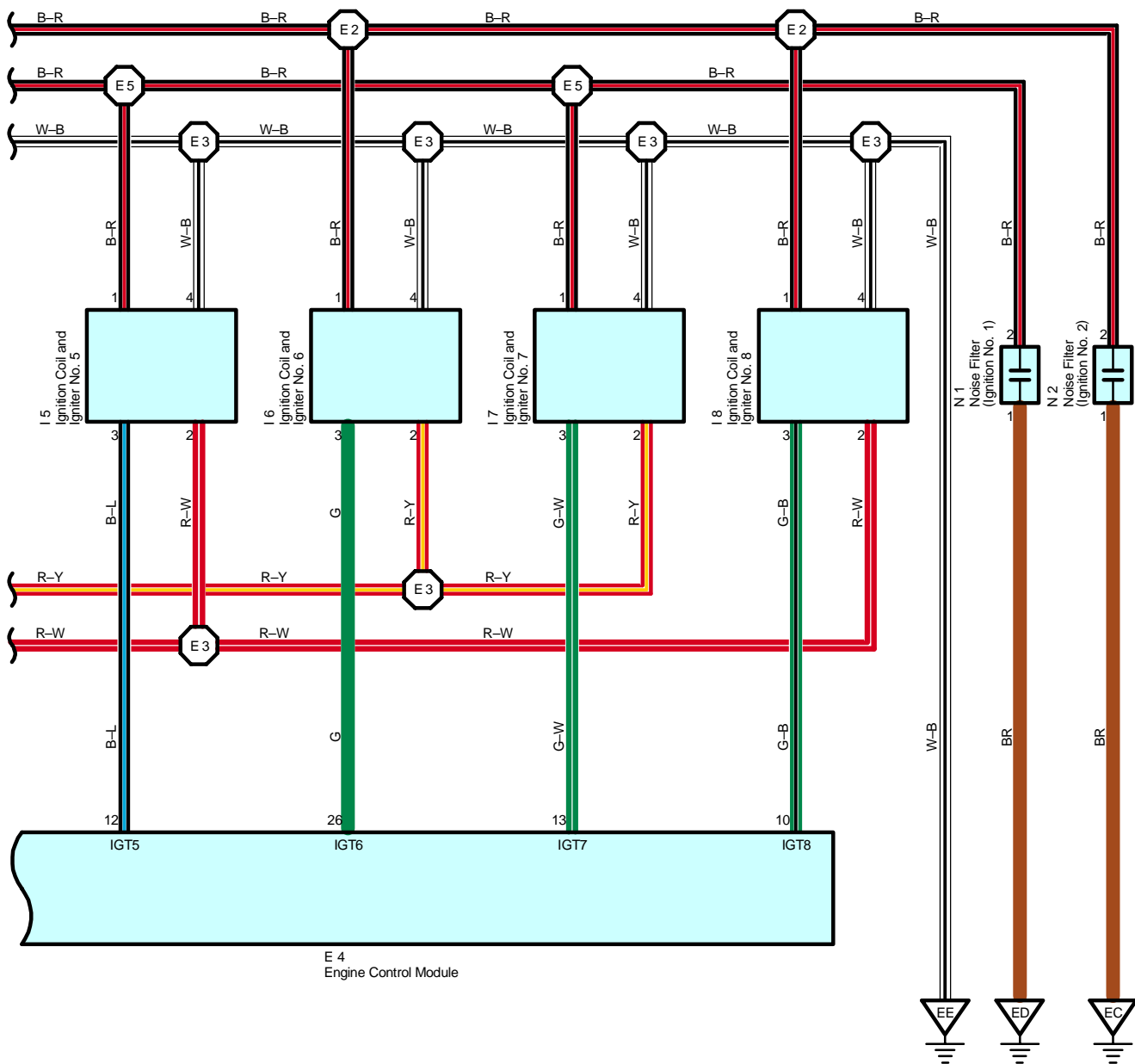


# Ignition (2UZ-FE)





# Ignition (2UZ-FE)

## Service Hints

### I18 Ignition SW

7-6 : Closed with the ignition SW at ON or ST position

### ○ : Parts Location

Code	See Page	Code	See Page	Code	See Page
E4	37	I4	33 (2UZ-FE)	I8	33 (2UZ-FE)
I1	33 (2UZ-FE)	I5	33 (2UZ-FE)	I18	37
I2	33 (2UZ-FE)	I6	33 (2UZ-FE)	N1	33 (2UZ-FE)
I3	33 (2UZ-FE)	I7	33 (2UZ-FE)	N2	33 (2UZ-FE)

### ○ : Relay Blocks

Code	See Page	Relay Blocks (Relay Block Location)
2	22	Engine Room R/B (Engine Compartment Left)

### □ : Connector Joining Wire Harness and Wire Harness

Code	See Page	Joining Wire Harness and Wire Harness (Connector Location)
EA1	44 (2UZ-FE)	Engine No.2 Wire and Engine Room Main Wire (Under the Engine Room R/B)
EB1	44 (2UZ-FE)	Engine No.2 Wire and Engine Wire (Near the Starter)

### ▽ : Ground Points

Code	See Page	Ground Points Location
EC	44 (2UZ-FE)	Right Bank Cylinder Head
ED	44 (2UZ-FE)	Left Bank Cylinder Head
EE	44 (2UZ-FE)	Rear Side of Right Bank Cylinder Block

### ○ : Splice Points

Code	See Page	Wire Harness with Splice Points	Code	See Page	Wire Harness with Splice Points
E2	44 (2UZ-FE)	Engine Wire	E5	44 (2UZ-FE)	Engine Wire
E3					

