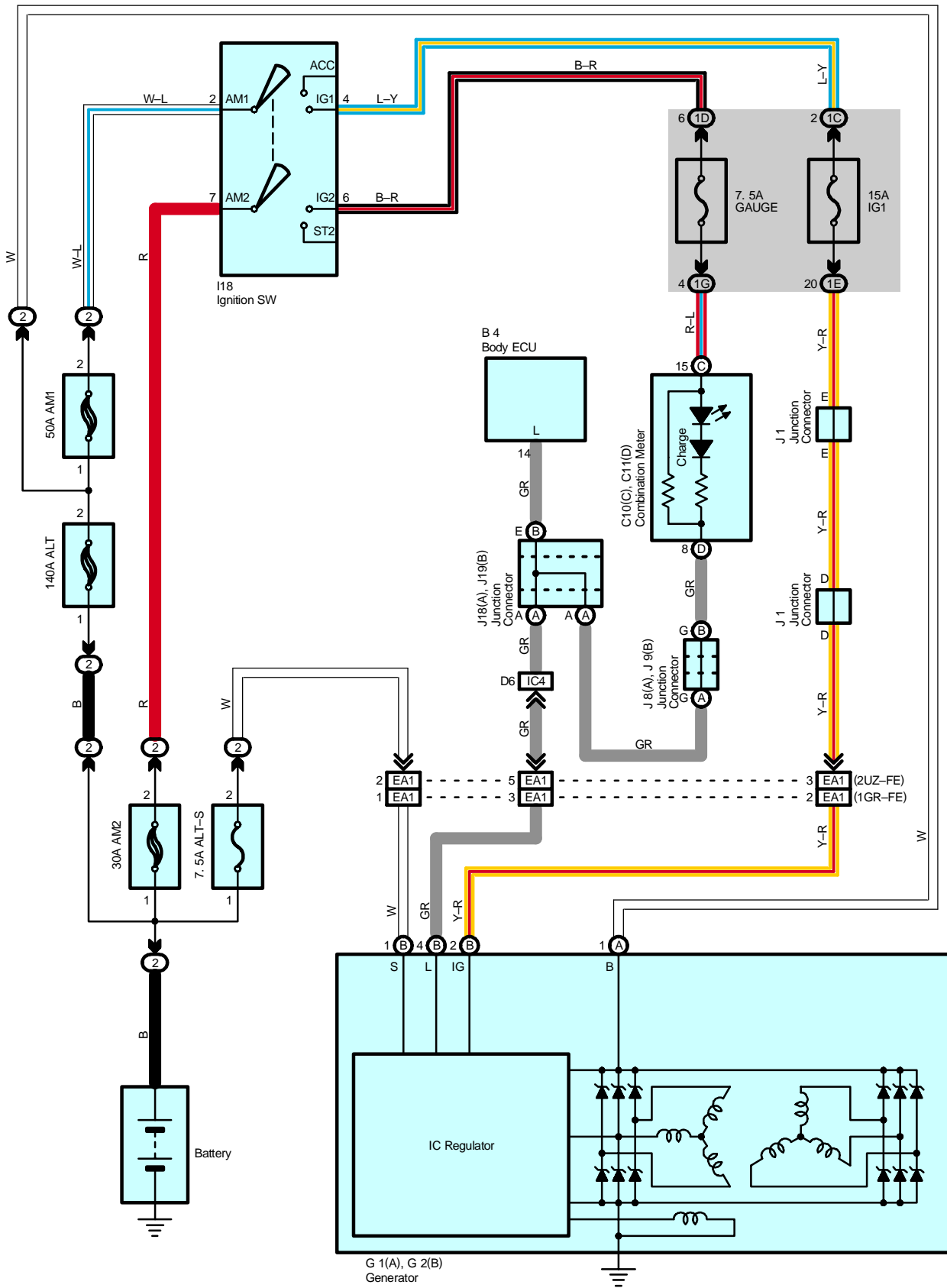


# Charging



## Service Hints

### G2 (B) Generator

- (B) 1–Ground : 13.2–14.0 volts with the engine running at 5000 rpm and 115°C (239°F)  
 (B) 4–Ground : 0–4 volts with the ignition SW at ON position and the engine not running

### : Parts Location

Code		See Page	Code		See Page	Code		See Page
B4		36	G2	B	32 (2UZ–FE)	J8	A	38
C10	C	37			34 (1GR–FE)	J9	B	38
C11	D	37	I18		37	J18	A	38
G1	A	32 (2UZ–FE)	J1	33 (2UZ–FE)	J19	B	38	
		34 (1GR–FE)		35 (1GR–FE)				

### : Relay Blocks

Code	See Page	Relay Blocks (Relay Block Location)
2	22	Engine Room R/B (Engine Compartment Left)

### : Junction Block and Wire Harness Connector

Code	See Page	Junction Block and Wire Harness (Connector Location)
1C	24	Engine Room Main Wire and Driver Side J/B (Lower Finish Panel)
1D		
1E		
1G	25	Instrument Panel Wire and Driver Side J/B (Lower Finish Panel)

### : Connector Joining Wire Harness and Wire Harness

Code	See Page	Joining Wire Harness and Wire Harness (Connector Location)
EA1	44 (2UZ–FE)	Engine No.2 Wire and Engine Room Main Wire (Under the Engine Room R/B)
	46 (1GR–FE)	
IC4	48	Instrument Panel Wire and Engine Room Main Wire (Left Kick Panel)