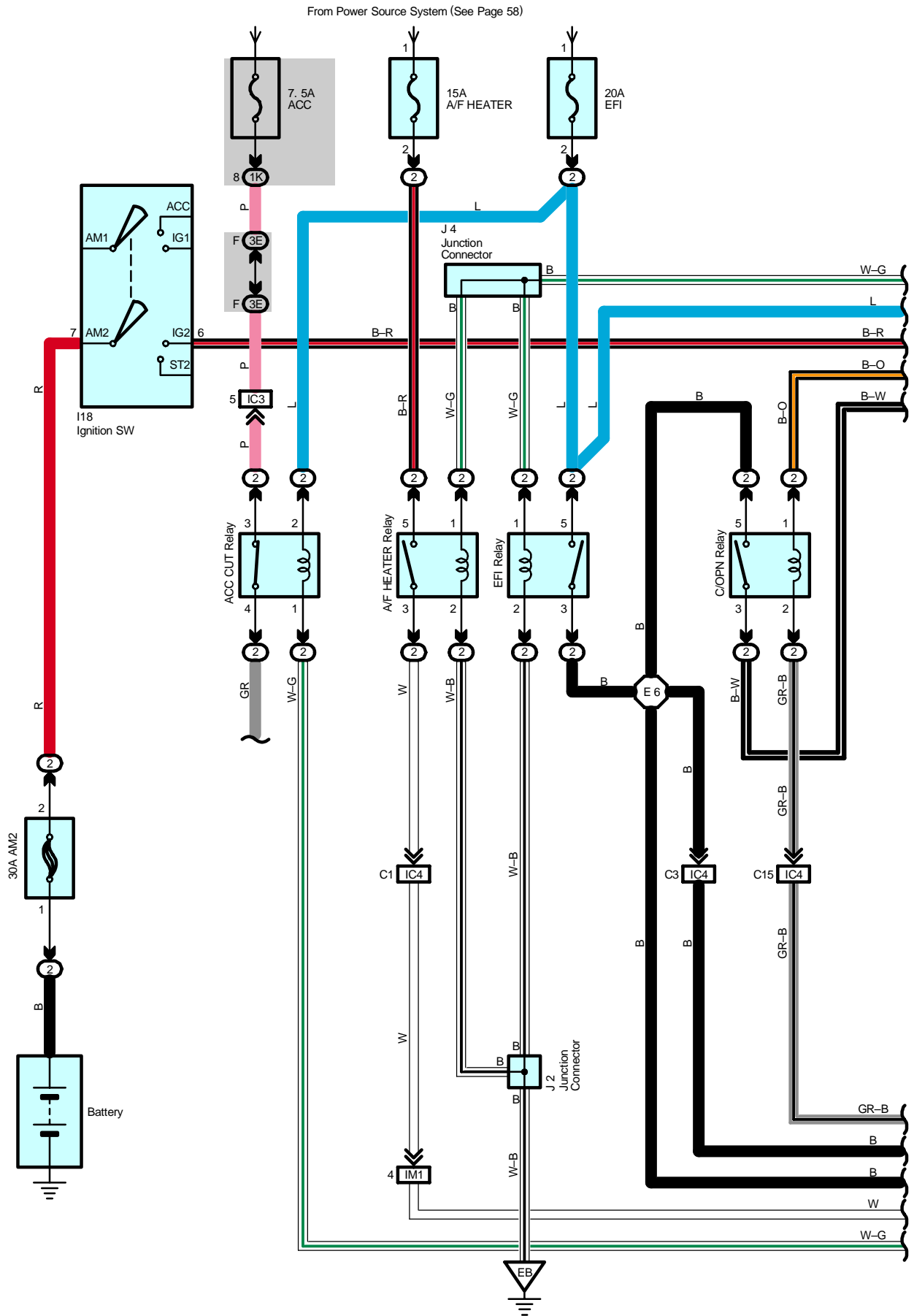
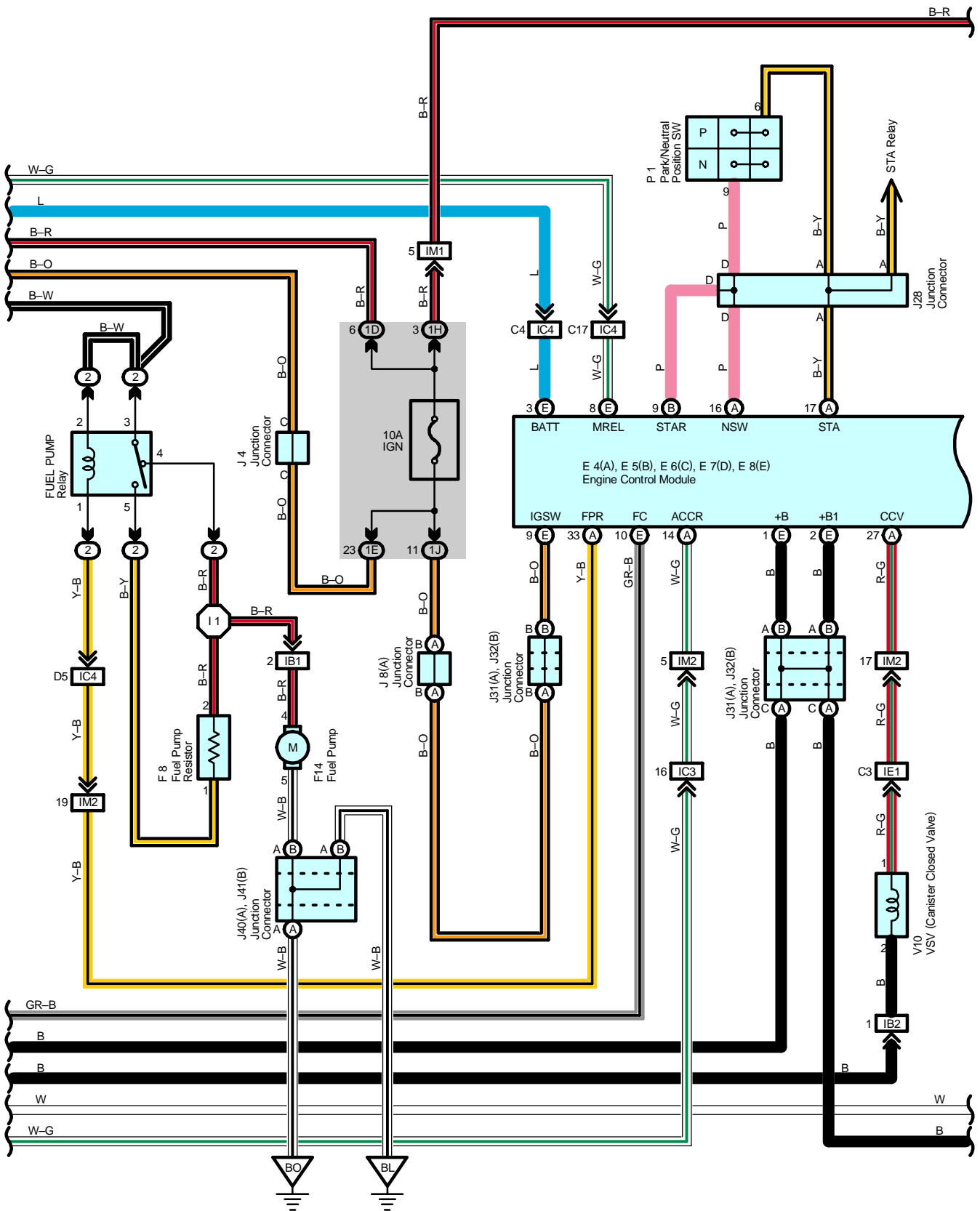


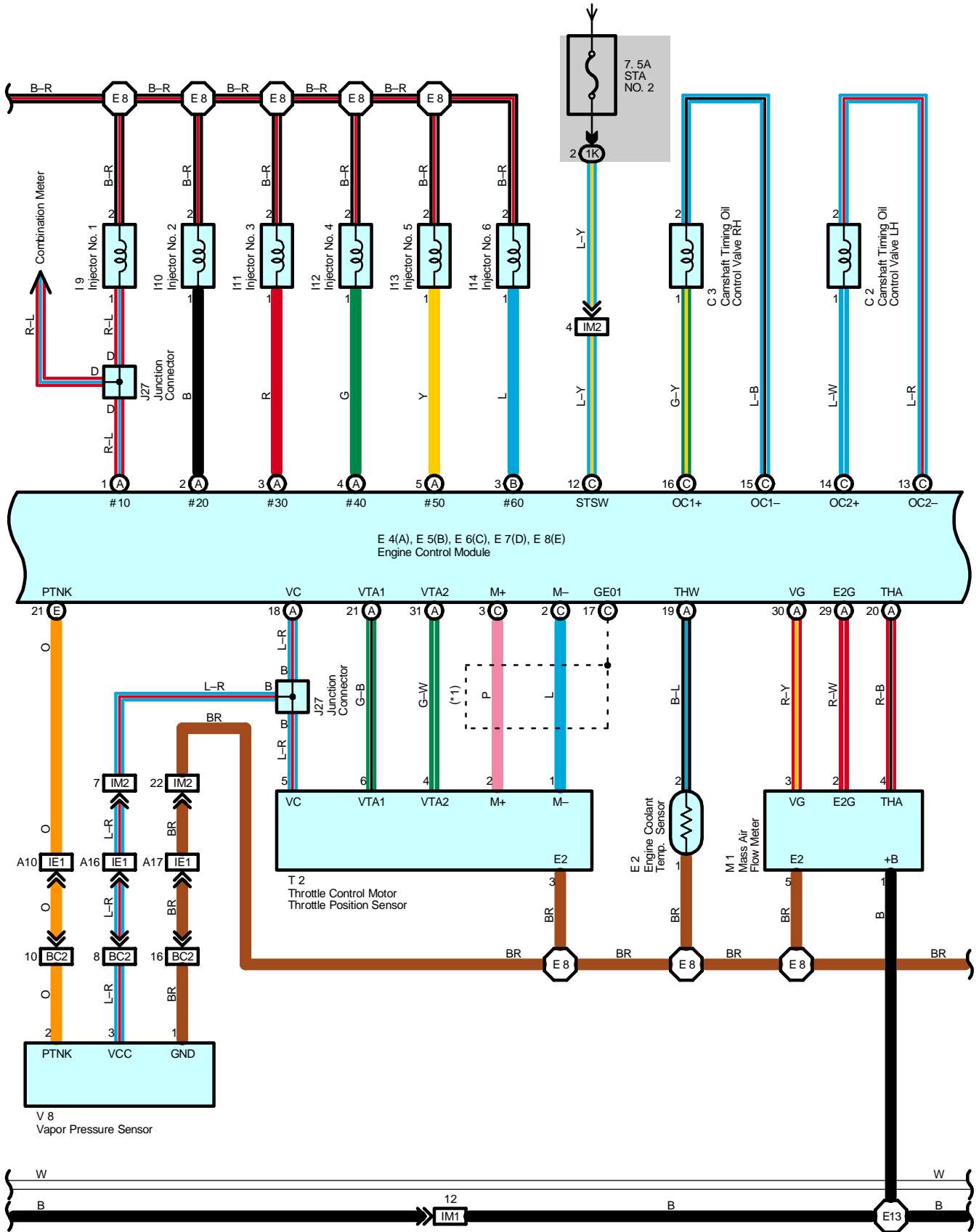
Engine Control (1GR-FE)



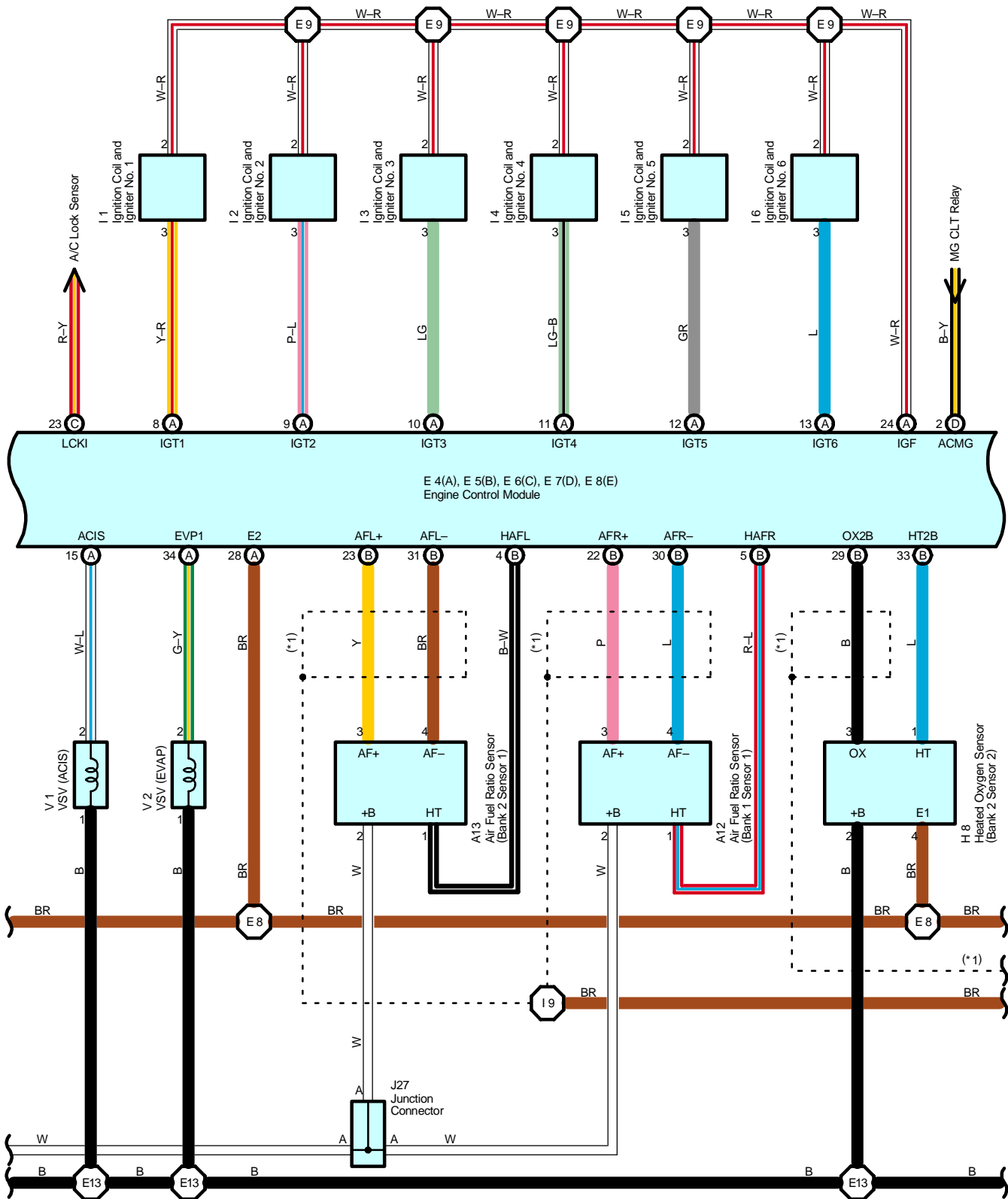


Engine Control (1GR-FE)

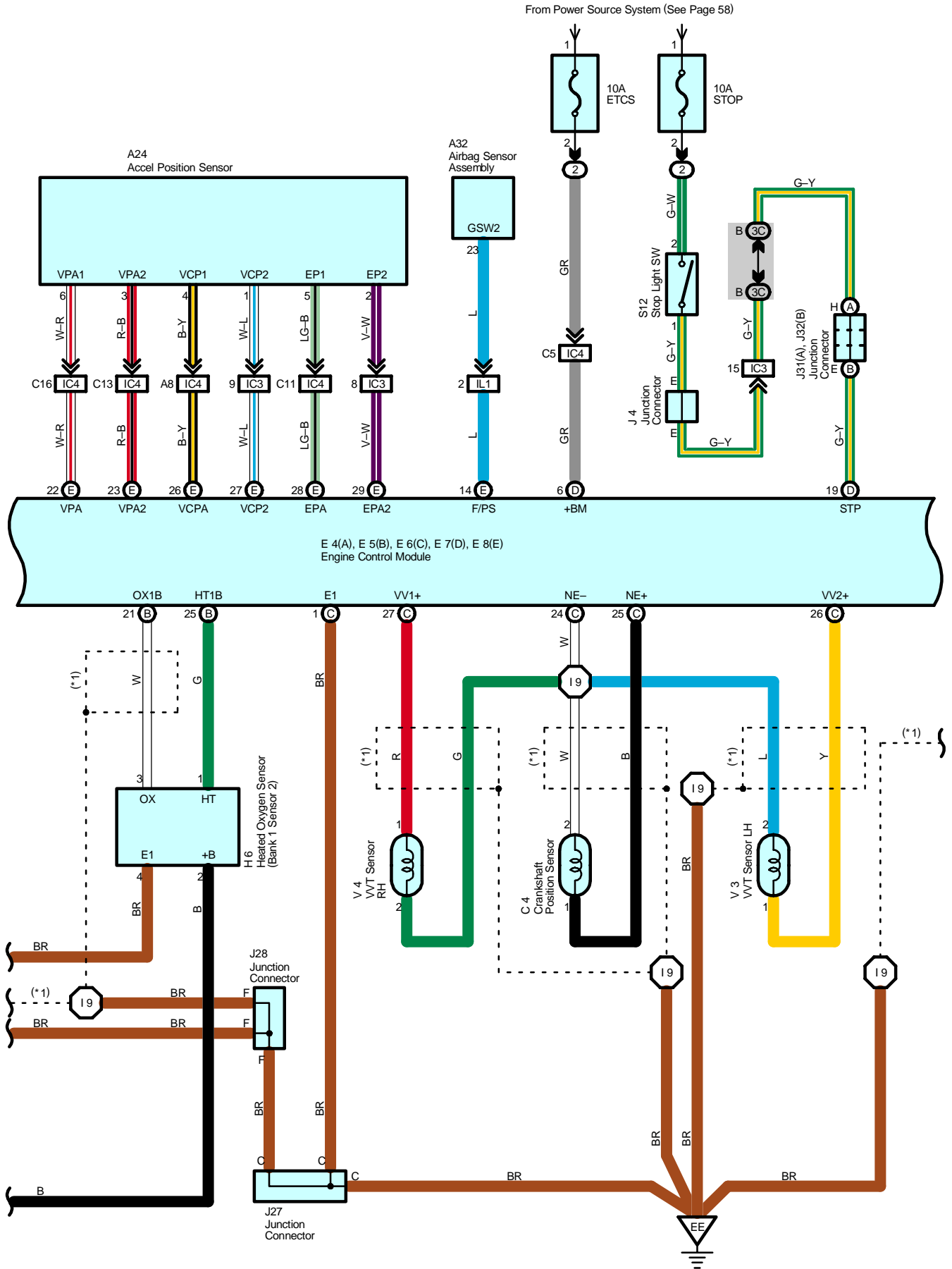
From Power Source System (See Page 58)

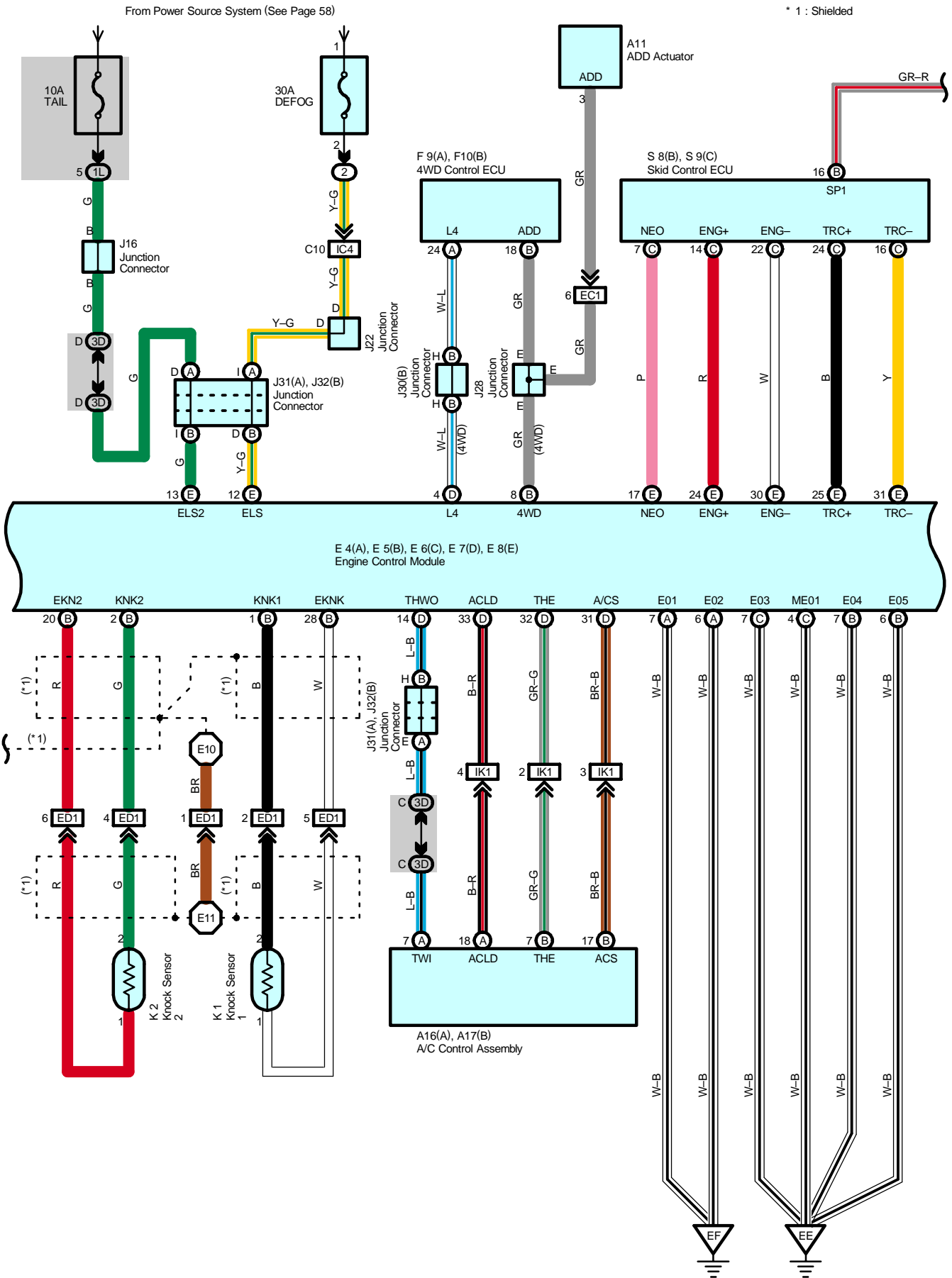


* 1 : Shielded



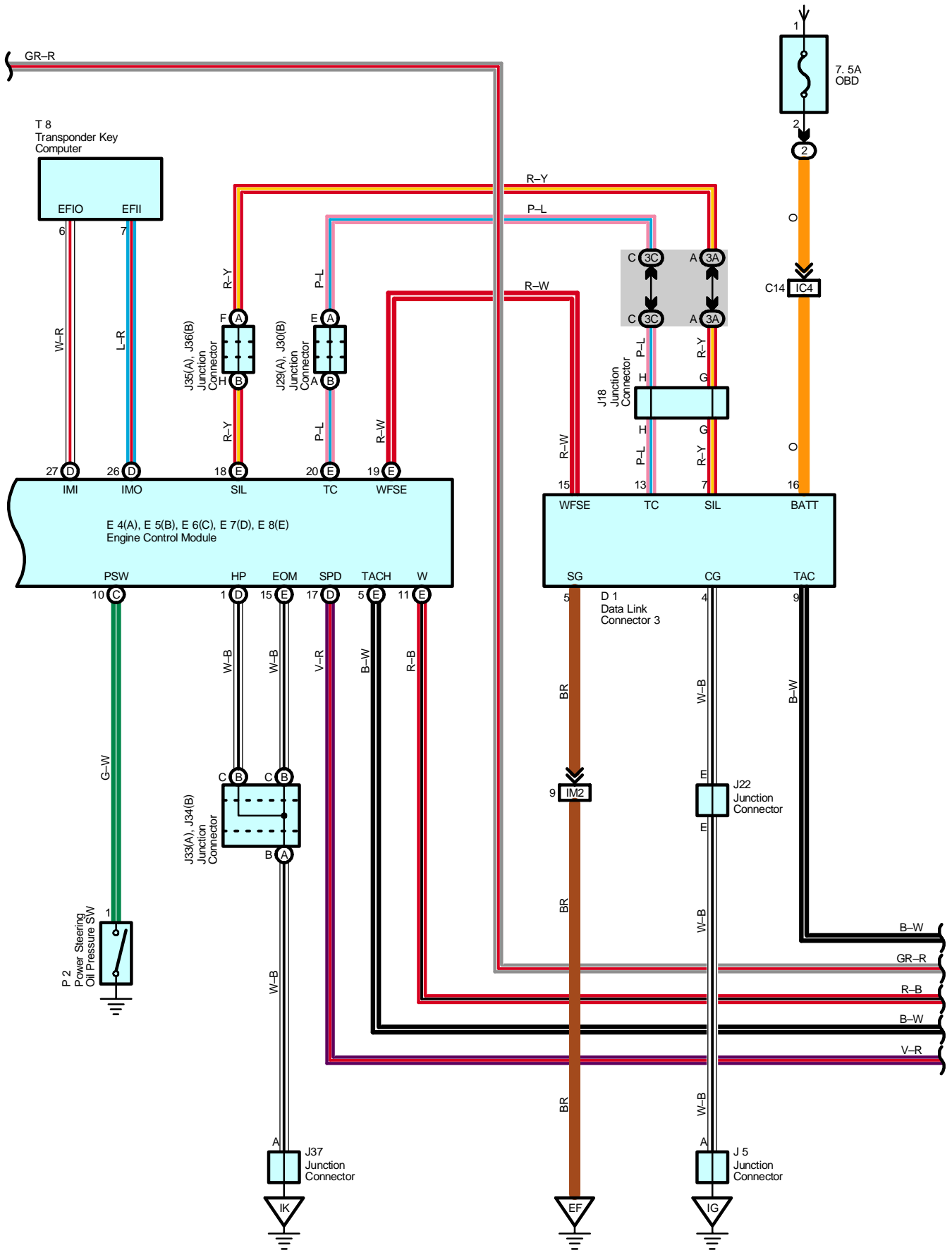
Engine Control (1GR-FE)

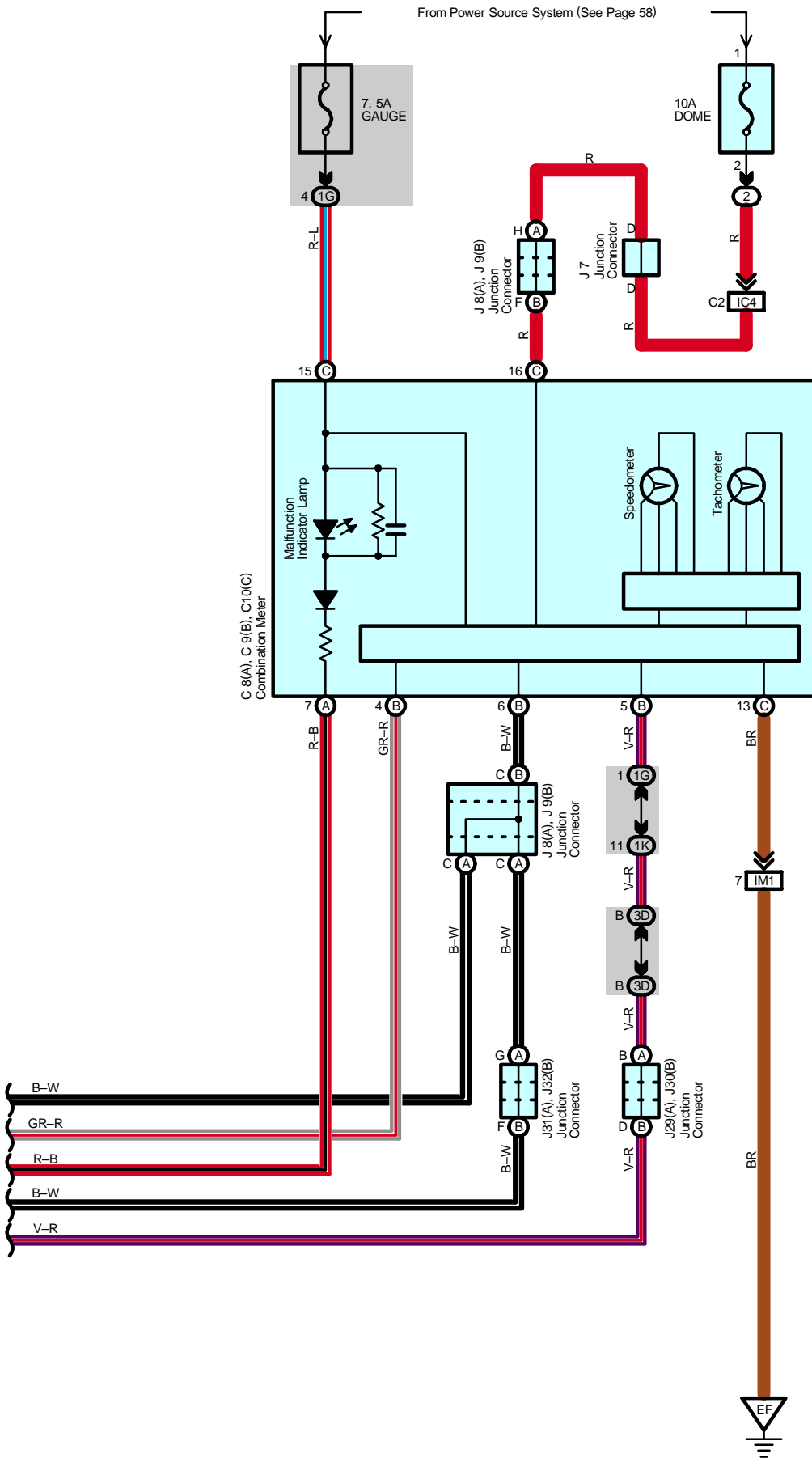




Engine Control (1GR-FE)

From Power Source System (See Page 58)





Engine Control (1GR-FE)

○ : Parts Location

Code	See Page	Code	See Page	Code	See Page
A11	34 (1GR-FE)	I1	35 (1GR-FE)	J31	A 38
A12	34 (1GR-FE)	I2	35 (1GR-FE)	J32	B 38
A13	34 (1GR-FE)	I3	35 (1GR-FE)	J33	A 38
A16	A 36	I4	35 (1GR-FE)	J34	B 38
A17	B 36	I5	35 (1GR-FE)	J35	A 38
A24	36	I6	35 (1GR-FE)	J36	B 38
A32	36	I9	35 (1GR-FE)	J37	38
C2	34 (1GR-FE)	I10	35 (1GR-FE)	J40	A 40
C3	34 (1GR-FE)	I11	35 (1GR-FE)	J41	B 40
C4	34 (1GR-FE)	I12	35 (1GR-FE)	K1	35 (1GR-FE)
C8	A 37	I13	35 (1GR-FE)	K2	35 (1GR-FE)
C9	B 37	I14	35 (1GR-FE)	M1	35 (1GR-FE)
C10	C 37	I18	37	P1	35 (1GR-FE)
D1	37	J2	35 (1GR-FE)	P2	35 (1GR-FE)
E2	34 (1GR-FE)	J4	38	S8	B 39
E4	A 37	J5	38	S9	C 39
E5	B 37	J7	38	S12	39
E6	C 37	J8	A 38	T2	35 (1GR-FE)
E7	D 37	J9	B 38	T8	39
E8	E 37	J16	38	V1	35 (1GR-FE)
F8	34 (1GR-FE)	J18	38	V2	35 (1GR-FE)
F9	A 37	J22	38	V3	35 (1GR-FE)
F10	B 37	J27	38	V4	35 (1GR-FE)
F14	40	J28	38	V8	41
H6	34 (1GR-FE)	J29	A 38	V10	41
H8	34 (1GR-FE)	J30	B 38		

○ : Relay Blocks

Code	See Page	Relay Blocks (Relay Block Location)
2	22	Engine Room R/B (Engine Compartment Left)

○ : Junction Block and Wire Harness Connector

Code	See Page	Junction Block and Wire Harness (Connector Location)
1D	24	Engine Room Main Wire and Driver Side J/B (Lower Finish Panel)
1E		
1G	25	Instrument Panel Wire and Driver Side J/B (Lower Finish Panel)
1H		
1J		
1K		
1L		
3A	28	Instrument Panel Wire and Center J/B (Instrument Panel Brace RH)
3C		
3D		
3E		

 : Connector Joining Wire Harness and Wire Harness

Code	See Page	Joining Wire Harness and Wire Harness (Connector Location)
EC1	46 (1GR-FE)	Engine Wire and Differential Wire (Near the Front Differential)
ED1	46 (1GR-FE)	Engine Wire and Sensor Wire (Rear Side of Right Bank Cylinder Block)
IB1	48	Floor No.2 Wire and Engine Room Main Wire (Left Kick Panel)
IB2		
IC3	48	Instrument Panel Wire and Engine Room Main Wire (Left Kick Panel)
IC4		
IE1	50	Instrument Panel Wire and Floor No.2 Wire (Left Kick Panel)
IK1	50	Instrument Panel Wire and Instrument Panel Wire (Left Upper Side of the Glove Box)
IL1	50	Instrument Panel Wire and Instrument Panel Wire (Right Upper Side of the Glove Box)
IM1	52	Engine Wire and Instrument Panel Wire (Right Side of Blower Unit)
IM2		
BC2	54	Frame Wire and Floor No.2 Wire (Under the Rear LH Seat)

 : Ground Points

Code	See Page	Ground Points Location
EB	46 (1GR-FE)	Front Left Fender
EE	46 (1GR-FE)	Rear Side of Right Bank Cylinder Block
EF	46 (1GR-FE)	Rear Side of Left Bank Cylinder Block
IG	48	Left Kick Panel
IK	48	Right Kick Panel
BL	54	Floor Seat Crossmember LH
BO	54	Rear Pillar LH

 : Splice Points

Code	See Page	Wire Harness with Splice Points	Code	See Page	Wire Harness with Splice Points
E6	46 (1GR-FE)	Engine Room Main Wire	E11	46 (1GR-FE)	Sensor Wire
E8	46 (1GR-FE)	Engine Wire	E13	46 (1GR-FE)	Engine Wire
E9			I1	50	Engine Room Main Wire
E10			I9	50	Engine Wire