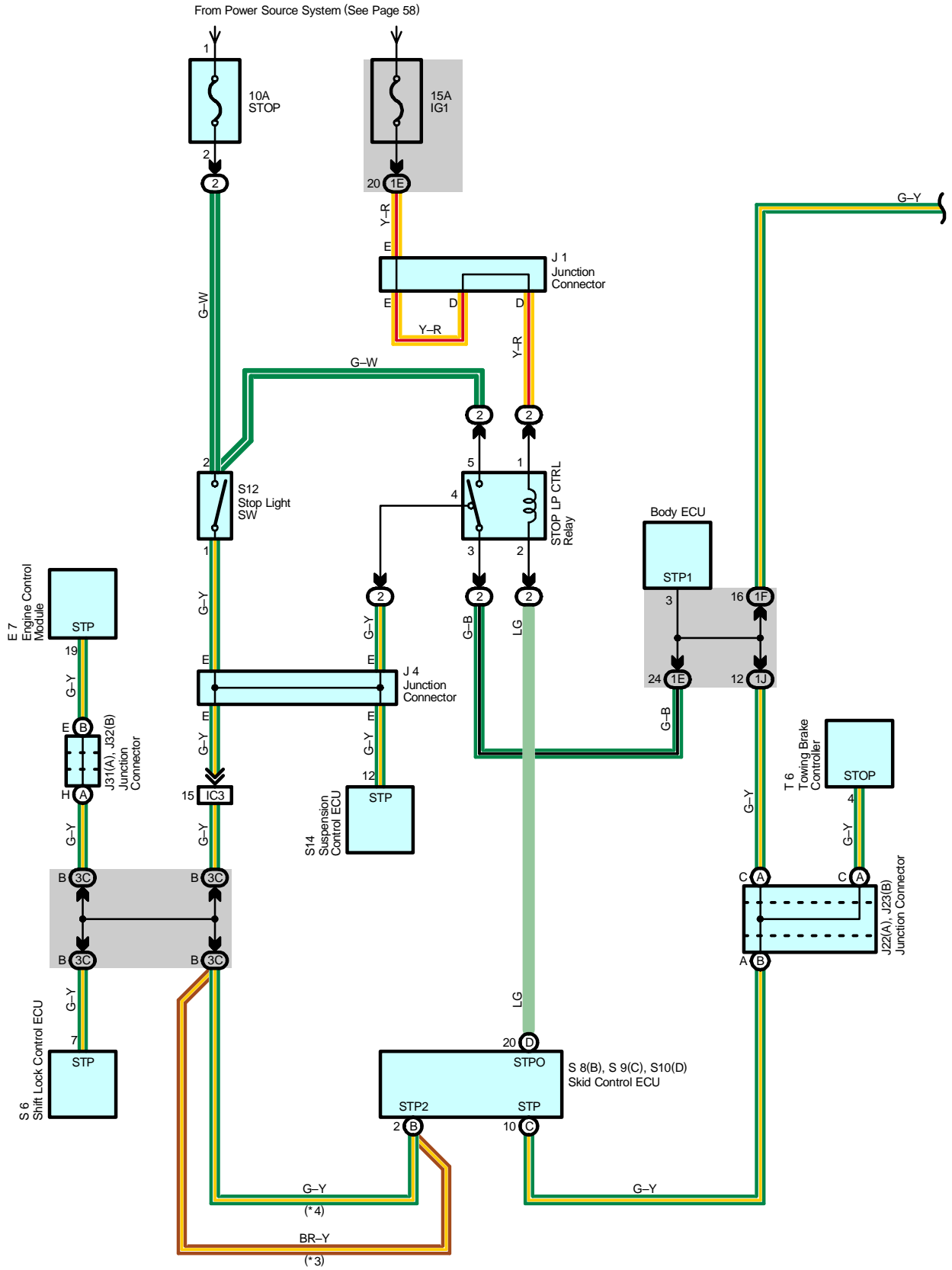
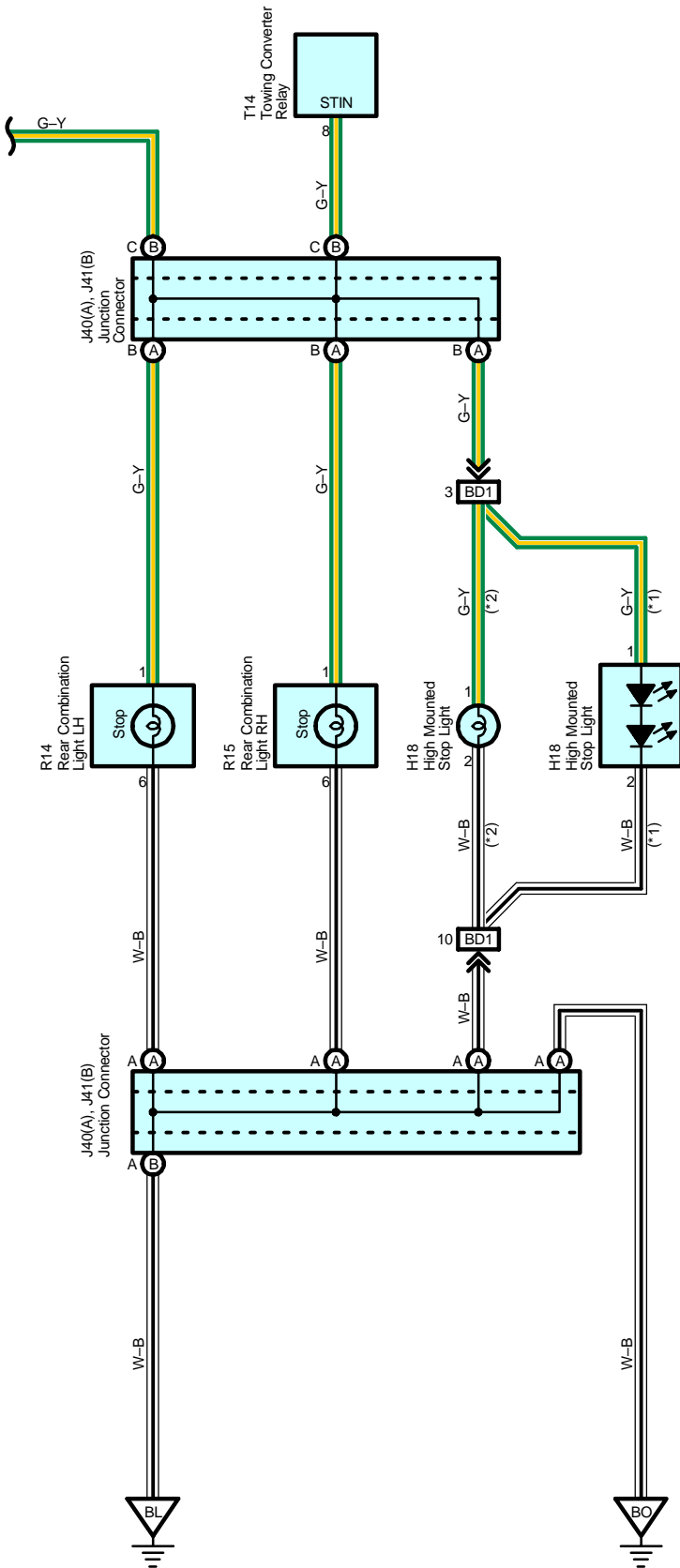


Stop Light



- * 1 : w/ Rear Spoiler
- * 2 : w/o Rear Spoiler
- * 3 : 1GR-FE 2WD
- * 4 : Except 1GR-FE 2WD



Stop Light

Service Hints

S12 Stop Light SW

2-1 : Closed with the brake pedal depressed

○ : Parts Location

Code	See Page	Code	See Page	Code	See Page
E7	37	J31	A 38	S8	B 39
H18	40	J32	B 38	S9	C 39
J1	33 (2UZ-FE)	J40	A 40	S10	D 39
	35 (1GR-FE)	J41	B 40	S12	39
J4	38	R14	41	S14	39
J22	A 38	R15	41	T6	39
J23	B 38	S6	39	T14	41

○ : Relay Blocks

Code	See Page	Relay Blocks (Relay Block Location)
2	22	Engine Room R/B (Engine Compartment Left)

○ : Junction Block and Wire Harness Connector

Code	See Page	Junction Block and Wire Harness (Connector Location)
1E	24	Engine Room Main Wire and Driver Side J/B (Lower Finish Panel)
1F	24	Floor No.2 Wire and Driver Side J/B (Lower Finish Panel)
1J	25	Instrument Panel Wire and Driver Side J/B (Lower Finish Panel)
3C	28	Instrument Panel Wire and Center J/B (Instrument Panel Brace RH)

□ : Connector Joining Wire Harness and Wire Harness

Code	See Page	Joining Wire Harness and Wire Harness (Connector Location)
IC3	48	Instrument Panel Wire and Engine Room Main Wire (Left Kick Panel)
BD1	54	Back Door No.1 Wire and Floor No.2 Wire (Left Rear Side of Roof)

▽ : Ground Points

Code	See Page	Ground Points Location
BL	54	Floor Seat Crossmember LH
BO	54	Rear Pillar LH

