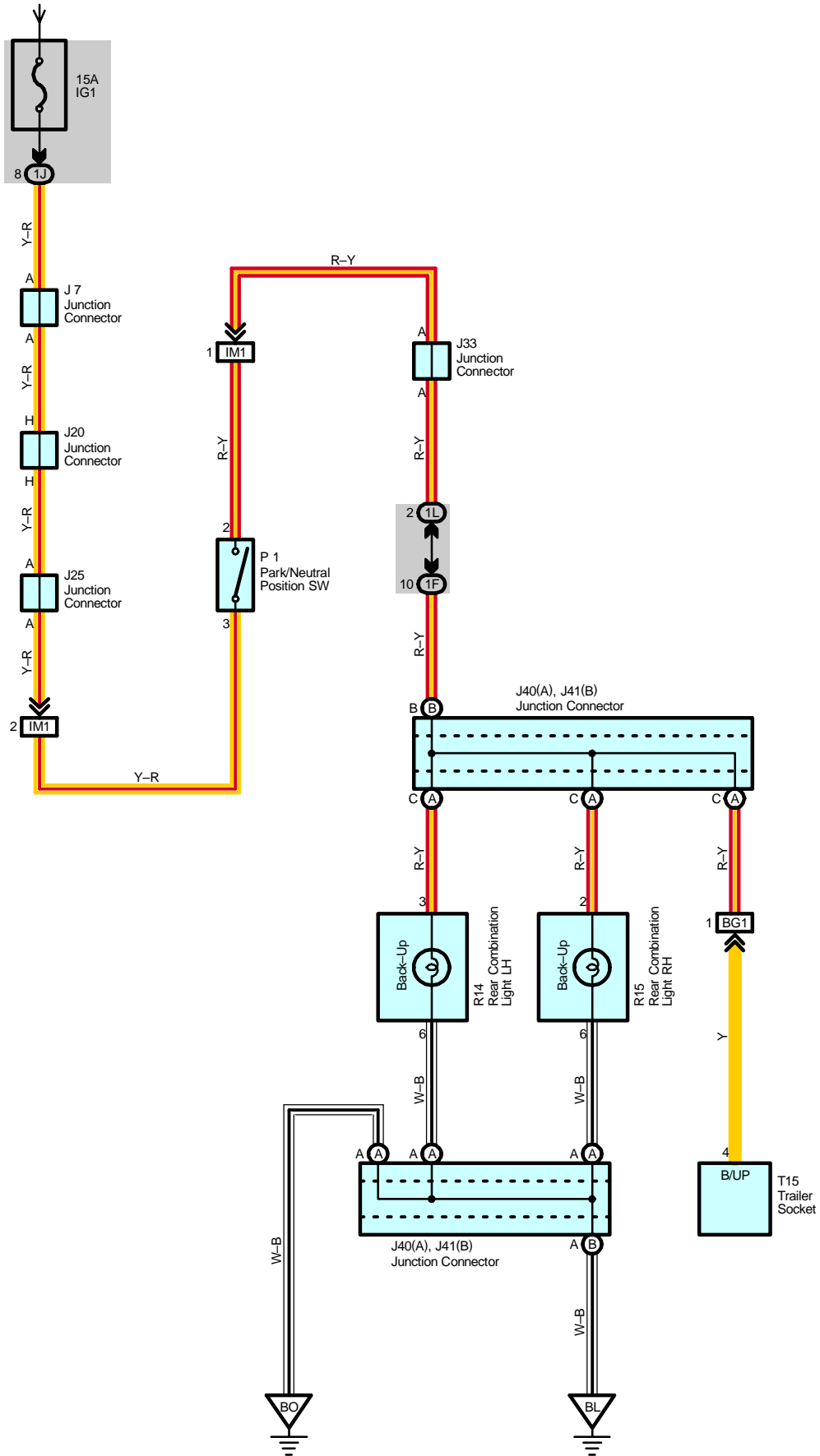


# Back-Up Light

From Power Source System (See Page 58)



### Service Hints

#### P1 Park/Neutral Position SW

3-2 : Continuity with the shift lever in R position

#### : Parts Location

Code	See Page	Code	See Page	Code	See Page
J7	38	J40	A 40	R14	41
J20	38	J41	B 40	R15	41
J25	38	P1	33 (2UZ-FE)	T15	41
J33	38		35 (1GR-FE)		

#### : Junction Block and Wire Harness Connector

Code	See Page	Junction Block and Wire Harness (Connector Location)
1F	24	Floor No.2 Wire and Driver Side J/B (Lower Finish Panel)
1J	25	Instrument Panel Wire and Driver Side J/B (Lower Finish Panel)
1L		

#### : Connector Joining Wire Harness and Wire Harness

Code	See Page	Joining Wire Harness and Wire Harness (Connector Location)
IM1	52	Engine Wire and Instrument Panel Wire (Right Side of Blower Unit)
BG1	54	Floor No.2 Wire and Frame No.3 Wire (Rear Side of Side Frame LH)

#### : Ground Points

Code	See Page	Ground Points Location
BL	54	Floor Seat Crossmember LH
BO	54	Rear Pillar LH