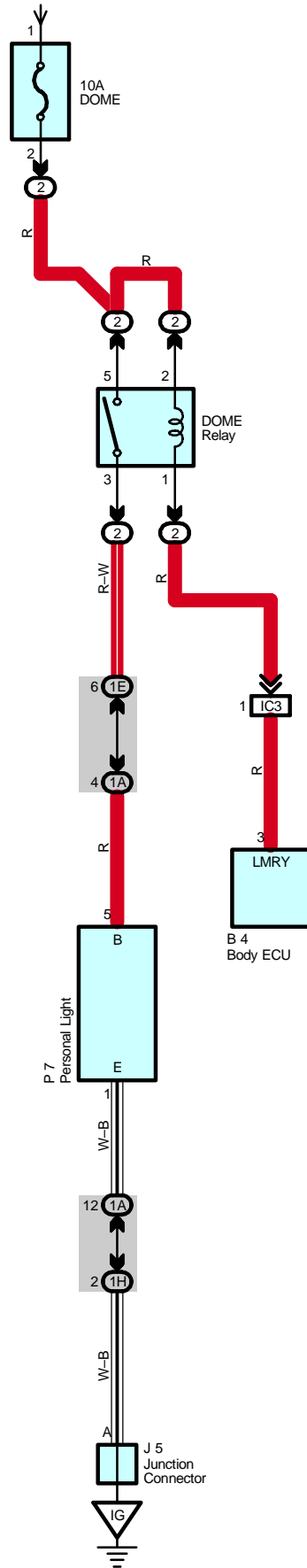


Garage Door Opener

From Power Source System (See Page 58)



Service Hints**P7 Personal Light**

1-Ground : Always continuity

 : **Parts Location**

Code	See Page	Code	See Page	Code	See Page
B4	36	J5	38	P7	41

 : **Relay Blocks**

Code	See Page	Relay Blocks (Relay Block Location)
2	22	Engine Room R/B (Engine Compartment Left)

 : **Junction Block and Wire Harness Connector**

Code	See Page	Junction Block and Wire Harness (Connector Location)
1A	24	Roof Wire and Driver Side J/B (Lower Finish Panel)
1E	24	Engine Room Main Wire and Driver Side J/B (Lower Finish Panel)
1H	25	Instrument Panel Wire and Driver Side J/B (Lower Finish Panel)

 : **Connector Joining Wire Harness and Wire Harness**

Code	See Page	Joining Wire Harness and Wire Harness (Connector Location)
IC3	48	Instrument Panel Wire and Engine Room Main Wire (Left Kick Panel)

 : **Ground Points**

Code	See Page	Ground Points Location
IG	48	Left Kick Panel