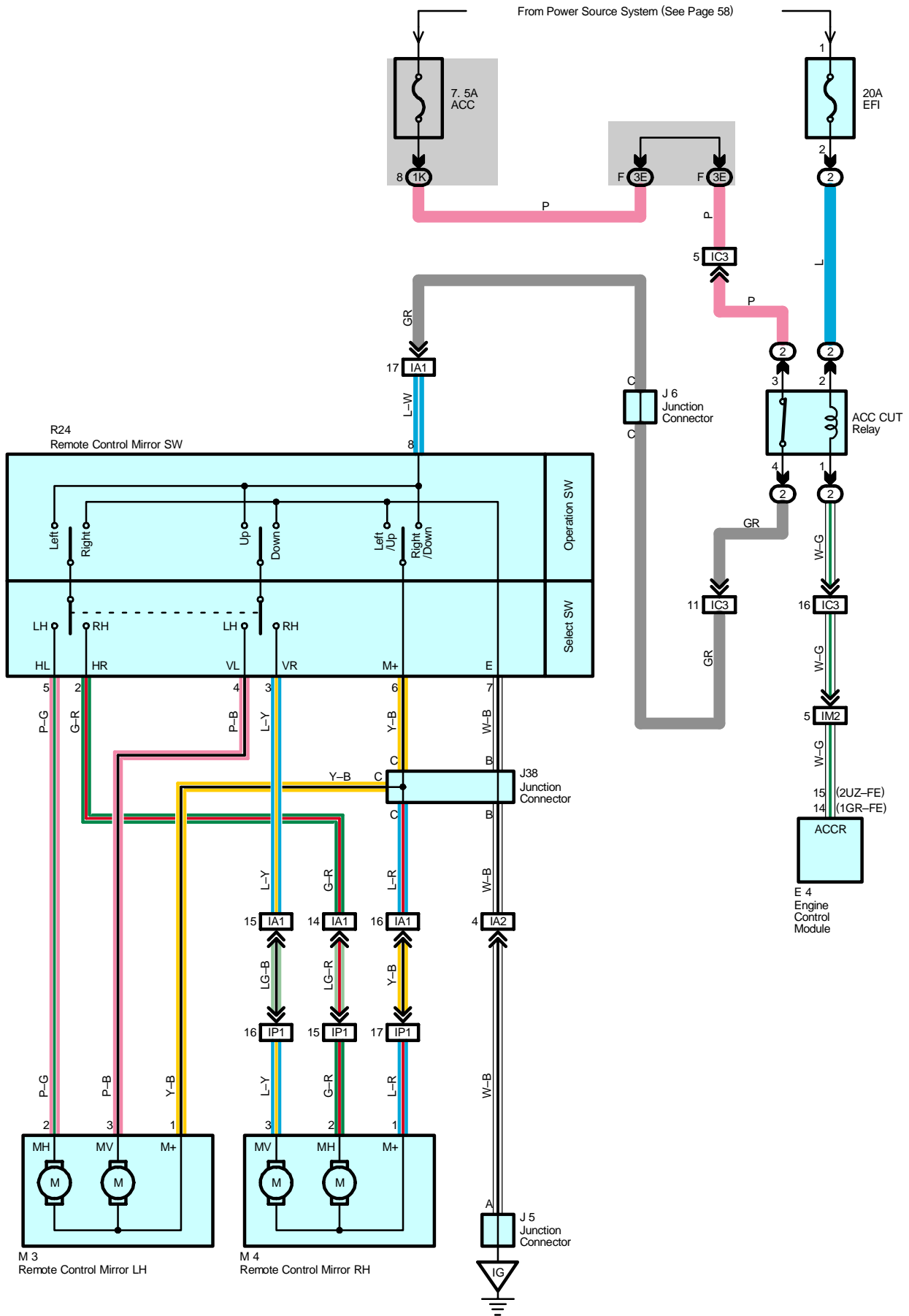


# Remote Control Mirror



## Service Hints

### R24 Remote Control Mirror SW

8-6 : Continuity with the operation SW at DOWN or RIGHT position

6-7 : Continuity with the operation SW at UP or LEFT position

8-Ground : Approx. 12 volts with the the ignition SW at ACC or ON position

7-Ground : Always continuity

### : Parts Location

Code	See Page	Code	See Page	Code	See Page
E4	<a href="#">37</a>	J38	<a href="#">40</a>	R24	<a href="#">41</a>
J5	<a href="#">38</a>	M3	<a href="#">41</a>		
J6	<a href="#">38</a>	M4	<a href="#">41</a>		

### : Relay Blocks

Code	See Page	Relay Blocks (Relay Block Location)
2	<a href="#">22</a>	Engine Room R/B (Engine Compartment Left)

### : Junction Block and Wire Harness Connector

Code	See Page	Junction Block and Wire Harness (Connector Location)
1K	<a href="#">25</a>	Instrument Panel Wire and Driver Side J/B (Lower Finish Panel)
3E	<a href="#">28</a>	Instrument Panel Wire and Center J/B (Instrument Panel Brace RH)

### : Connector Joining Wire Harness and Wire Harness

Code	See Page	Joining Wire Harness and Wire Harness (Connector Location)
IA1	<a href="#">48</a>	Front Door LH Wire and Instrument Panel Wire (Left Kick Panel)
IA2		
IC3	<a href="#">48</a>	Instrument Panel Wire and Engine Room Main Wire (Left Kick Panel)
IM2	<a href="#">52</a>	Engine Wire and Instrument Panel Wire (Right Side of Blower Unit)
IP1	<a href="#">52</a>	Front Door RH Wire and Instrument Panel Wire (Right Kick Panel)

### : Ground Points

Code	See Page	Ground Points Location
IG	<a href="#">48</a>	Left Kick Panel