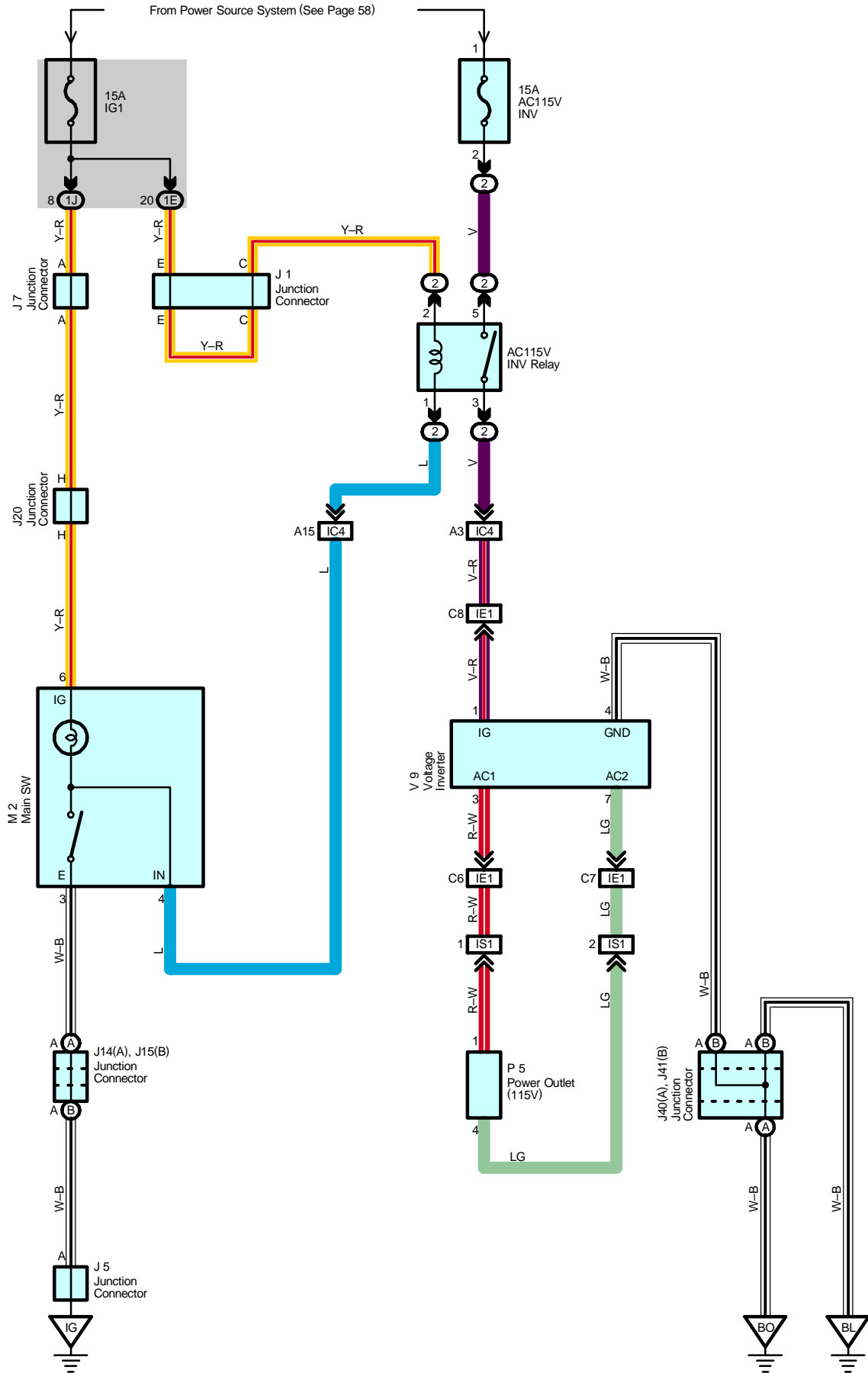


Power Outlet (115V)



Service Hints**AC115V INV Relay**

3-5 : Closed with ignition SW at ON position and main SW at on

○ : Parts Location

Code	See Page	Code	See Page	Code	See Page		
J1	33 (2UZ-FE)	J14	A	38	J41	B	40
	35 (1GR-FE)	J15	B	38	M2		39
J5	38	J20		38	P5		39
J7	38	J40	A	40	V9		41

○ : Relay Blocks

Code	See Page	Relay Blocks (Relay Block Location)
2	22	Engine Room R/B (Engine Compartment Left)

○ : Junction Block and Wire Harness Connector

Code	See Page	Junction Block and Wire Harness (Connector Location)
1E	24	Engine Room Main Wire and Driver Side J/B (Lower Finish Panel)
1J	25	Instrument Panel Wire and Driver Side J/B (Lower Finish Panel)

□ : Connector Joining Wire Harness and Wire Harness

Code	See Page	Joining Wire Harness and Wire Harness (Connector Location)
IC4	48	Instrument Panel Wire and Engine Room Main Wire (Left Kick Panel)
IE1	50	Instrument Panel Wire and Floor No.2 Wire (Left Kick Panel)
IS1	52	Instrument Panel Wire and Console Box Wire (Rear Console)

▽ : Ground Points

Code	See Page	Ground Points Location
IG	48	Left Kick Panel
BL	54	Floor Seat Crossmember LH
BO	54	Rear Pillar LH