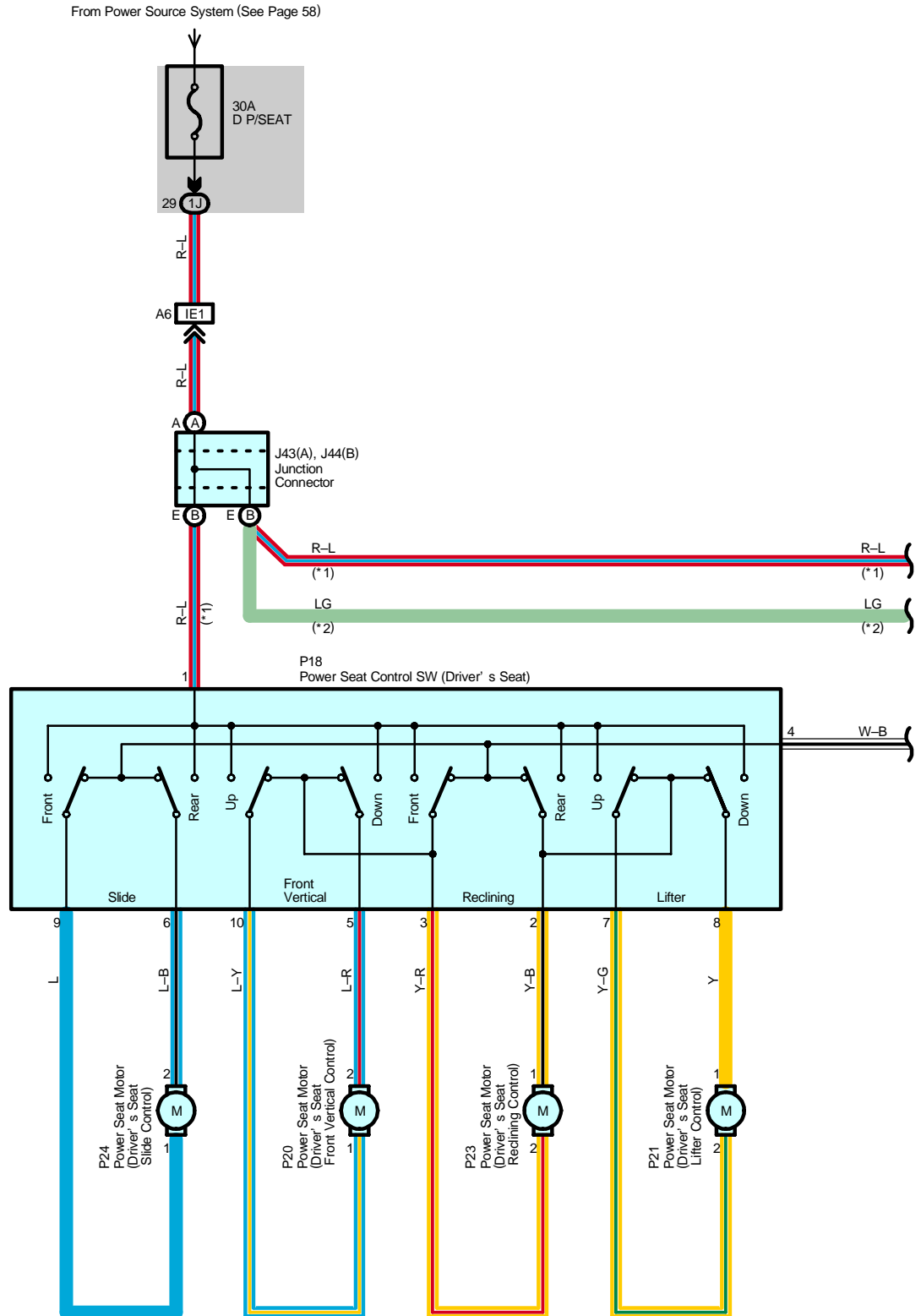
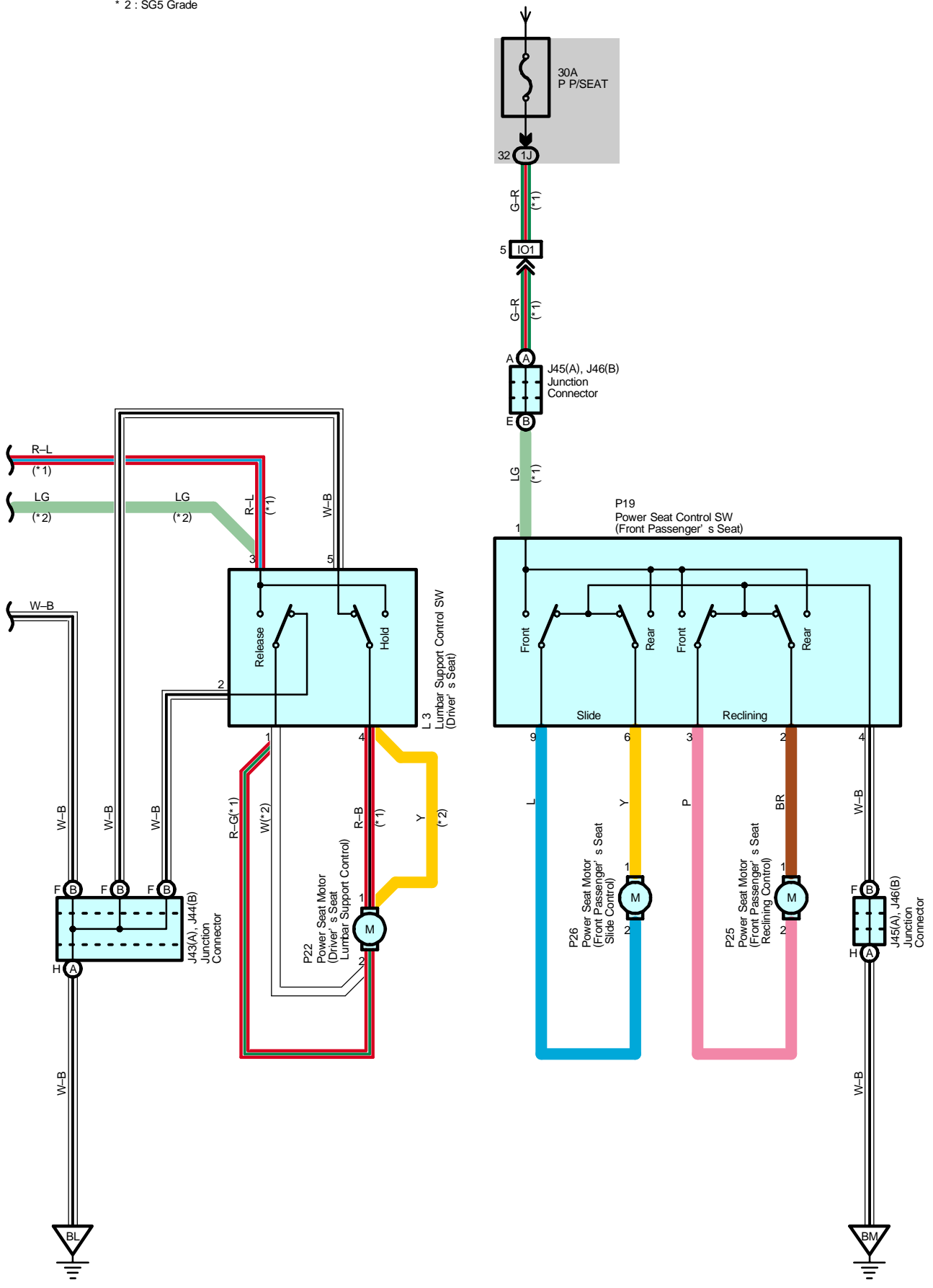


Power Seat



- * 1 : Limited
- * 2 : SG5 Grade

From Power Source System (See Page 58)



Power Seat

Service Hints

L3 Lumbar Support Control SW (Driver's Seat)

- 3-1 : Closed with the driver's seat at lumbar support release operation
- 3-4 : Closed with the driver's seat at lumbar support hold operation
- 2, 5-Ground : Always continuity

P18 Power Seat Control SW (Driver's Seat)

- 1-9 : Closed with the driver's seat at front slide operation
- 1-6 : Closed with the driver's seat at rear slide operation
- 1-3 : Closed with the driver's seat at front reclining operation
- 1-2 : Closed with the driver's seat at rear reclining operation
- 1-10 : Closed with the driver's seat at front vertical up operation
- 1-5 : Closed with the driver's seat at front vertical down operation
- 1-7 : Closed with the driver's seat at lifter up operation
- 1-8 : Closed with the driver's seat at lifter down operation
- 4-Ground : Always continuity

P19 Power Seat Control SW (Front Passenger's Seat)

- 1-9 : Closed with the front passenger's seat at front slide operation
- 1-6 : Closed with the front passenger's seat at rear slide operation
- 1-3 : Closed with the front passenger's seat at front reclining operation
- 1-2 : Closed with the front passenger's seat at rear reclining operation
- 4-Ground : Always continuity

○ : Parts Location

Code	See Page	Code	See Page	Code	See Page	
J43	A	42	P18	42	P23	42
J44	B	42	P19	42	P24	42
J45	A	42	P20	42	P25	42
J46	B	42	P21	42	P26	42
L3	42	P22	42			

○ : Junction Block and Wire Harness Connector

Code	See Page	Junction Block and Wire Harness (Connector Location)
1J	25	Instrument Panel Wire and Driver Side J/B (Lower Finish Panel)

□ : Connector Joining Wire Harness and Wire Harness

Code	See Page	Joining Wire Harness and Wire Harness (Connector Location)
IE1	50	Instrument Panel Wire and Floor No.2 Wire (Left Kick Panel)
IO1	52	Instrument Panel Wire and Floor Wire (Right Kick Panel)

▽ : Ground Points

Code	See Page	Ground Points Location
BL	54	Floor Seat Crossmember LH
BM	54	Floor Seat Crossmember RH

