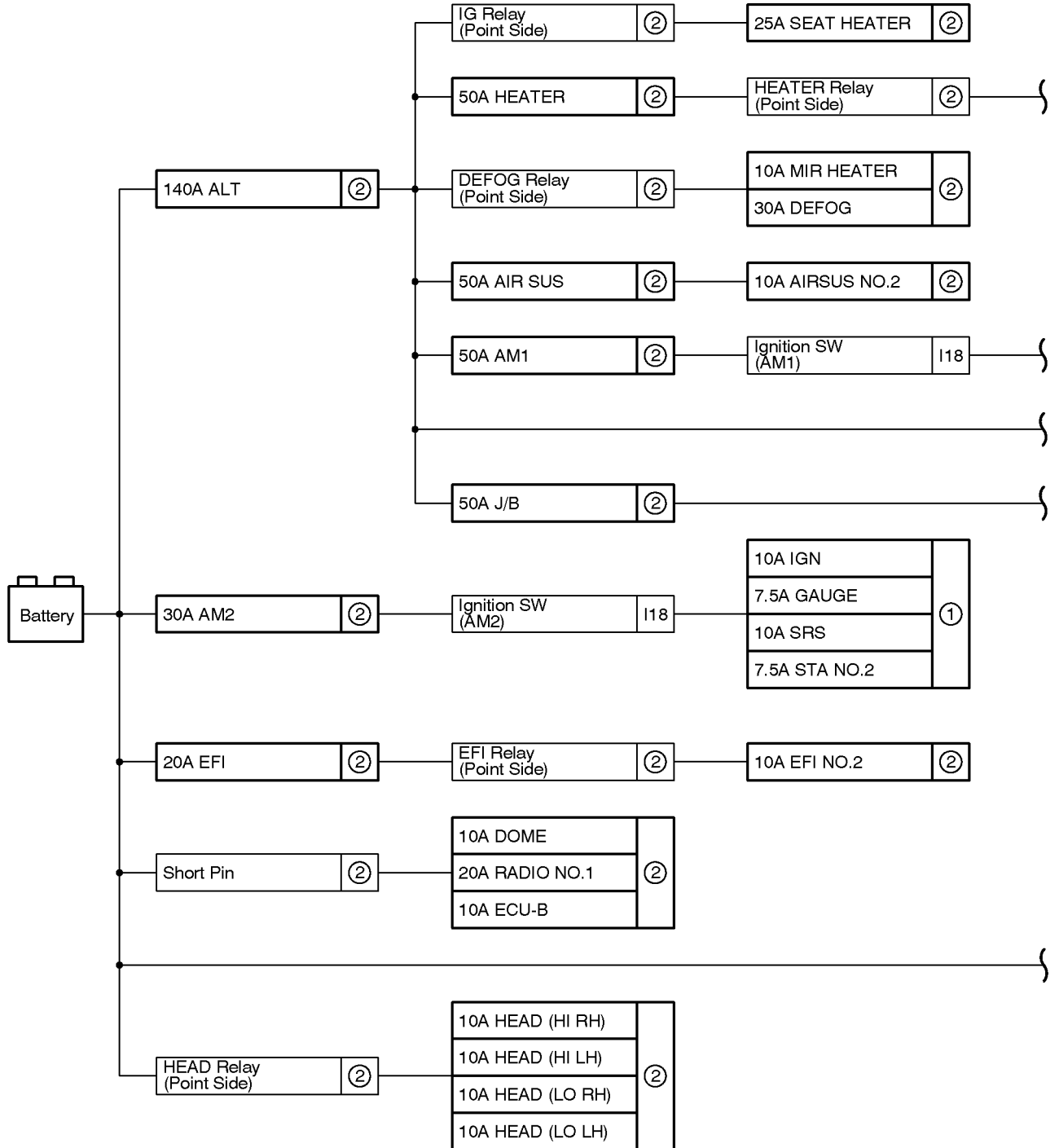
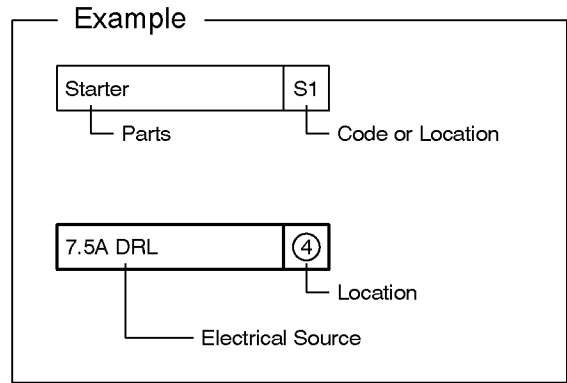
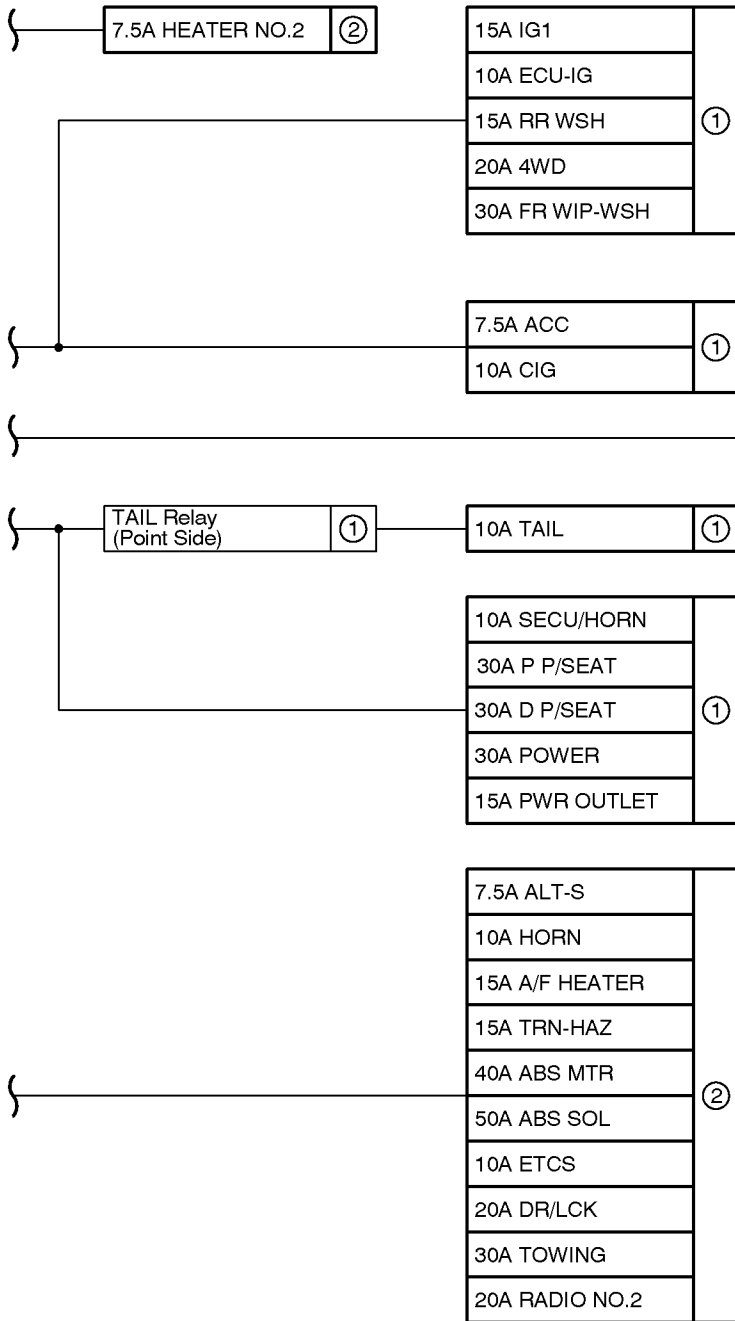


J POWER SOURCE (Current Flow Chart)

The chart below shows the route by which current flows from the battery to each electrical source (Fusible Link, Circuit Breaker, Fuse, etc.) and other Parts.





30A TOWING BRK
30A BATT CHG
40A TOWING
10A STOP
15A AC115V INV
15A FR FOG
7.5A OBD

[LOCATION]

① : Driver Side J/B (See Page 24)

② : Engine Room R/B (See Page 22)

J POWER SOURCE (Current Flow Chart)

Driver Side J/B (See Page 24)

Fuse		System	Page
7.5A	ACC	Air Conditioning	346
		Automatic Light Control	136
		Door Lock Control	200
		Engine Control (1GR-FE)	86
		Engine Control (2UZ-FE)	74
		Headlight	126
		Interior Light	150
		Key Reminder	172
		Light Auto Turn Off	138
		Multiplex Communication System	100
		Navigation System, Radio and Player (w/ Navigation System), TOYOTA Parking Assist (Rear View Monitor)	-
		Power Outlet (12V)	292
		Power Window	190
		Radio and Player (w/o Navigation System Except 6 Speaker)	328
		Radio and Player (6 Speaker)	334
		Rear Window Defogger and Mirror Heater	314
		Rear Wiper and Washer	184
		Remote Control Mirror	288
		Seat Belt Warning	174
Shift Lock	286		
Theft Deterrent	220		
Wireless Door Lock Control	210		
7.5A	GAUGE	Active Height Control Suspension and Electric Modulated Air Suspension	266
		Air Conditioning	346
		Charging	72
		Combination Meter	338
		Cruise Control (1GR-FE)	252
		Cruise Control (2UZ-FE)	246
		Door Lock Control	200
		Electronically Controlled Transmission and A/T Indicator (1GR-FE)	238
		Electronically Controlled Transmission and A/T Indicator (2UZ-FE)	230
		Engine Control (1GR-FE)	86
		Engine Control (2UZ-FE)	74
		Interior Light	150
		Key Reminder	172
		Moon Roof	282
		Multi Mode 4WD	272
		Multiplex Communication System	100
		Navigation System, Radio and Player (w/ Navigation System), TOYOTA Parking Assist (Rear View Monitor)	-
		Seat Belt Warning	174
		SRS	277

* These are the page numbers of the first page on which the related system is shown.

Fuse		System	Page
7.5A	GAUGE	Taillight and Illumination	158
		Theft Deterrent	220
		VSC	258
		Wireless Door Lock Control	210
7.5A	STA NO.2	Electronically Controlled Transmission and A/T Indicator (1GR-FE)	238
		Electronically Controlled Transmission and A/T Indicator (2UZ-FE)	230
		Engine Control (1GR-FE)	86
		Engine Control (2UZ-FE)	74
		Starting	62
10A	CIG	Cigarette Lighter	290
10A	ECU-IG	Active Height Control Suspension and Electric Modulated Air Suspension	266
		Automatic Light Control	136
		Door Lock Control	200
		Headlight	126
		Interior Light	150
		Key Reminder	172
		Light Auto Turn Off	138
		Moon Roof	282
		Multiplex Communication System	100
		Power Window	190
		Rear Window Defogger and Mirror Heater	314
		Rear Wiper and Washer	184
		Seat Belt Warning	174
		Shift Lock	286
		Theft Deterrent	220
VSC	258		
Wireless Door Lock Control	210		
10A	IGN	Air Conditioning	346
		Combination Meter	338
		Cruise Control (1GR-FE)	252
		Cruise Control (2UZ-FE)	246
		Electronically Controlled Transmission and A/T Indicator (1GR-FE)	238
		Electronically Controlled Transmission and A/T Indicator (2UZ-FE)	230
		Engine Control (1GR-FE)	86
		Engine Control (2UZ-FE)	74
		Engine Immobiliser System	96
VSC	258		
10A	SECU/HORN	Multiplex Communication System	100
		Theft Deterrent	220
		Wireless Door Lock Control	210
10A	SRS	SRS	277
10A	TAIL	Combination Meter	338
		Engine Control (1GR-FE)	86

* These are the page numbers of the first page on which the related system is shown.

J POWER SOURCE (Current Flow Chart)

Fuse		System	Page
10A	TAIL	Taillight and Illumination	158
		Trailer Towing	310
15A	IG1	Air Conditioning	346
		Automatic Glare-Resistant EC Mirror with Compass	296
		Back-Up Light	170
		Charging	72
		Cruise Control (1GR-FE)	252
		Cruise Control (2UZ-FE)	246
		Door Lock Control	200
		Electric Tension Reducer	300
		Electronically Controlled Transmission and A/T Indicator (1GR-FE)	238
		Electronically Controlled Transmission and A/T Indicator (2UZ-FE)	230
		Headlight	126
		Multi Mode 4WD	272
		Multiplex Communication System	100
		Navigation System, Radio and Player (w/ Navigation System), TOYOTA Parking Assist (Rear View Monitor)	-
		Power Outlet (115V)	294
		Rear Window Defogger and Mirror Heater	314
		Seat Belt Warning	174
Seat Heater	306		
Stop Light	166		
Taillight and Illumination	158		
Trailer Towing	310		
Turn Signal and Hazard Warning Light (w/ Daytime Running Light)	142		
Turn Signal and Hazard Warning Light (w/o Daytime Running Light)	146		
VSC	258		
15A	PWR OUTLET	Power Outlet (12V)	292
15A	RR WSH	Multiplex Communication System	100
		Rear Wiper and Washer	184
20A	4WD	Multi Mode 4WD	272
30A	D P/SEAT	Power Seat	302
30A	FR WIP-WSH	Front Wiper and Washer	180
30A	P P/SEAT	Power Seat	302
30A	POWER	Door Lock Control	200
		Moon Roof	282
		Multiplex Communication System	100
		Power Window	190
		Rear Wiper and Washer	184
		Theft Deterrent	220
Wireless Door Lock Control	210		

* These are the page numbers of the first page on which the related system is shown.

Engine Room R/B (See Page 22)

Fuse		System	Page
7.5A	ALT-S	Charging	72
7.5A	HEATER NO.2	Air Conditioning	346
7.5A	OBD	Engine Control (1GR-FE)	86
		Engine Control (2UZ-FE)	74
10A	AIRSUS NO.2	Active Height Control Suspension and Electric Modulated Air Suspension	266
10A	DOME	Active Height Control Suspension and Electric Modulated Air Suspension	266
		Air Conditioning	346
		Combination Meter	338
		Cruise Control (1GR-FE)	252
		Cruise Control (2UZ-FE)	246
		Door Lock Control	200
		Electronically Controlled Transmission and A/T Indicator (1GR-FE)	238
		Electronically Controlled Transmission and A/T Indicator (2UZ-FE)	230
		Engine Control (1GR-FE)	86
		Engine Control (2UZ-FE)	74
		Garage Door Opener	178
		Interior Light	150
		Key Reminder	172
		Light Auto Turn Off	138
		Moon Roof	282
		Multi Mode 4WD	272
		Multiplex Communication System	100
		Navigation System, Radio and Player (w/ Navigation System), TOYOTA Parking Assist (Rear View Monitor)	-
		Power Window	190
		Radio and Player (w/o Navigation System Except 6 Speaker)	328
		Radio and Player (6 Speaker)	334
		Rear Wiper and Washer	184
Seat Belt Warning	174		
Taillight and Illumination	158		
Theft Deterrent	220		
VSC	258		
Wireless Door Lock Control	210		
10A	ECU-B	Air Conditioning	346
		Automatic Light Control	136
		Door Lock Control	200
		Engine Immobiliser System	96
		Headlight	126
		Interior Light	150
		Key Reminder	172
		Light Auto Turn Off	138

* These are the page numbers of the first page on which the related system is shown.

J POWER SOURCE (Current Flow Chart)

Fuse		System	Page
10A	ECU-B	Multiplex Communication System	100
		Power Window	190
		Rear Window Defogger and Mirror Heater	314
		Rear Wiper and Washer	184
		Seat Belt Warning	174
		Theft Deterrent	220
		VSC	258
		Wireless Door Lock Control	210
10A	EFI NO.2	Electronically Controlled Transmission and A/T Indicator (2UZ-FE)	230
		Engine Control (2UZ-FE)	74
10A	ETCS	Cruise Control (1GR-FE)	252
		Cruise Control (2UZ-FE)	246
		Electronically Controlled Transmission and A/T Indicator (1GR-FE)	238
		Electronically Controlled Transmission and A/T Indicator (2UZ-FE)	230
		Engine Control (1GR-FE)	86
		Engine Control (2UZ-FE)	74
10A	HEAD (HI LH)	Front Fog Light	132
		Headlight	126
		Multiplex Communication System	100
10A	HEAD (HI RH)	Combination Meter	338
		Headlight	126
		Multiplex Communication System	100
10A	HEAD (LO LH)	Headlight	126
		Multiplex Communication System	100
10A	HEAD (LO RH)	Headlight	126
		Multiplex Communication System	100
10A	HORN	Horn	298
		Multiplex Communication System	100
		Theft Deterrent	220
		Wireless Door Lock Control	210
10A	MIR HEATER	Multiplex Communication System	100
		Rear Window Defogger and Mirror Heater	314
10A	STOP	Active Height Control Suspension and Electric Modulated Air Suspension	266
		Cruise Control (1GR-FE)	252
		Cruise Control (2UZ-FE)	246
		Electronically Controlled Transmission and A/T Indicator (1GR-FE)	238
		Electronically Controlled Transmission and A/T Indicator (2UZ-FE)	230
		Engine Control (1GR-FE)	86
		Engine Control (2UZ-FE)	74
		Multiplex Communication System	100
		Shift Lock	286
		Stop Light	166

* These are the page numbers of the first page on which the related system is shown.

Fuse		System	Page
10A	STOP	Trailer Towing	310
		VSC	258
15A	AC115V INV	Power Outlet (115V)	294
15A	A/F HEATER	Engine Control (1GR-FE)	86
15A	FR FOG	Front Fog Light	132
		Multiplex Communication System	100
15A	TRN-HAZ	Headlight	126
		Multiplex Communication System	100
		Trailer Towing	310
		Turn Signal and Hazard Warning Light (w/ Daytime Running Light)	142
		Turn Signal and Hazard Warning Light (w/o Daytime Running Light)	146
20A	DR/LCK	Door Lock Control	200
		Multiplex Communication System	100
		Power Window	190
		Theft Deterrent	220
		Wireless Door Lock Control	210
20A	EFI	Air Conditioning	346
		Cruise Control (1GR-FE)	252
		Cruise Control (2UZ-FE)	246
		Electronically Controlled Transmission and A/T Indicator (1GR-FE)	238
		Electronically Controlled Transmission and A/T Indicator (2UZ-FE)	230
		Engine Control (1GR-FE)	86
		Engine Control (2UZ-FE)	74
		Navigation System, Radio and Player (w/ Navigation System), TOYOTA Parking Assist (Rear View Monitor)	-
		Radio and Player (w/o Navigation System Except 6 Speaker)	328
		Radio and Player (6 Speaker)	334
20A	RADIO NO.1	Navigation System, Radio and Player (w/ Navigation System), TOYOTA Parking Assist (Rear View Monitor)	320
		Radio and Player (w/o Navigation System Except 6 Speaker)	328
		Radio and Player (6 Speaker)	334
20A	RADIO NO.2	Navigation System, Radio and Player (w/ Navigation System), TOYOTA Parking Assist (Rear View Monitor)	320
		Radio and Player (w/o Navigation System Except 6 Speaker)	328
25A	SEAT HEATER	Seat Heater	306
30A	AM2	Charging	72
		Engine Control (1GR-FE)	86
		Engine Control (2UZ-FE)	74
		Ignition (1GR-FE)	68
		Ignition (2UZ-FE)	64
		Starting	62
30A	BATT CHG	Trailer Towing	310

* These are the page numbers of the first page on which the related system is shown.

J POWER SOURCE (Current Flow Chart)

Fuse		System	Page
30A	DEFOG	Engine Control (1GR-FE)	86
		Multiplex Communication System	100
		Rear Window Defogger and Mirror Heater	314
30A	TOWING	Trailer Towing	310
30A	TOWING BRK	Trailer Towing	310
40A	ABS MTR	VSC	258
40A	TOWING	Trailer Towing	310
50A	ABS SOL	VSC	258
50A	AIR SUS	Active Height Control Suspension and Electric Modulated Air Suspension	266
50A	AM1	Charging	72
50A	HEATER	Air Conditioning	346
50A	J/B	Automatic Light Control	136
		Light Auto Turn Off	138
		Multiplex Communication System	100
		Taillight and Illumination	158
		Theft Deterrent	220
		Wireless Door Lock Control	210
140A	ALT	Charging	72
		Multiplex Communication System	100
		Rear Window Defogger and Mirror Heater	314
		Taillight and Illumination	158

* These are the page numbers of the first page on which the related system is shown.

