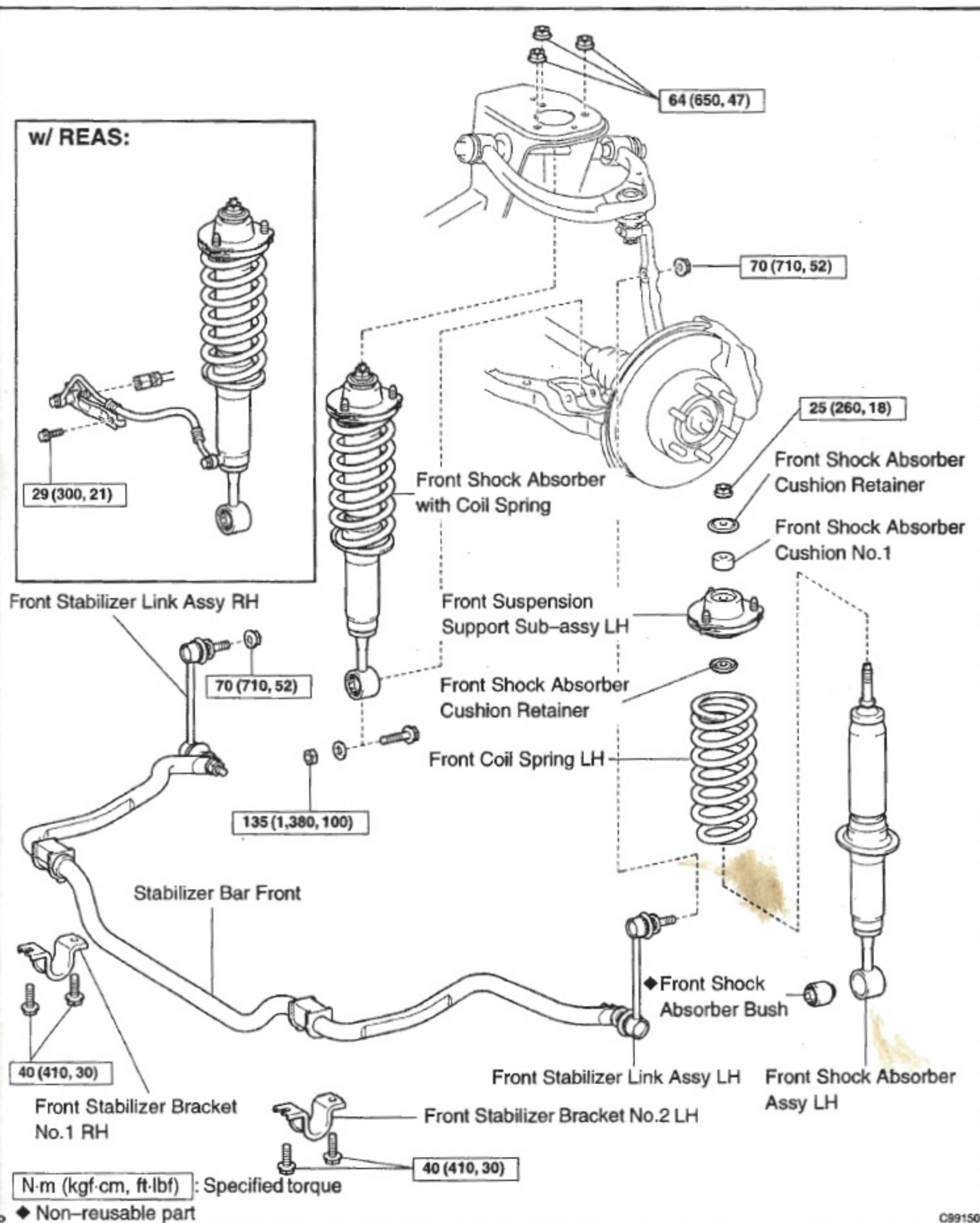
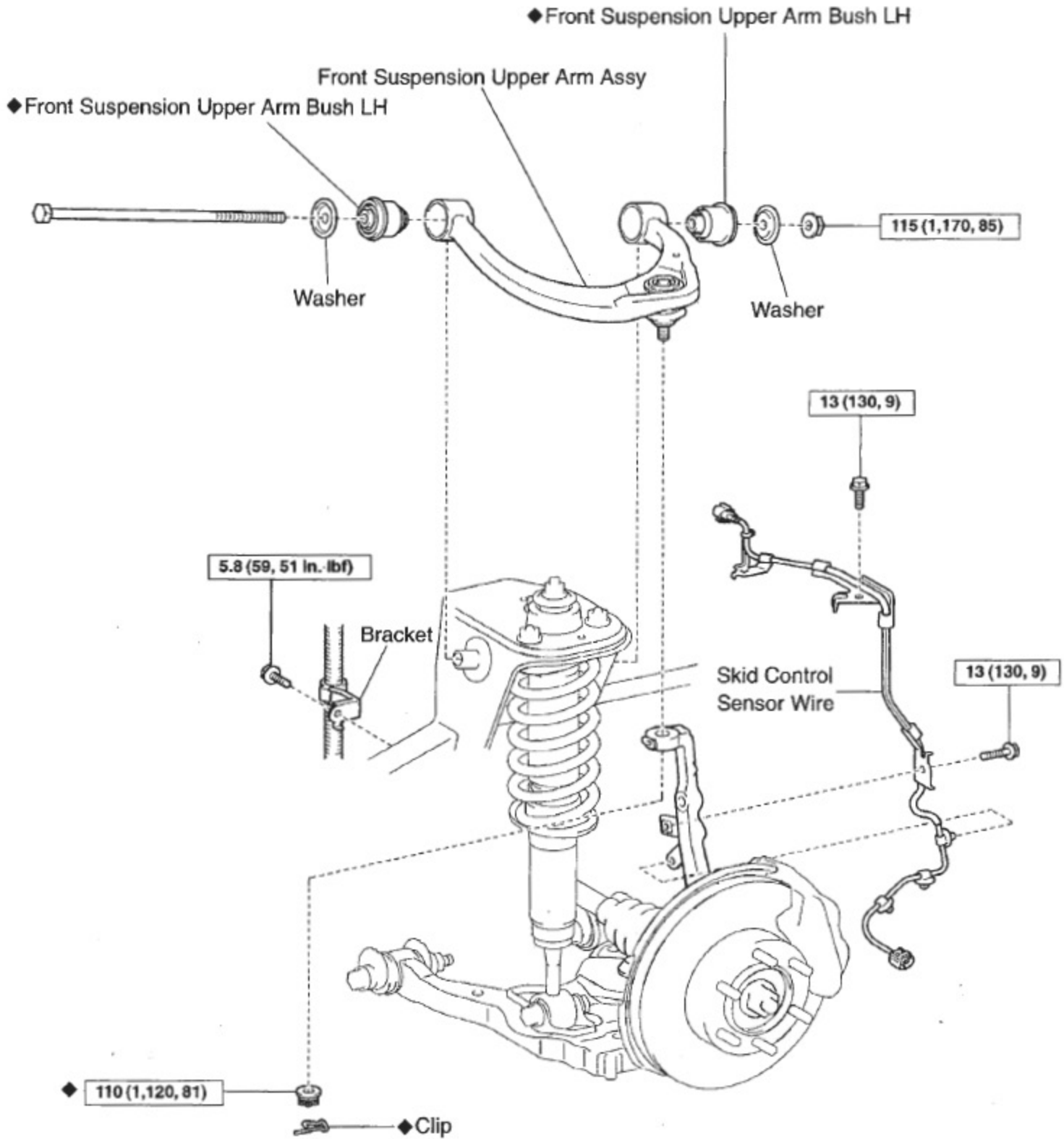


# FRONT SUSPENSION COMPONENTS

2609K-01





26

N-m (kgf-cm, ft-lbf) : Specified torque

◆ Non-reusable part

