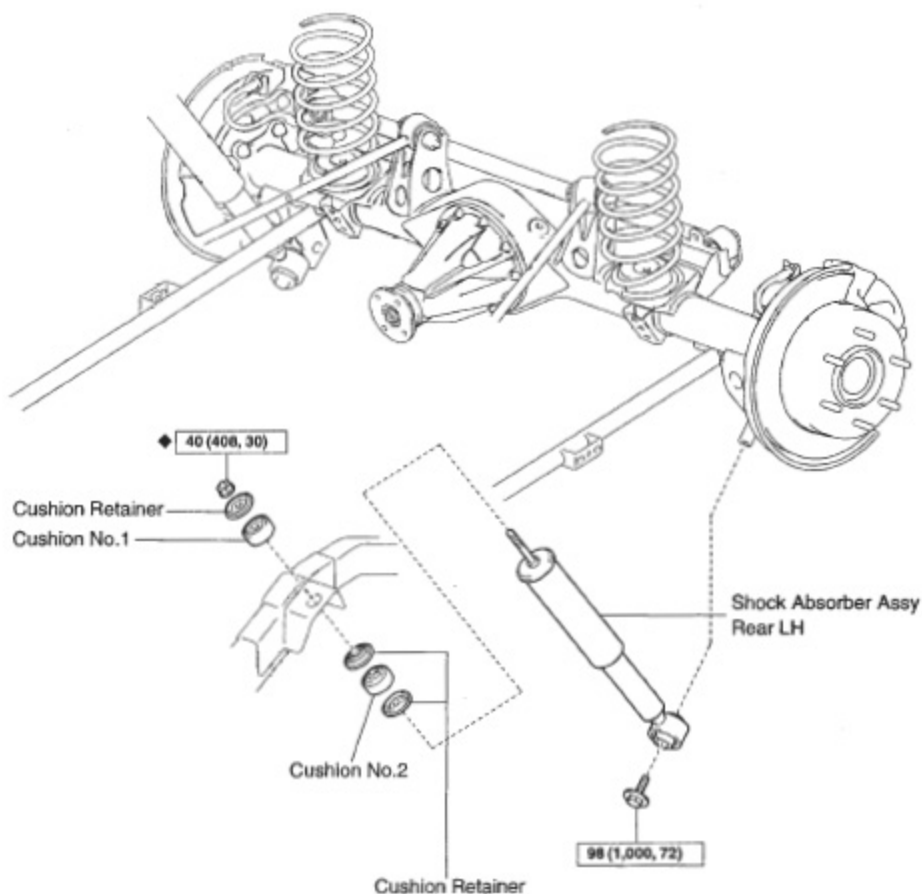


SHOCK ABSORBER ASSY REAR LH (W/O REAS) COMPONENTS

D298-01



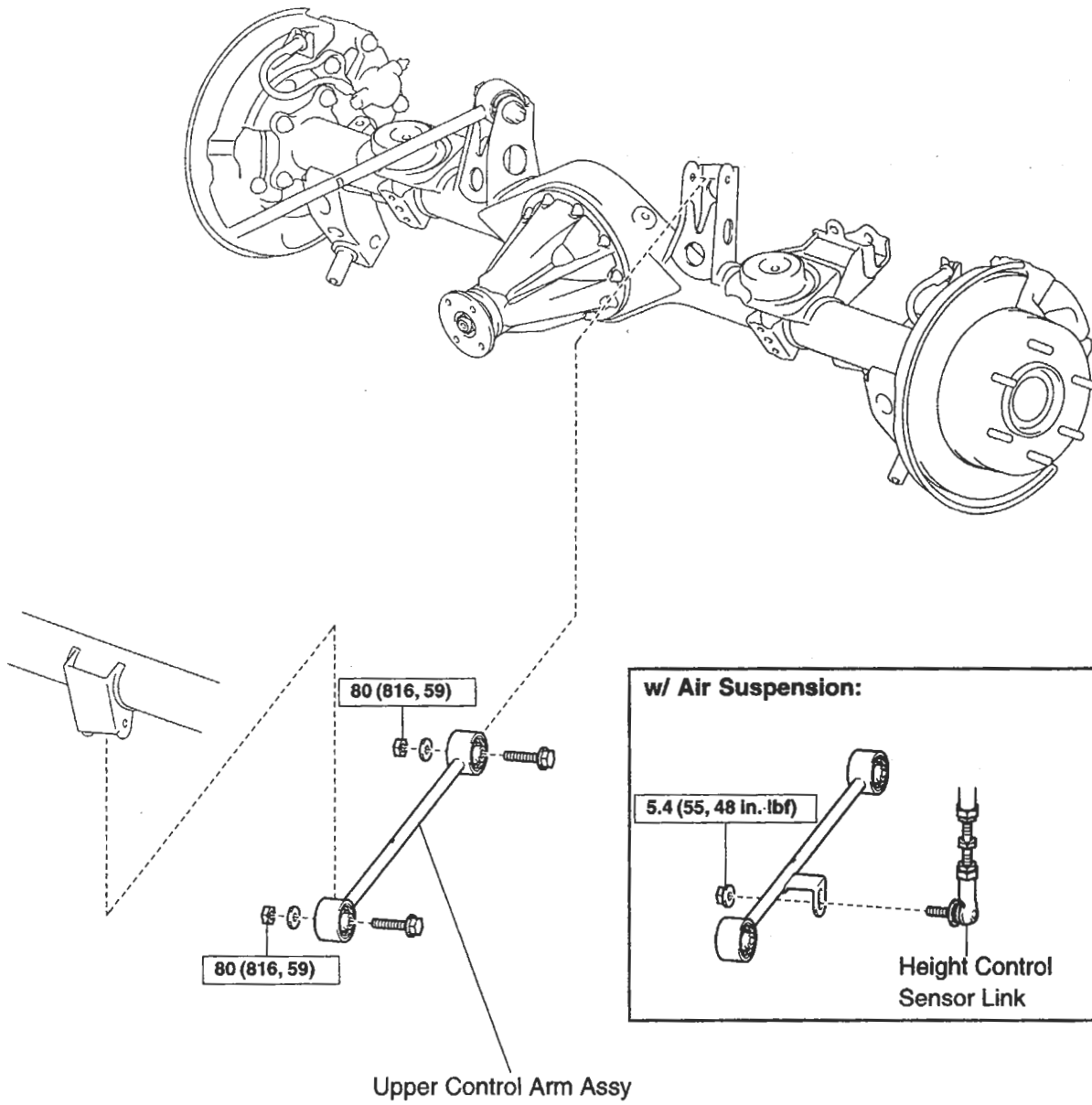
N·m (kgf·cm, ft·lbf) : Specified torque

◆ Non-reusable part

D08134

UPPER CONTROL ARM ASSY COMPONENTS

270AL-01

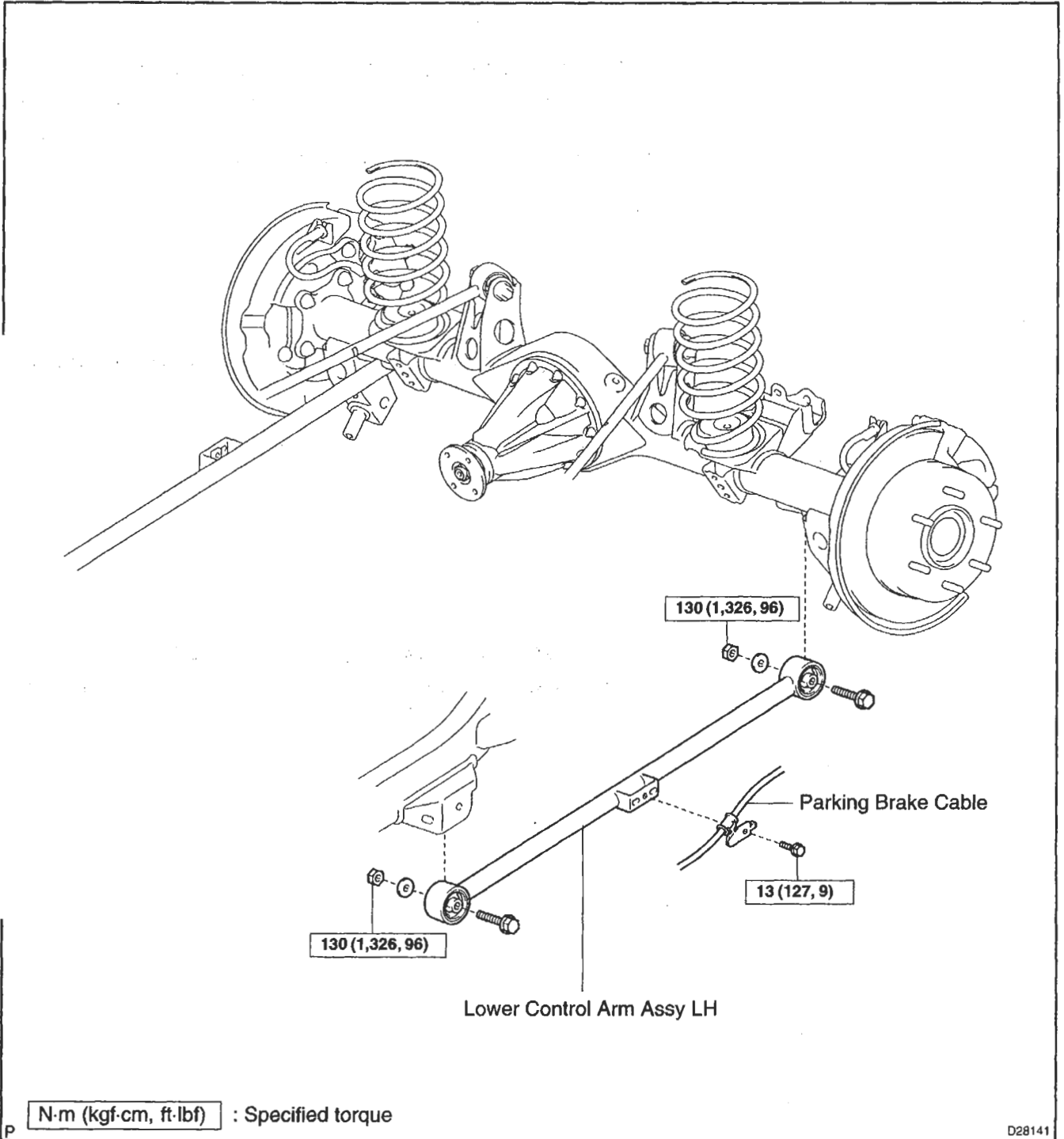


N·m (kgf·cm, ft·lbf) : Specified torque

D28136

LOWER CONTROL ARM ASSY LH COMPONENTS

270AN-01

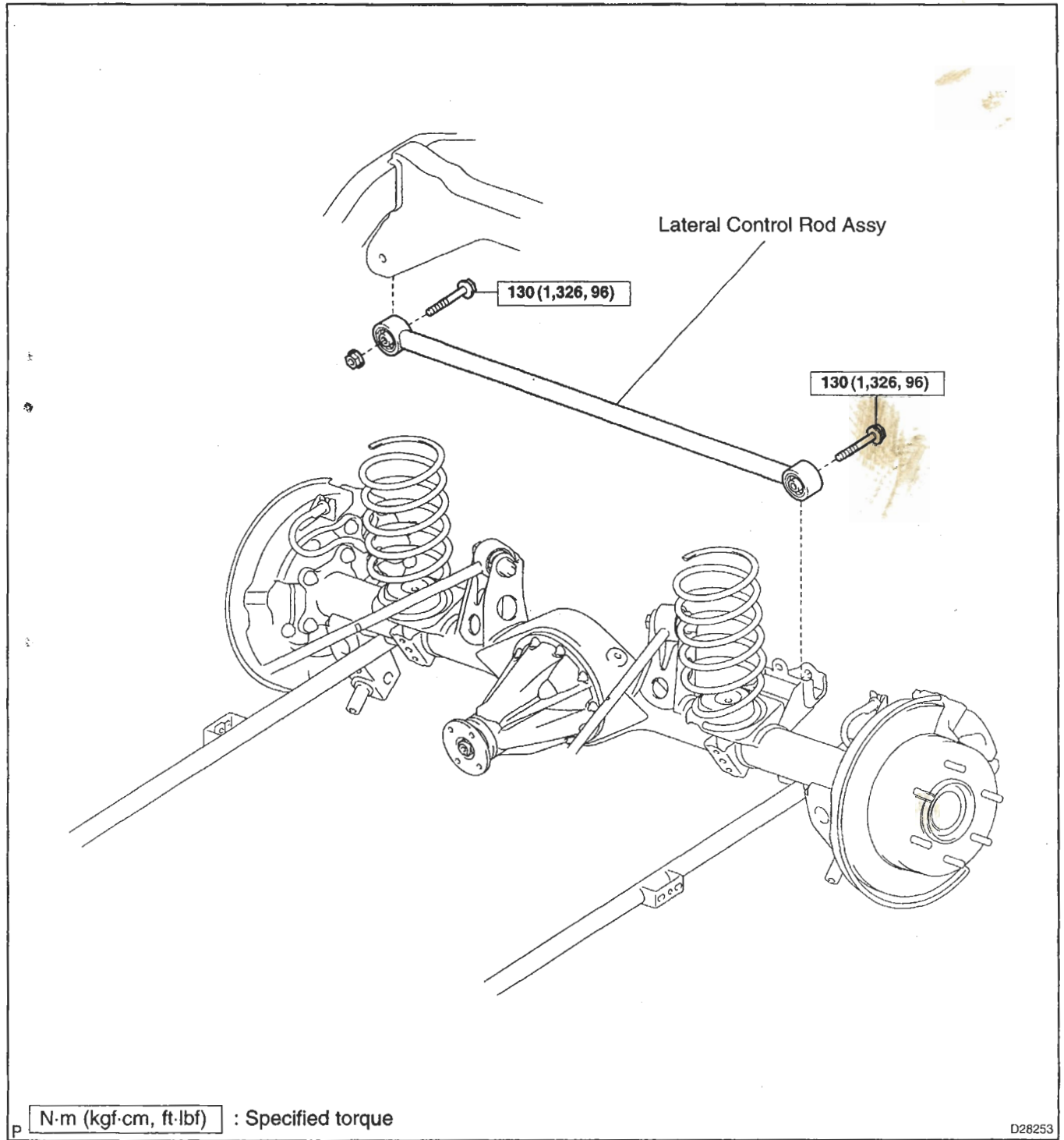


N·m (kgf·cm, ft·lbf) : Specified torque

D28141

REAR LATERAL CONTROL ROD ASSY COMPONENTS

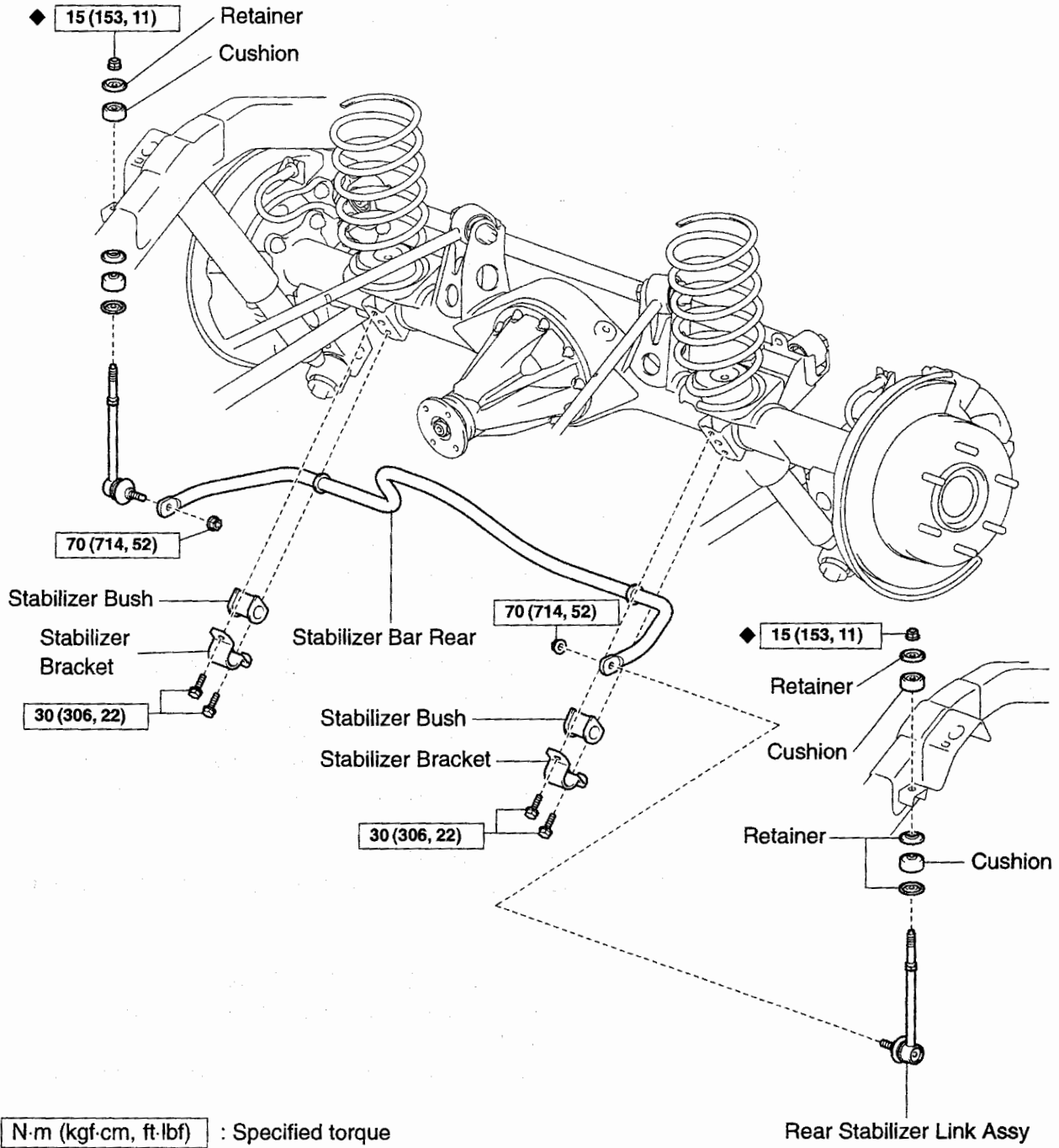
270AP-01



D28253

STABILIZER BAR REAR COMPONENTS

270AR-01



N·m (kgf·cm, ft·lbf) : Specified torque

◆ Non-reusable part

P

D28257