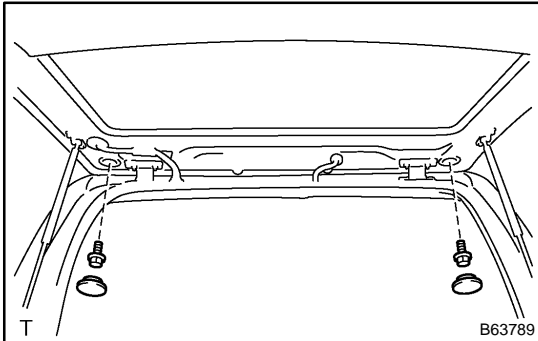
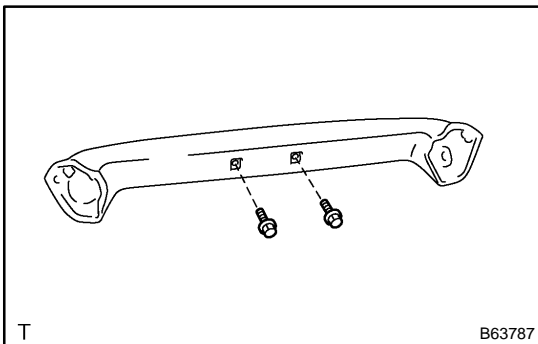


# REPLACEMENT



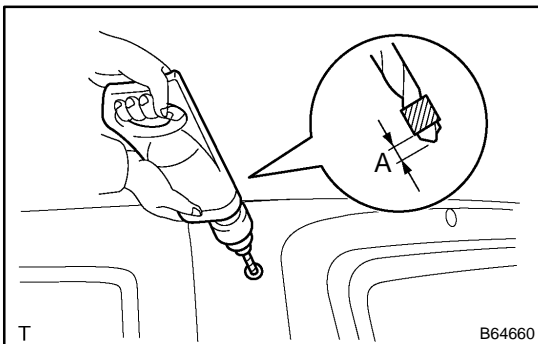
## 1. REMOVE REAR SPOILER

- (a) Remove the 2 grommets, 2 bolts and spoiler.
- (b) Disconnect the center stop lamp connector.



## 2. REMOVE CENTER STOP LAMP ASSY

- (a) Remove the 2 bolts and stop lamp assy.



## 3. REMOVE REAR SPOILER CLIP NO.1

- (a) Use a drill which tip is less than  $\phi$  4 mm (0.16 in.).
- (b) Tape the drill tip as shown in the illustration.  
**Dimension (A): 5 mm (0.20 in.)**

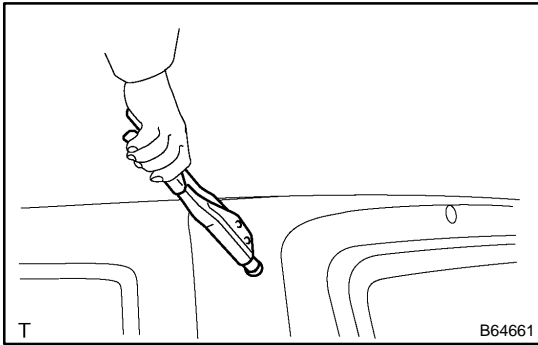
### HINT:

In order not to drill too deeply, tape the drill tip.

- (c) Gently and vertically place the drill tip onto the rivet, cut the rivet flanges, and then remove the rivet.

### NOTICE:

- **Placing the drill tip strongly will turn the rivet together with the drill, and so the rivet will not be cut.**
  - **Prizing the hole with a drill can lead to damage to the rivet hole or the drill itself.**
  - **Be careful in undertaking this task as the cut rivet is hot.**
- (d) Remove the 2 spoiler clips from the back door panel.

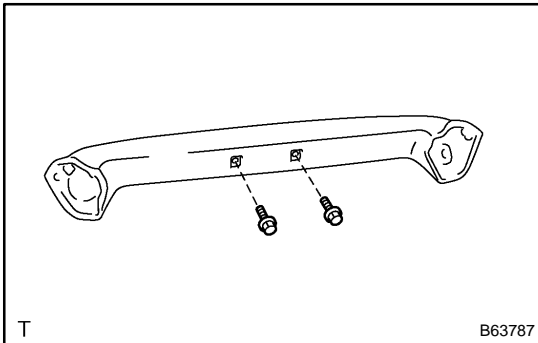


#### 4. INSTALL REAR SPOILER CLIP NO.1

- (a) Using an air riveter or hand riveter with nose piece, strike waterproof rivets of  $\phi$  4 mm into the body panel to install the 2 rear spoiler clips No.1 to the back door panel.

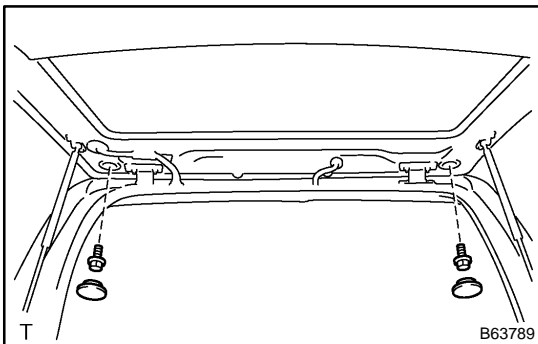
#### NOTICE:

If the rivet is not positioned perpendicularly, it will bend the mandrel.



#### 5. INSTALL CENTER STOP LAMP ASSY

- (a) Install the stop lamp assy with the 2 bolts.  
**Torque: 2.5 N·m (25 kgf·cm, 22 in.-lbf)**



#### 6. INSTALL REAR SPOILER

- (a) Connect the center stop lamp connector.  
 (b) Install the spoiler with the 2 bolts and 2 grommets.  
**Torque: 7.0 N·m (71 kgf·cm, 62 in.-lbf)**