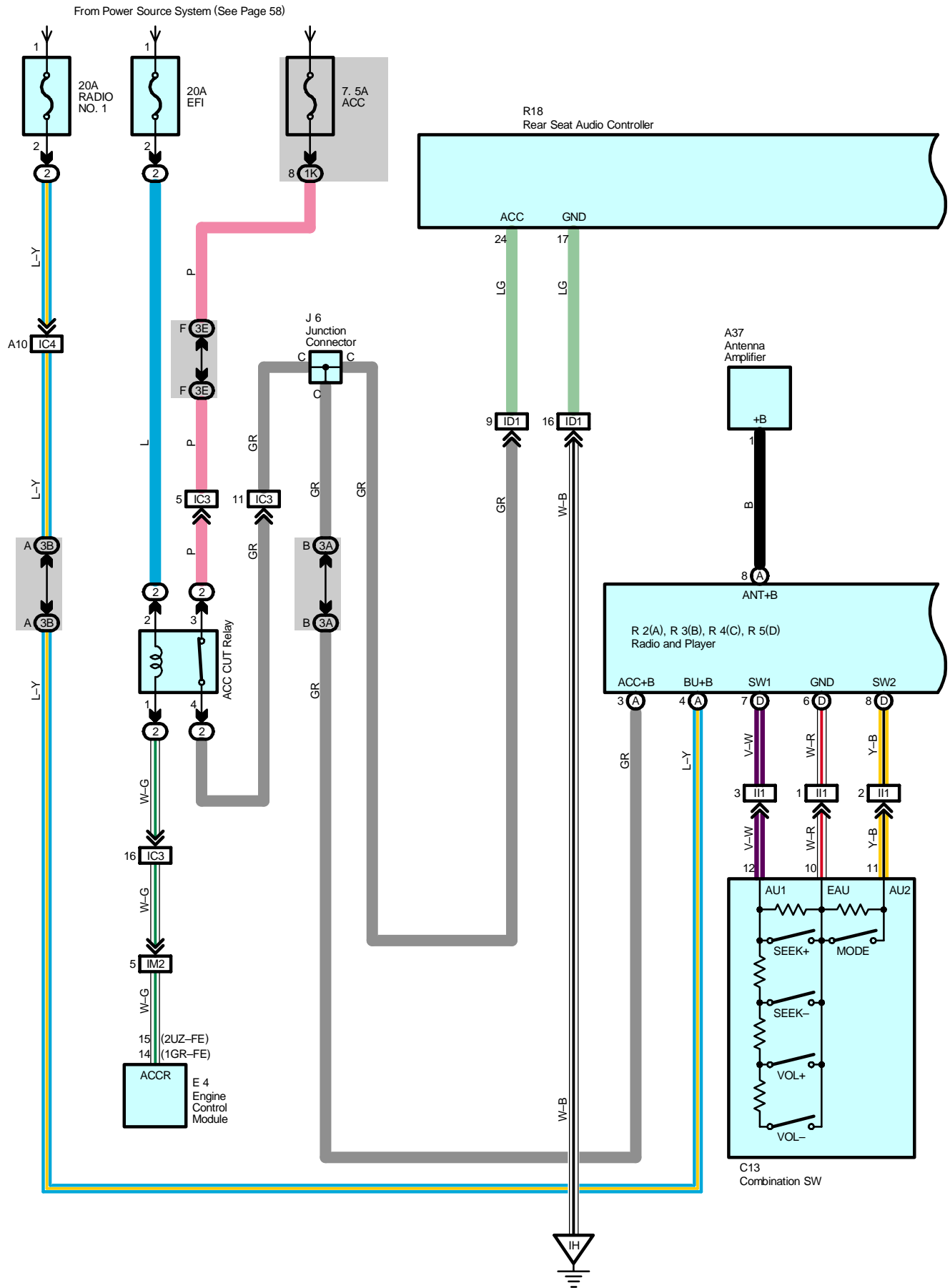
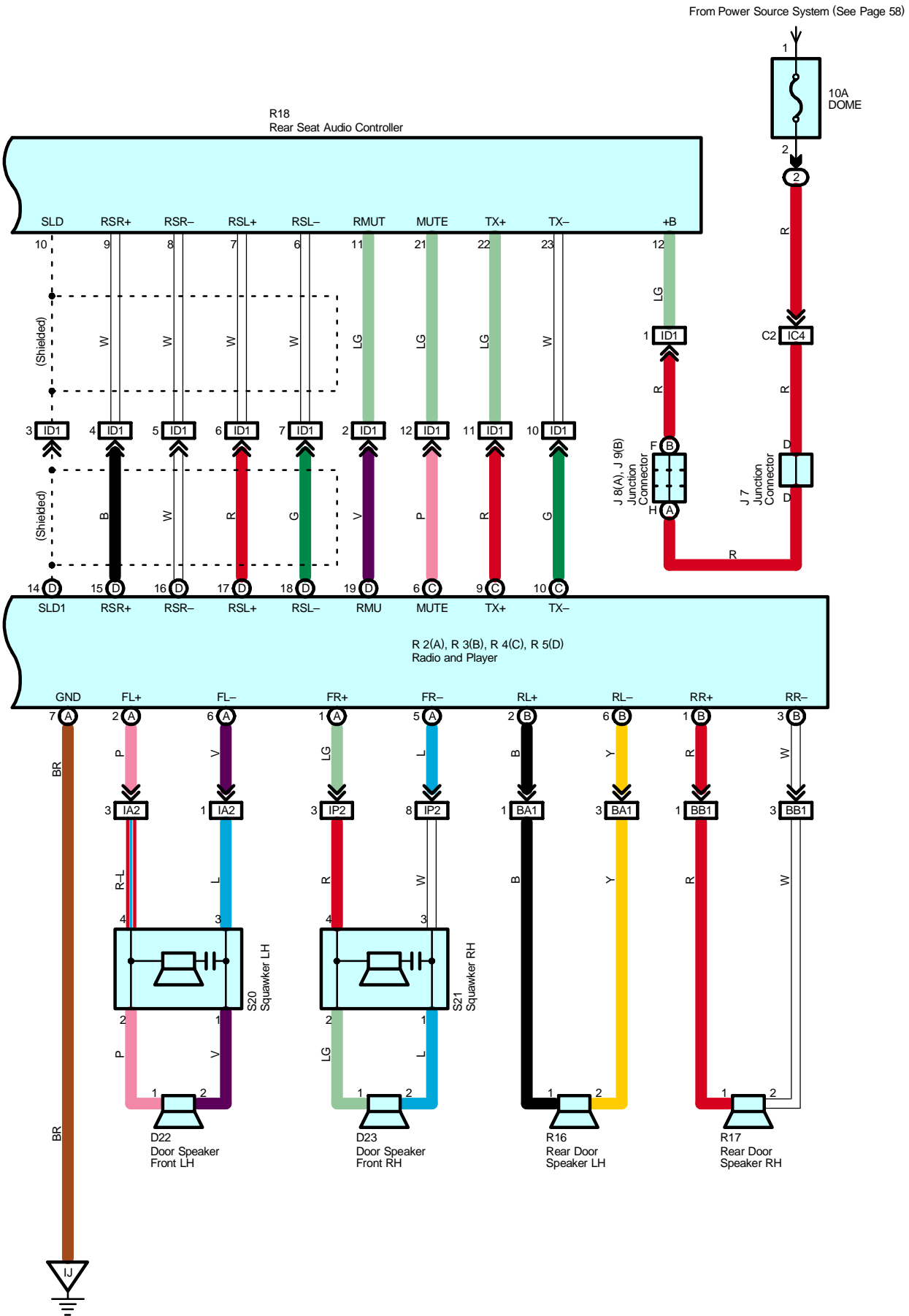


# Radio and Player (6 Speaker)





# Radio and Player (6 Speaker)

## Service Hints

### R2 (A) Radio and Player

- (A) 3—Ground : Approx. 12 volts with ignition SW at ACC or ON position
- (A) 4—Ground : Always approx. 12 volts
- (A) 7—Ground : Always continuity

## ○ : Parts Location

Code	See Page	Code	See Page	Code	See Page
A37	36	J7	38	R5   D	39
C13	37	J8   A	38	R16	41
D22	40	J9   B	38	R17	41
D23	40	R2   A	39	R18	41
E4	37	R3   B	39	S20	41
J6	38	R4   C	39	S21	41

## ○ : Relay Blocks

Code	See Page	Relay Blocks (Relay Block Location)
2	22	Engine Room R/B (Engine Compartment Left)

## ○ : Junction Block and Wire Harness Connector

Code	See Page	Junction Block and Wire Harness (Connector Location)
1K	25	Instrument Panel Wire and Driver Side J/B (Lower Finish Panel)
3A	28	Instrument Panel Wire and Center J/B (Instrument Panel Brace RH)
3B		
3E		

## □ : Connector Joining Wire Harness and Wire Harness

Code	See Page	Joining Wire Harness and Wire Harness (Connector Location)
IA2	48	Front Door LH Wire and Instrument Panel Wire (Left Kick Panel)
IC3	48	Instrument Panel Wire and Engine Room Main Wire (Left Kick Panel)
IC4		
ID1	48	Radio Installation Sub Assy Wire and Instrument Panel Wire (Left Kick Panel)
II1	50	Instrument Panel Wire and Instrument Panel Wire (Instrument Panel Brace LH)
IM2	52	Engine Wire and Instrument Panel Wire (Right Side of Blower Unit)
IP2	52	Front Door RH Wire and Instrument Panel Wire (Right Kick Panel)
BA1	54	Rear Door No.2 Wire and Instrument Panel Wire (Left Center Pillar)
BB1	54	Rear Door No.1 Wire and Instrument Panel Wire (Right Center Pillar)

## ▽ : Ground Points

Code	See Page	Ground Points Location
IH	48	Instrument Panel Brace LH
IJ	48	Instrument Panel Brace RH

